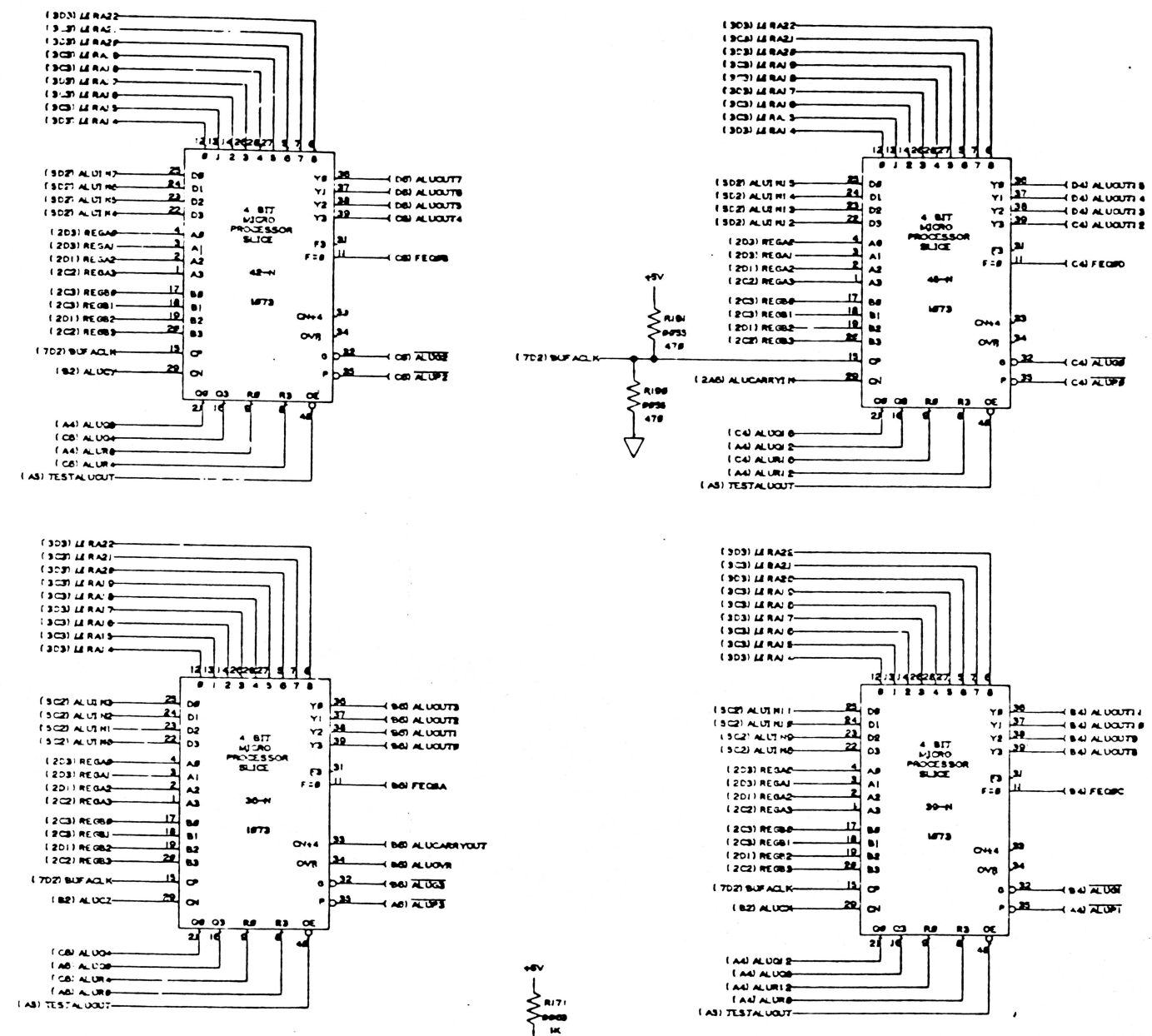
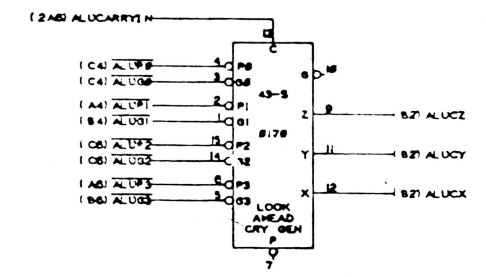


REVISIONS			
REV	DESCRIPTION	DRFTG	APP BY DATE



SPARE GATES

8700	83-J	08
8707	83-N	01
8305	85-W	01
8788	85-B	01
8028	87-J	02
8150	87-A1	03
8087	83-B	01
8036	80-F	01
8537	80-S	01
8208	80AM	02
8172	80AN	01
1201	11AN	01
8728	13AU	08
8133	15-H	02
8205	15AR	02
1152	16AU	02
8417	17AN	08
8178	18-W	01
8537	21AN	01
8388	21AR	01
8780	27-F	01
8385	29-S	02
8327	33-S	01
1238	33-W	01
8578	38-F	01
8528	48-F	01
8417	41-S	01
8478	43-W	01



005-12411-T
 005-12413-T
 005-12415-T

CHART	UNTESTED	TESTED
80W	895-12418	895-12411
180W	895-12412	895-12413
320W	895-12414	895-12415

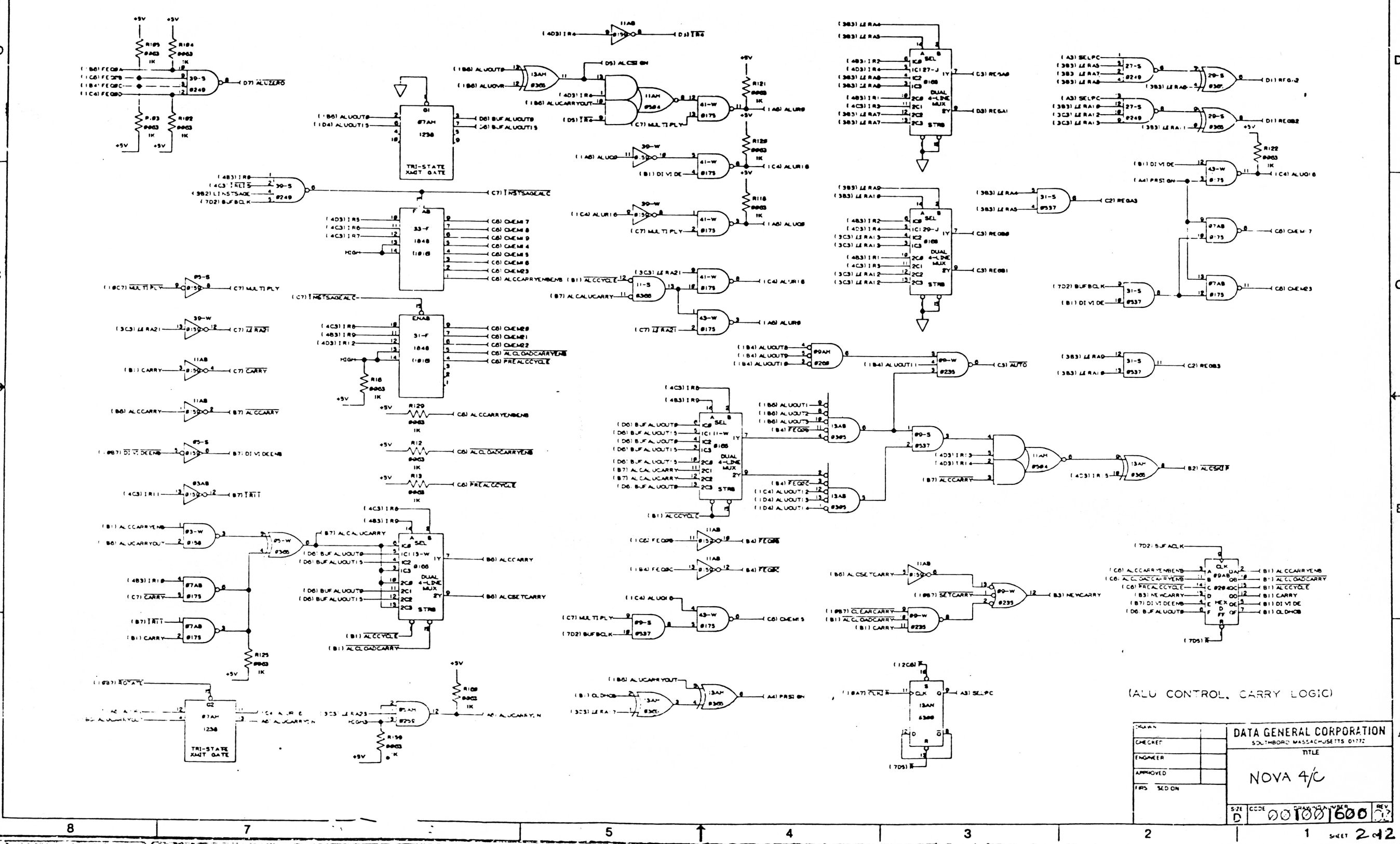
ARTWORK	DATE	BY
ARTWORK VS SCHEMATIC		
REV SCHEMATIC REVISED		

DATA GENERAL CORPORATION	
SOUTHBRIDGE MASSACHUSETTS 01772	
TITLE	
NOVA 4/C	
DATE	CODE
8	00100160000

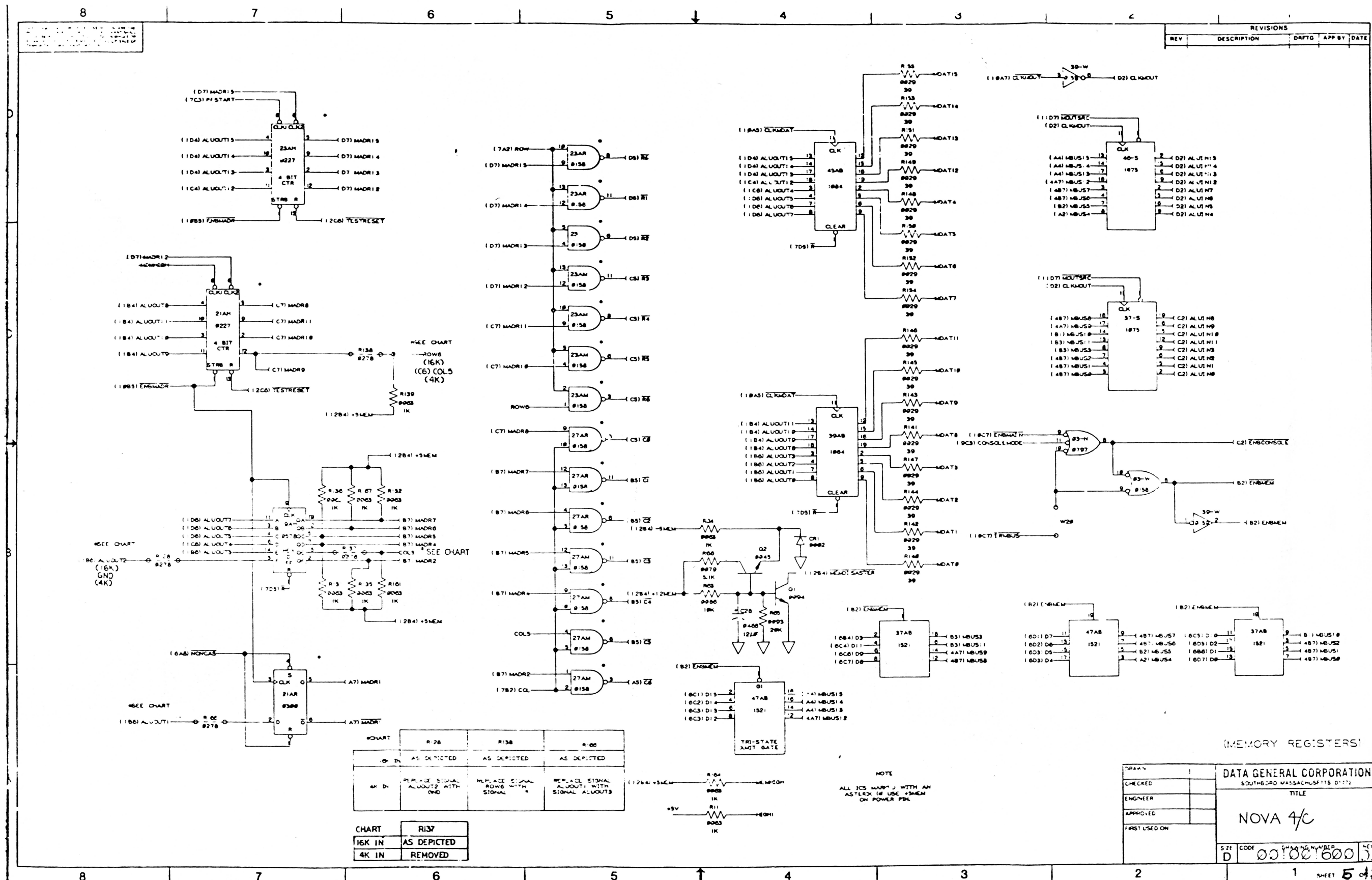
REVISIONS			
REV	DESCRIPTION	DRFTG	APP BY DATE

8

D
C
B
A



DESIGN		DATA GENERAL CORPORATION SOLTBORO MASSACHUSETTS 01772 TITLE NOVA 4/C 521 CODE 001001600 REV D
CHECKED		
ENGINEER		
APPROVED		
FRS SED ON		



REVISIONS			
REV	DESCRIPTION	DRFTG	APP BY DATE

CHART	R-28	R-38	R-60
IN	AS DEPICTED	AS DEPICTED	AS DEPICTED
4K IN	REPLACE SIGNAL ALUOUT2 WITH GND	REPLACE SIGNAL ROWS WITH SIGNAL	REPLACE SIGNAL ALUOUT1 WITH SIGNAL ALUOUT3

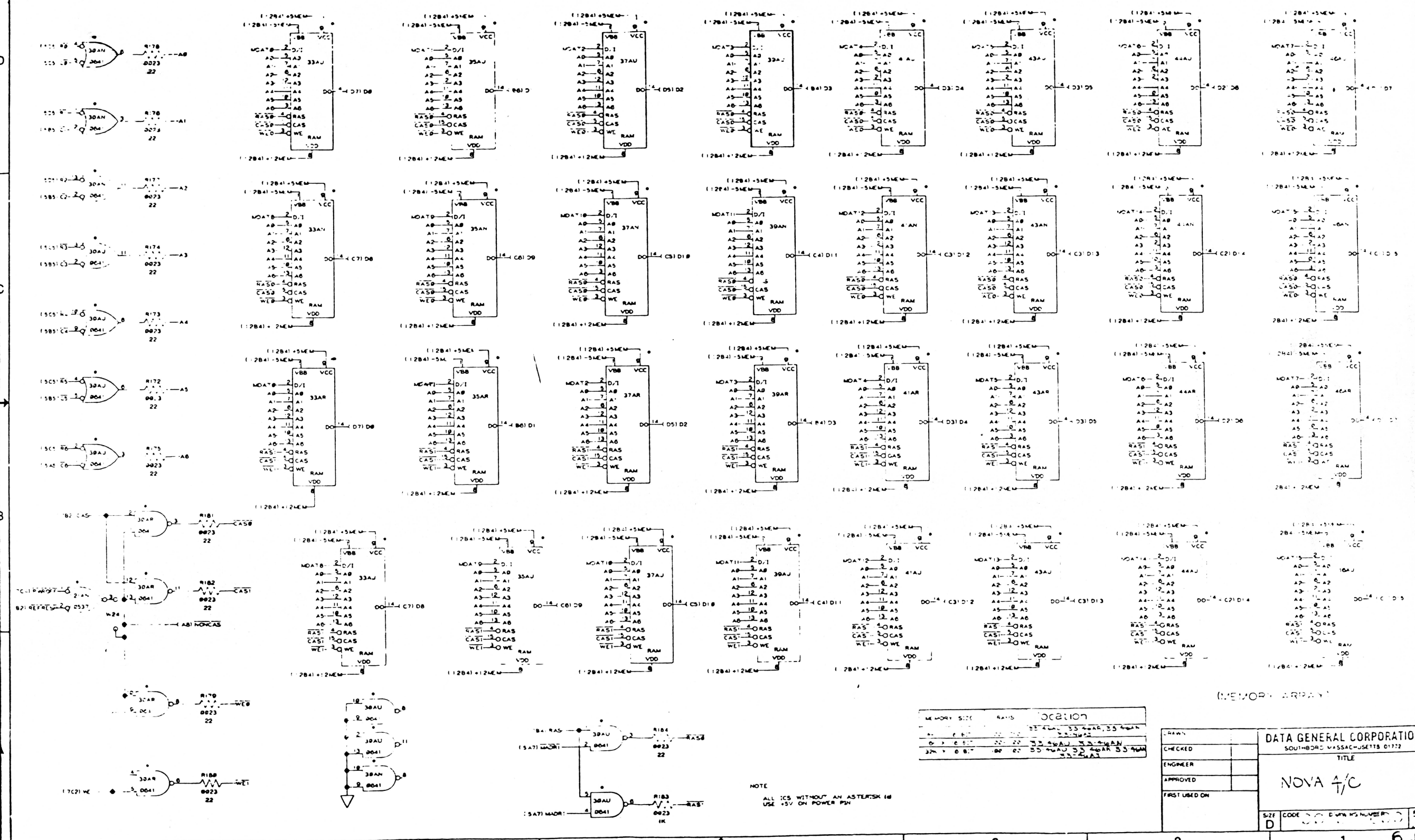
CHART	R137
16K IN	AS DEPICTED
4K IN	REMOVED

NOTE
ALL ICs MARKED WITH AN
ASTERISK (*) USE +5MEM
ON POWER PIN.

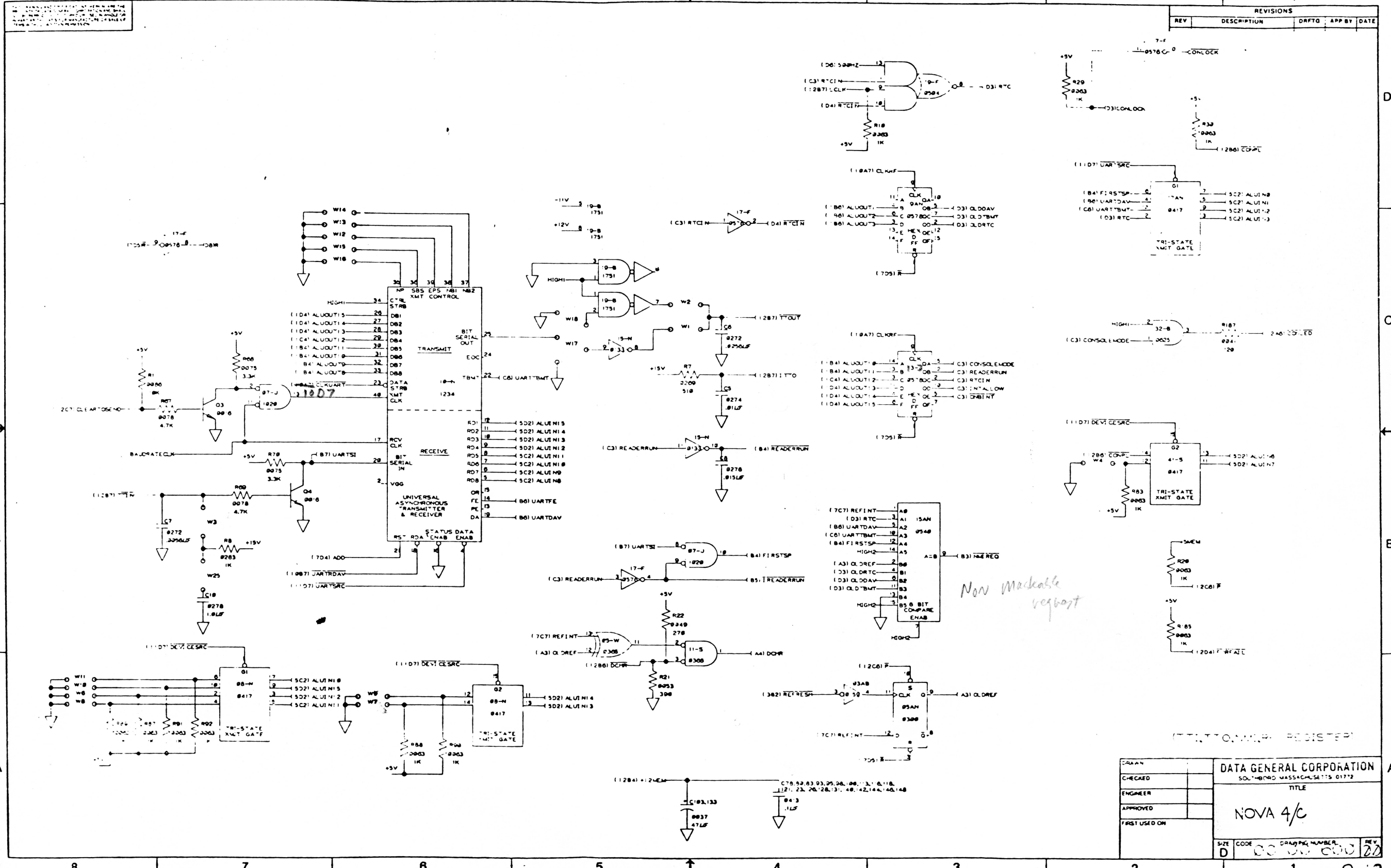
DESIGNED		DATA GENERAL CORPORATION SOUTH BORD MASSACHUSETTS 01772 TITLE <h2 style="text-align: center;">NOVA 4/C</h2>
CHECKED		
ENGINEER		
APPROVED		
FIRST USED ON		
SIZE	CODE	SHEET NUMBER 5 of 12

REVISIONS			
REV	DESCRIPTION	DRFTG	APP BY DATE

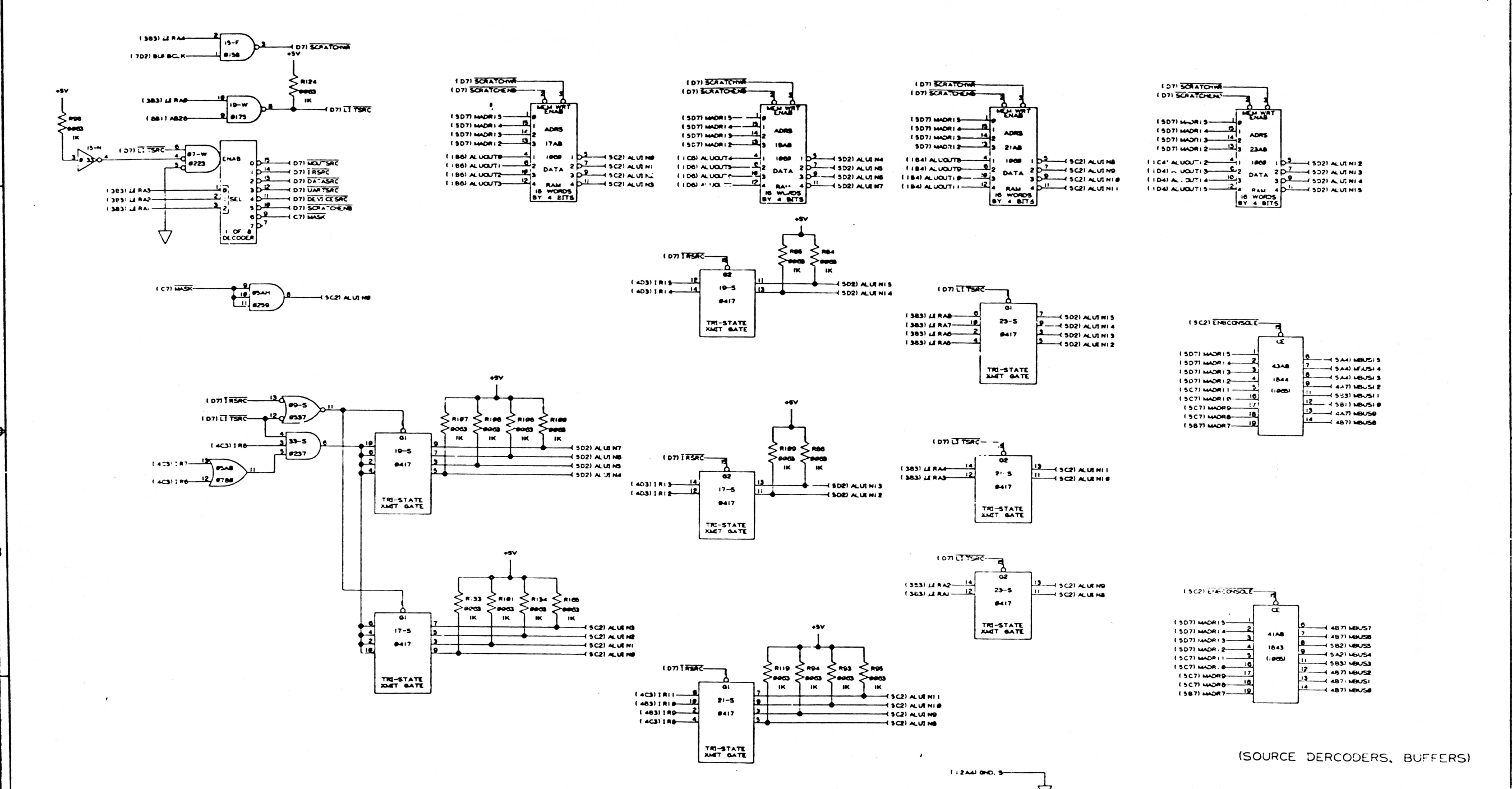
REVISIONS			
REV	DESCRIPTION	DRFTG	APP BY DATE



REVISIONS			
REV	DESCRIPTION	DAFTO	APP BY DATE



DRAWN		DATA GENERAL CORPORATION	
CHECKED		SOUTH BRIDGE MASSACHUSETTS 01772	
ENGINEER		TITLE	
APPROVED		NOVA 4/C	
FIRST USED ON		SIZE	CODE
		D	00 00 000
		DRAWING NUMBER	
		REV	
		80	



(SOURCE DECODERS, BUFFERS)

DESIGNED BY	DATA GENERAL CORPORATION
DATE	5/19/72
TITLE	NOVA 4/C
PROJECT	87-03-00001

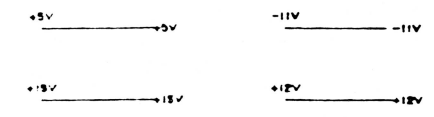
REVISIONS			
REV	DESCRIPTION	DRFTG	APP BY DATE

A801 O (A4) GND. S
A802 O (A4) GND. S
A803 O (B4) +5V
A804 O (B4) +5V
A805 O
A806 O
A807 O
A808 O
A809 O
A810 O (D8) +15V
A811 O
A812 O
A813 O
A814 O
A815 O
A816 O
A817 O
A818 O
A819 O
A820 O
A821 O
A822 O
A823 O
A824 O
A825 O
A826 O
A827 O
A828 O
A829 O
A830 O
A831 O
A832 O
A833 O
A834 O
A835 O
A836 O
A837 O
A838 O
A839 O
A840 O
A841 O
A842 O
A843 O
A844 O
A845 O
A846 O
A847 O
A848 O
A849 O
A850 O

A851 O
A852 O
A853 O
A854 O
A855 O
A856 O
A857 O
A858 O
A859 O
A860 O
A861 O
A862 O
A863 O
A864 O
A865 O
A866 O
A867 O
A868 O
A869 O
A870 O
A871 O
A872 O
A873 O
A874 O
A875 O
A876 O
A877 O
A878 O
A879 O
A880 O
A881 O
A882 O
A883 O
A884 O
A885 O
A886 O
A887 O
A888 O
A889 O
A890 O
A891 O
A892 O
A893 O
A894 O
A895 O
A896 O
A897 O
A898 O
A899 O
A900 O

B001 O
B002 O
B003 O
B004 O
B005 O
B006 O
B007 O
B008 O
B009 O
B010 O
B011 O
B012 O
B013 O
B014 O
B015 O
B016 O
B017 O
B018 O
B019 O
B020 O
B021 O
B022 O
B023 O
B024 O
B025 O
B026 O
B027 O
B028 O
B029 O
B030 O
B031 O
B032 O
B033 O
B034 O
B035 O
B036 O
B037 O
B038 O
B039 O
B040 O
B041 O
B042 O
B043 O
B044 O
B045 O
B046 O
B047 O
B048 O
B049 O
B050 O

B051 O
B052 O
B053 O
B054 O
B055 O
B056 O
B057 O
B058 O
B059 O
B060 O
B061 O
B062 O
B063 O
B064 O
B065 O
B066 O
B067 O
B068 O
B069 O
B070 O
B071 O
B072 O
B073 O
B074 O
B075 O
B076 O
B077 O
B078 O
B079 O
B080 O
B081 O
B082 O
B083 O
B084 O
B085 O
B086 O
B087 O
B088 O
B089 O
B090 O
B091 O
B092 O
B093 O
B094 O
B095 O
B096 O
B097 O
B098 O
B099 O
B100 O



DRAWN		DATA GENERAL CORPORATION SOUTH-BORO MASSACHUSETTS 01772 TITLE NOVA 4/C SIZE CODE 00100.600 DRAWING NUMBER REV. 1
CHECKED		
ENGINEER		
APPROVED		
FIRST USED ON		