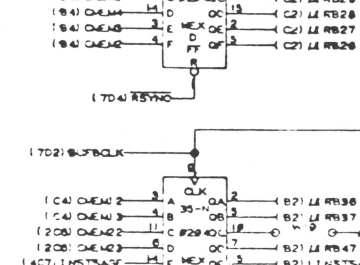
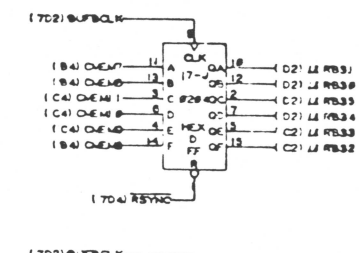
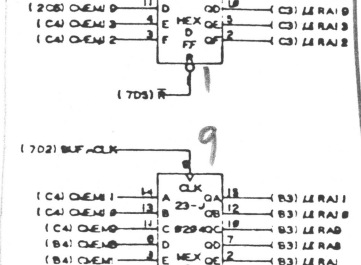
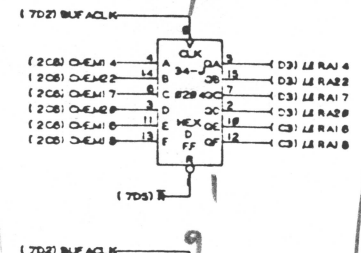
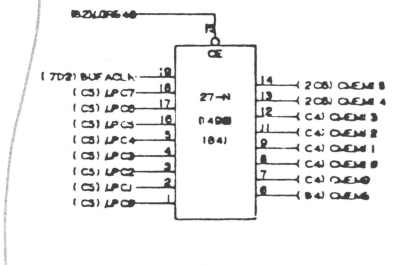
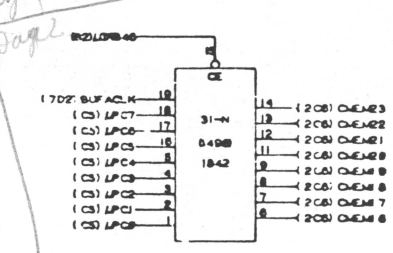
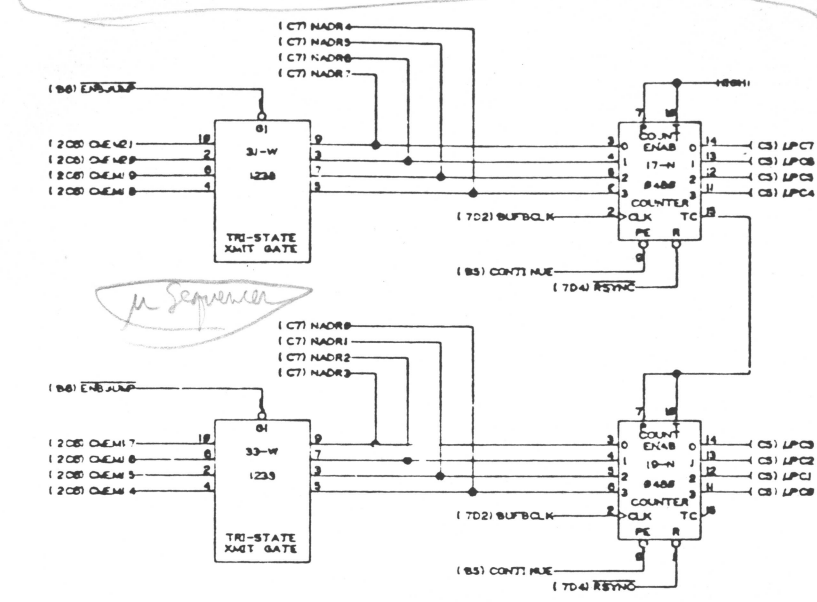
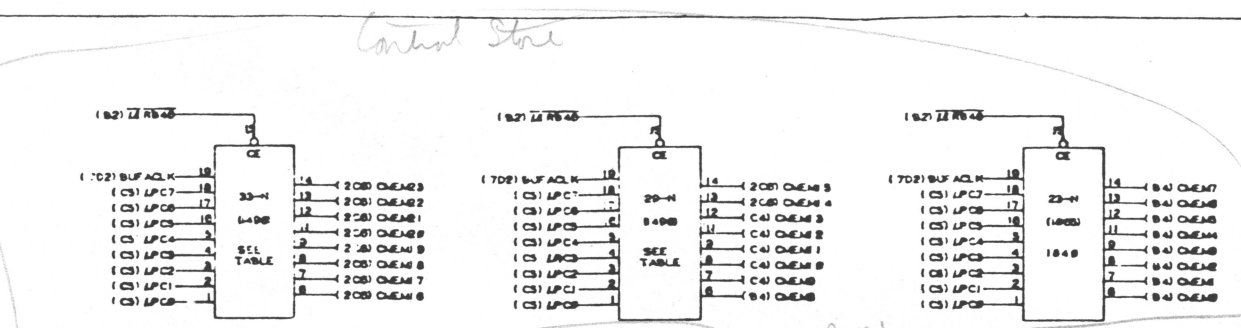


DRAWN		DATA GENERAL CORPORATION SOUTHBORO MASSACHUSETTS 01772 TITLE <h2 style="text-align: center;">NOVA 4/C</h2>
CHECKED		
ENGINEER		
APPROVED		
FRS SED ON		
SIZE	CODE	DRAWING NUMBER 001001600
		REV
		SHEET 2 of 2

REVISIONS			
REV	DESCRIPTION	DRFTG	APP BY DATE

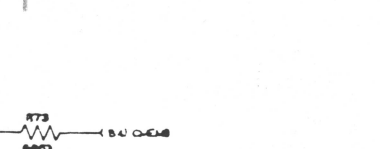
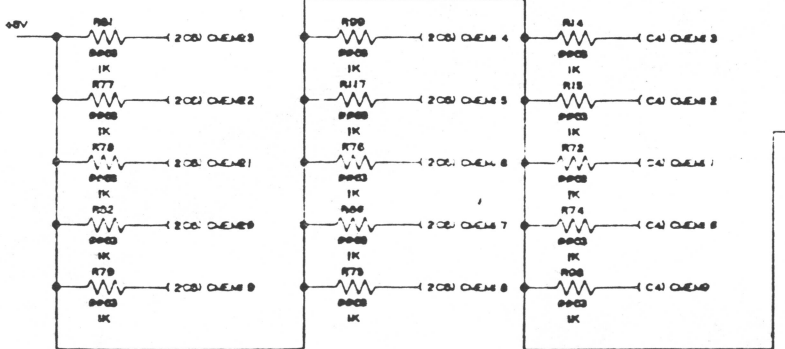
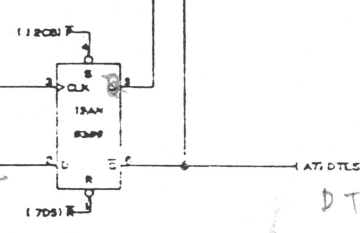
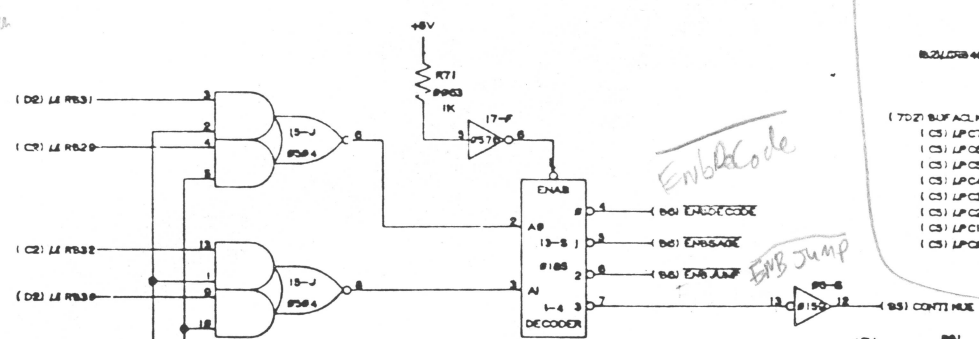
LOC 20H	LOC 23H	PPS-1077048
1831	1832	13509 OR 13504 OR 13558
1833	1834	13549 OR 13553 OR 13607
1835	1836	13548 OR 13552 OR 13556
1837	1838	13547 OR 13601 OR 13556



UBi list test condita

29	30	31	32
true		false	

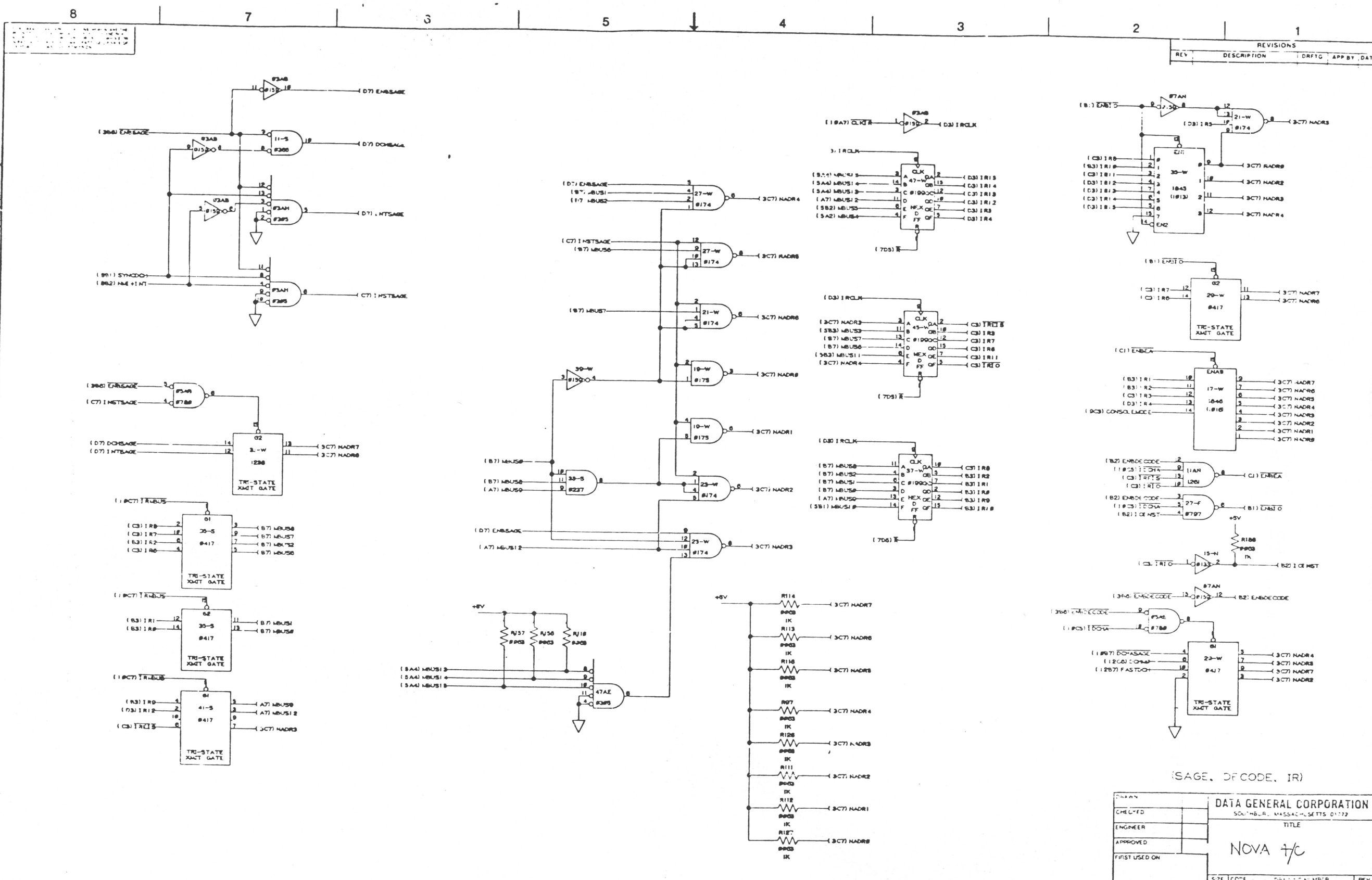
00- code
01- sage
10- jump
11- continue



(CONTROL MEMORY, SEQUENCER)

DESIGN		DATA GENERAL CORPORATION 500-BROADWAY MASSACHUSETTS 01112 TITLE NOVA 4/c SIZE CODE 001001600 REV 3/12
CHECKED		
ENGINEER		
APPROVED		
FIRST USED ON		

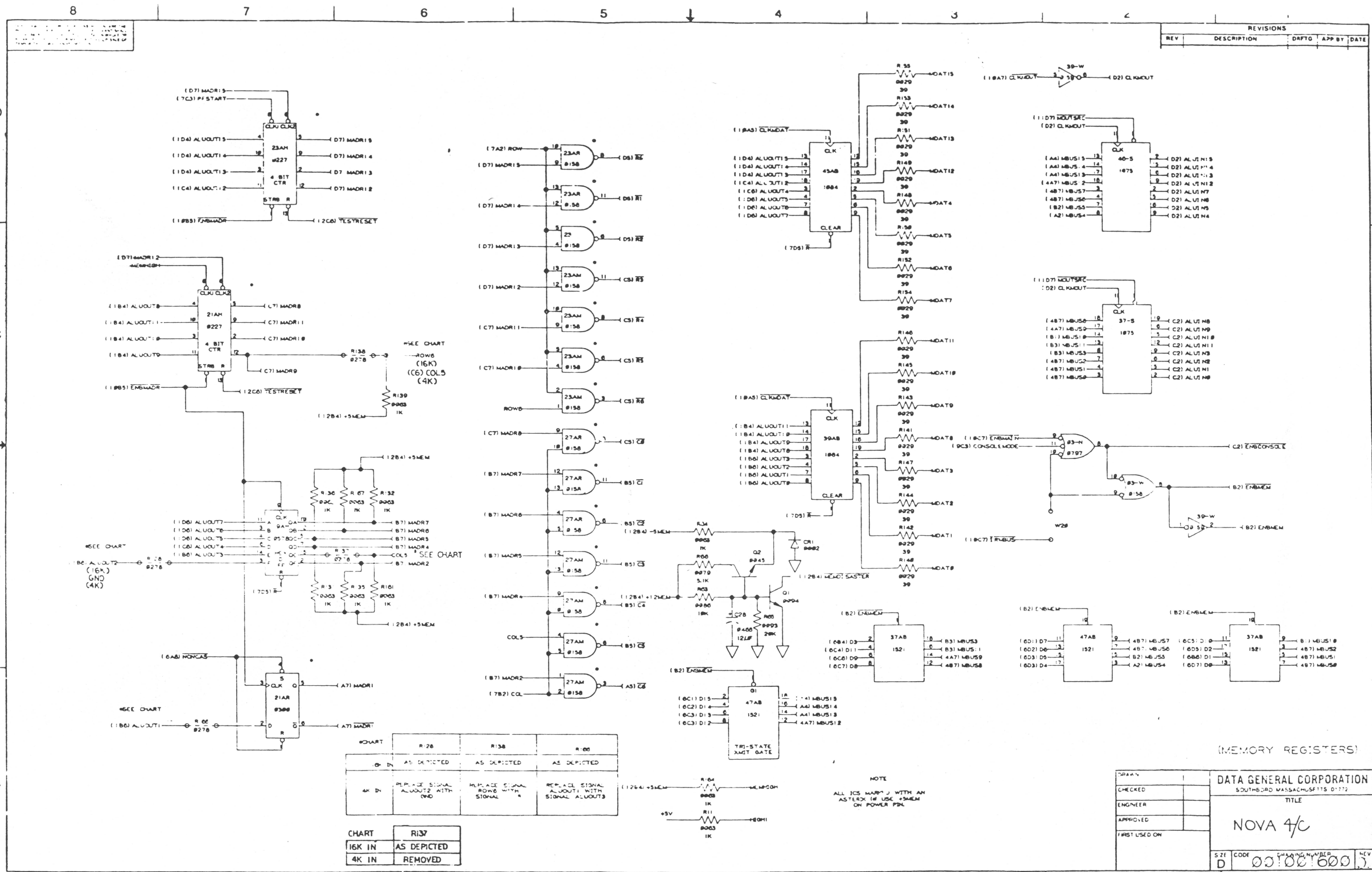
REVISIONS			
REV	DESCRIPTION	DRFTG	APP BY DATE



REVISIONS			
REV	DESCRIPTION	DRFTG	APP BY DATE

DESIGNED	DATA GENERAL CORPORATION SOUTH BURLINGTON, MASSACHUSETTS 01772
CHECKED	
ENGINEER	
APPROVED	
FIRST USED ON	TITLE NOVA 7C
SIZE CODE	REV
D1	00 1201600 13

REVISIONS			
REV	DESCRIPTION	DRFTG	APP BY DATE



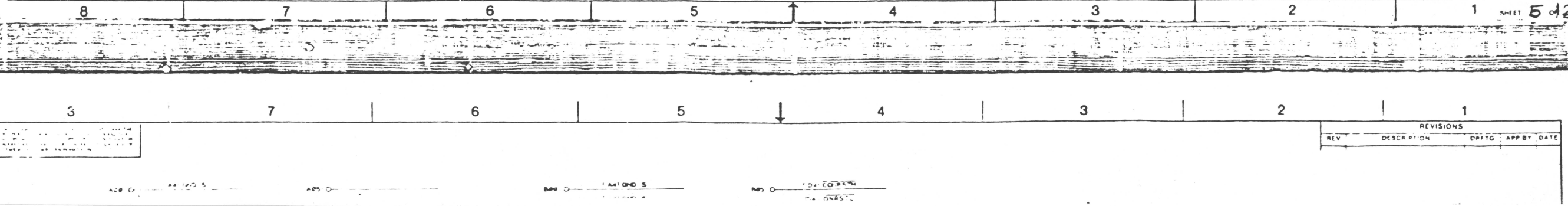
REVISIONS				
REV	DESCRIPTION	DRFTG	APP BY	DATE

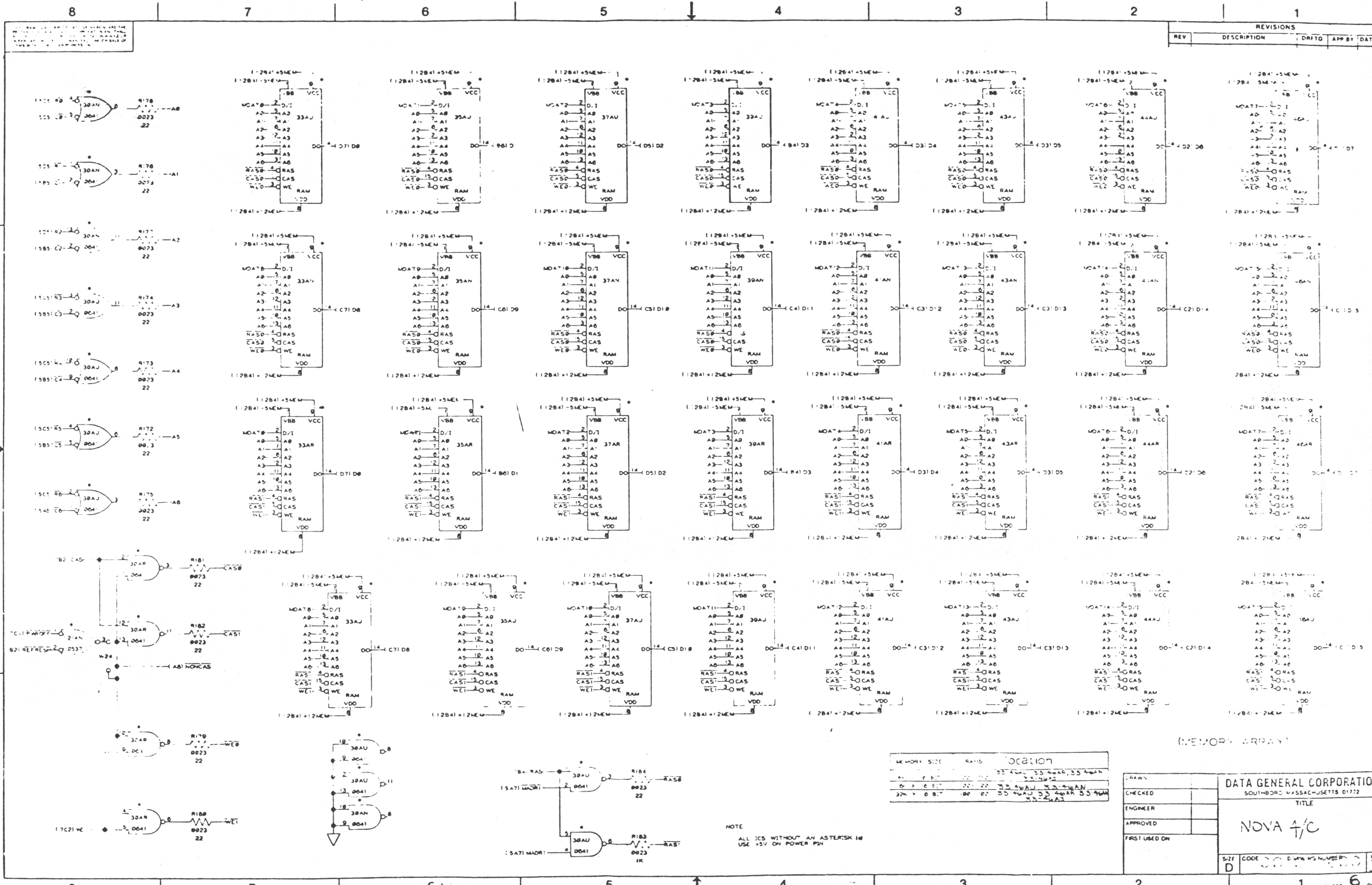
CHART	R137	R138	R100
4K IN	REPLACE SIGNAL ALIOUT2 WITH GND	REPLACE SIGNAL ROW6 WITH SIGNAL	REPLACE SIGNAL ALIOUT3 WITH SIGNAL ALIOUT3
16K IN	AS DEPICTED	AS DEPICTED	AS DEPICTED

NOTE
ALL ICs MARKED WITH AN
ASTERISK (*) USE +5VEMH
ON POWER PIN

DESIGNED		DATA GENERAL CORPORATION
CHECKED		SOUTH BORD MASSACHUSETTS 01772
ENGINEER		TITLE
APPROVED		NOVA 4/C
FIRST USED ON		SIZE CODE 00100160013
		D 00100160013

REVISIONS				
REV	DESCRIPTION	DRFTG	APP BY	DATE



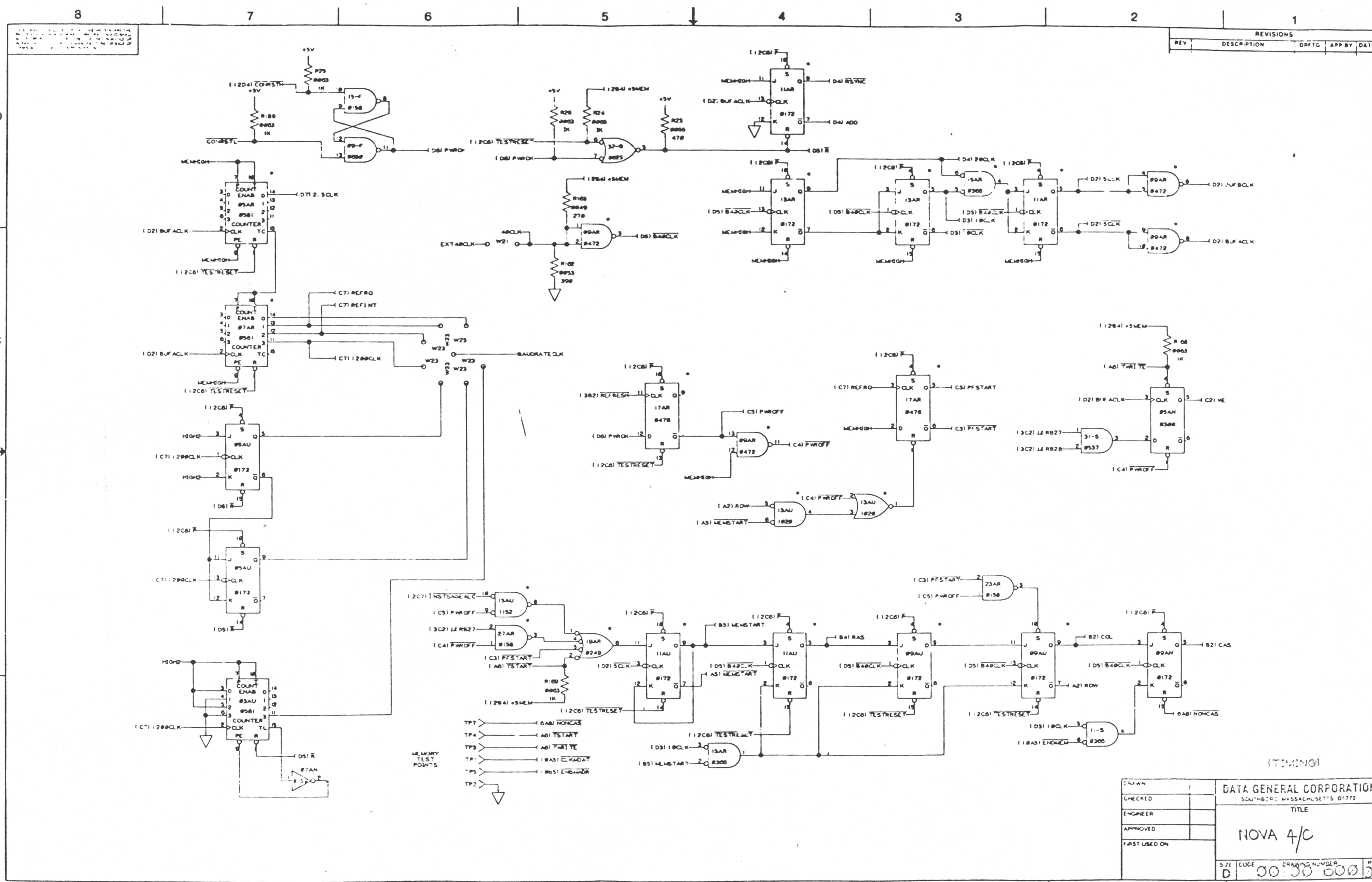


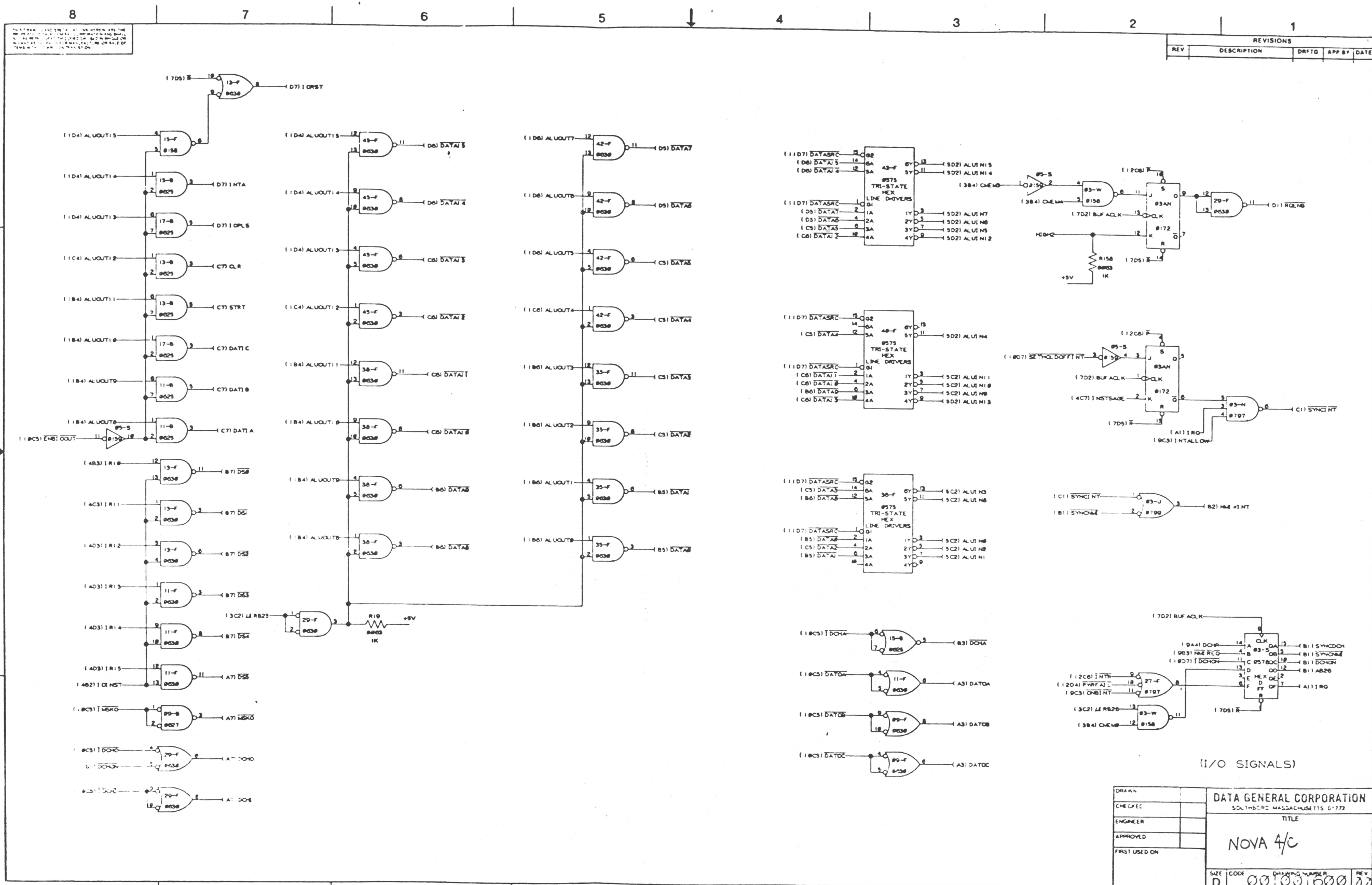
REVISIONS			
REV	DESCRIPTION	DRFTG	APP BY

MEMORY SIZE	RAS	Location
128 x 8	100 ns	33 44AR, 33 44AR
256 x 8	100 ns	33 44AU, 33 44AU
512 x 8	100 ns	33 44AR, 33 44AR
1024 x 8	100 ns	33 44AU, 33 44AU

DRAWN		DATA GENERAL CORPORATION SOUTH-BORO MASSACHUSETTS 01772 TITLE NOVA 4/C
CHECKED		
ENGINEER		
APPROVED		
FIRST USED ON		SIZE CODE 00 00 00 00 00 00 00 00 D

NOTE
ALL ICs WITHOUT AN ASTERISK (*) USE +5V ON POWER PIN



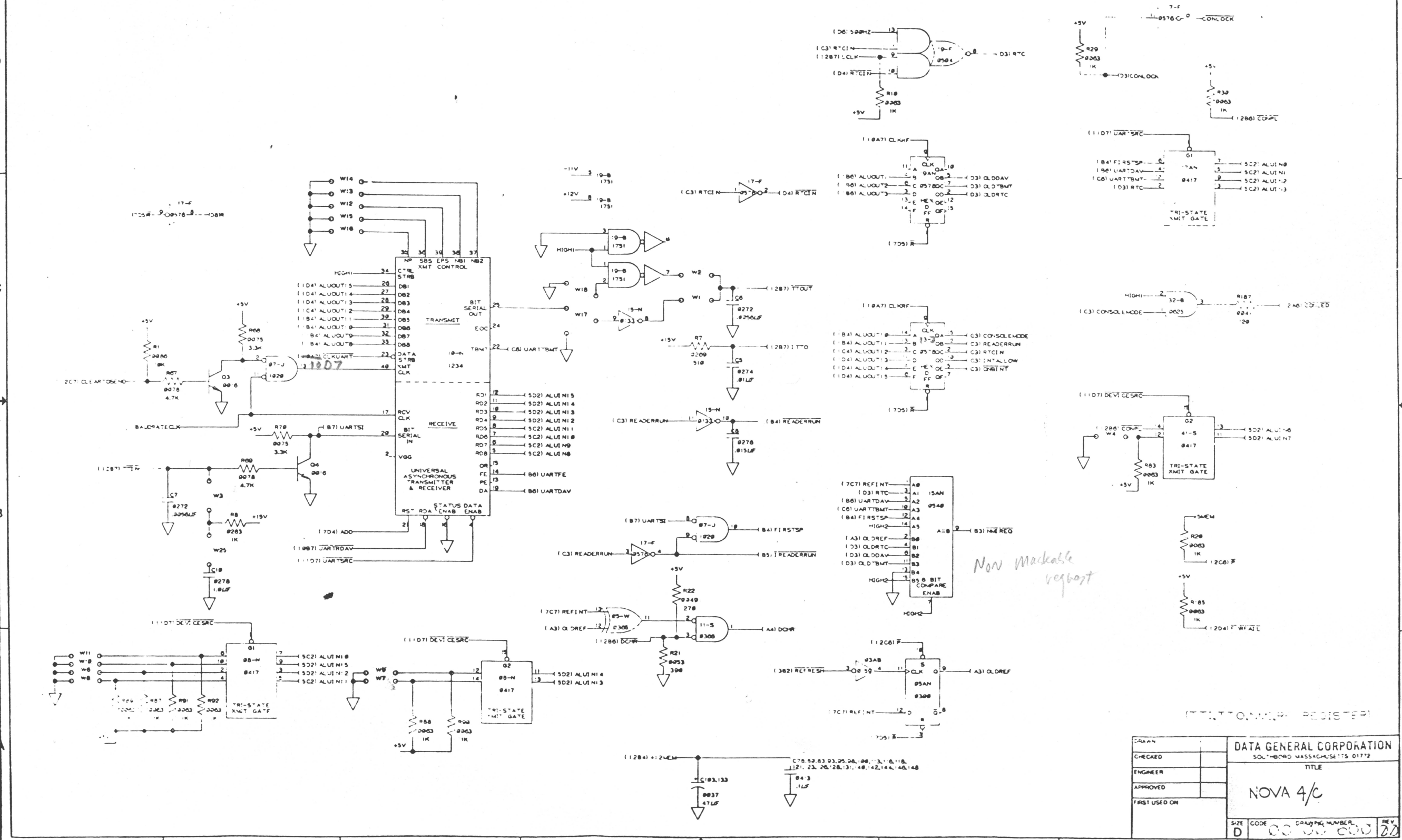


REVISIONS				
REV	DESCRIPTION	DRFTG	APP BY	DATE

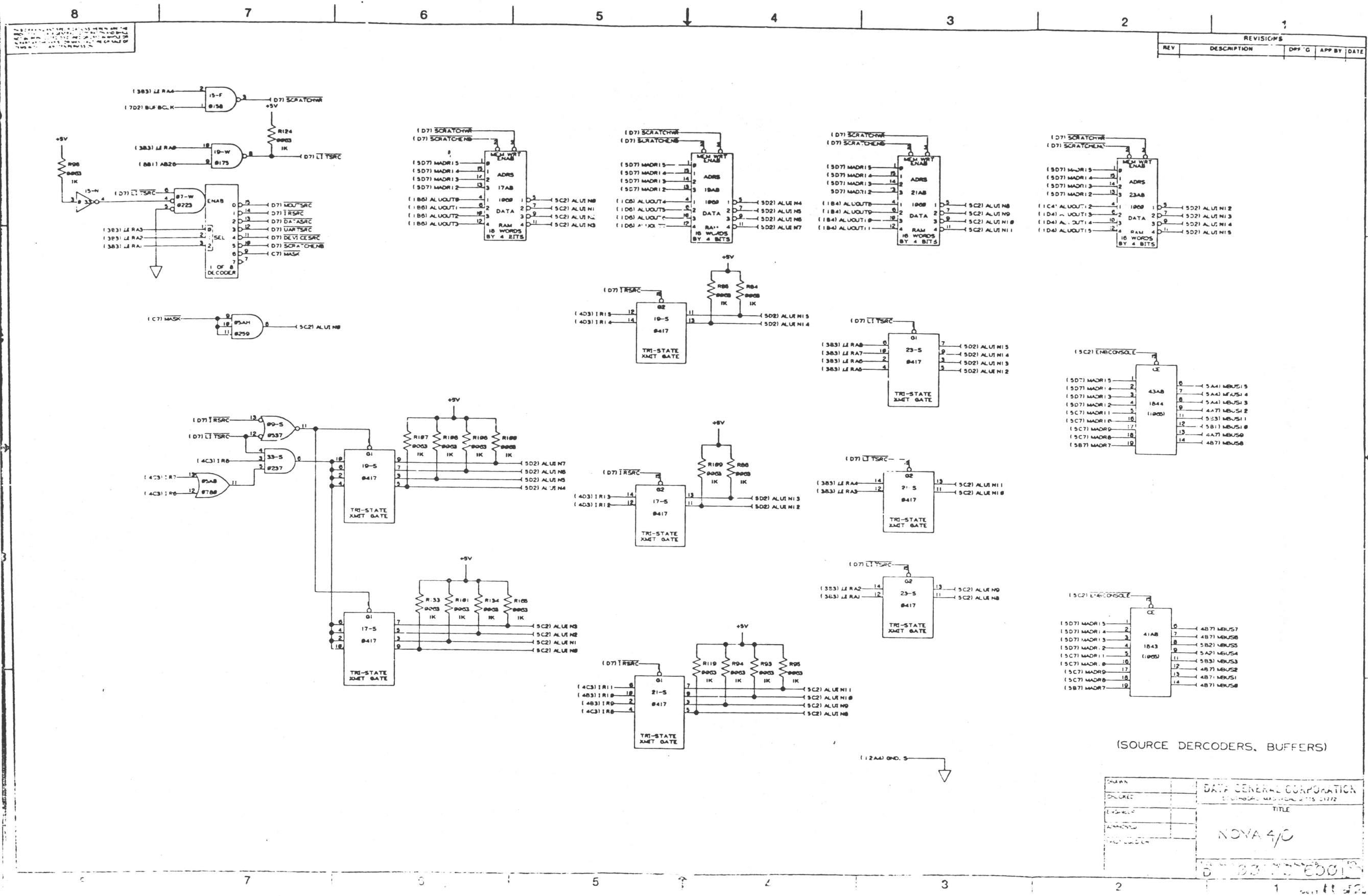
DESIGN		DATA GENERAL CORPORATION	
CHEK/PEC		SOUTH BORD MASSACHUSETTS 01772	
ENGINEER		TITLE	
APPROVED		NOVA 4/C	
FIRST USED ON			
SIZE	CODE	DRAWING NUMBER	REV
D		001001000	22

REVISIONS				
REV	DESCRIPTION	DRFTG	APP BY	DATE

REVISIONS			
REV	DESCRIPTION	DRFTG	APP BY DATE



CHECKED		DATA GENERAL CORPORATION SOLI-BORD MASSACHUSETTS 01772 TITLE NOVA 4/C
ENGINEER		
APPROVED		
FIRST USED ON		
		SIZE D CODE 00 DRAWING NUMBER 000 REV 22 SHEET 9 of 2



REVISIONS				
REV	DESCRIPTION	DRG	APP BY	DATE

(SOURCE DECODERS, BUFFERS)

DESIGNED BY	DATA GENERAL CORPORATION
DESIGNED DATE	1977
DESIGNED TITLE	NOVA 4/C
DESIGNED PART NO.	5-03-0001

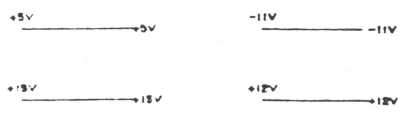
REVISIONS				
REV	DESCRIPTION	DRFTG	APP BY	DATE

A801 O (A4) GND. S
 A802 O (A4) GND. S
 A803 O (B4) +5V
 A804 O (B4) +5V
 A805 O
 A806 O
 A807 O
 A808 O
 A809 O
 A810 O (DB) +15V
 A811 O
 A812 O
 A813 O
 A814 O
 A815 O
 A816 O
 A817 O
 A818 O
 A819 O
 A820 O
 A821 O
 A822 O
 A823 O
 A824 O
 A825 O
 A826 O
 A827 O
 A828 O
 A829 O
 A830 O
 A831 O
 A832 O
 A833 O
 A834 O
 A835 O
 A836 O (B4)XTAMPCLK
 A837 O
 A838 O (B4)71 MEMO
 A839 O
 A840 O (B0)71 INTA
 A841 O
 A842 O (B0)71 DATI B
 A843 O (B0)71 DATI A
 A844 O
 A845 O (B0)71 D53
 A846 O
 A847 O (B4)3 DATOC
 A848 O
 A849 O (B0)71 CLR
 A798 O

A851 O
 A852 O (B0)71 STRT
 A853 O
 A854 O (B0)71 DATI C
 A855 O
 A856 O (B4)3 DATOB
 A857 O
 A858 O (B4)3 DATOA
 A859 O
 A860 O (B0)31 DCHA
 A861 O
 A862 O (B0)71 D54
 A863 O
 A864 O (B4)71 D55
 A865 O
 A866 O (B0)71 D56
 A867 O
 A868 O (B0)71 D57
 A869 O
 A870 O (B0)71 ORST
 A871 O
 A872 O (B0)71 D58
 A873 O
 A874 O (B0)71 OPL5
 A875 O
 A876 O
 A877 O
 A878 O
 A879 O
 A880 O (C)71 SELD
 A881 O (C)71 CLEAR TO SEND
 A882 O (B)71 SELB
 A883 O (B)71 TTD
 A884 O
 A885 O (B)71 TTOUT
 A886 O
 A887 O (B)71 LCLK
 A888 O (B0)841 READERRUN
 A889 O (B0)81 500KHZ
 A890 O
 A891 O
 A892 O
 A893 O (B)71 TTRN
 A894 O (B)71 FASTDCH
 A895 O (B)71 MEMOK
 A896 O (B4) +5V
 A897 O (B4) +5V
 A898 O (A4) GND. S
 A899 O (A4) GND. S
 A900 O (A4) GND. S

B001 O (A4) GND. S
 B002 O (A4) GND. S
 B003 O (B4) +5V
 B004 O (B4) +5V
 B005 O
 B006 O
 B007 O
 B008 O
 B009 O
 B010 O
 B011 O
 B012 O
 B013 O
 B014 O
 B015 O
 B016 O
 B017 O (C0) DO-48
 B018 O
 B019 O
 B020 O
 B021 O
 B022 O
 B023 O (C0) YES/RESERVED
 B024 O
 B025 O (C0) F
 B026 O
 B027 O
 B028 O
 B029 O (C0) INTN
 B030 O
 B031 O
 B032 O
 B033 O (B4)71 DCHD
 B034 O
 B035 O (B0)1 DORR
 B036 O
 B037 O (B4)71 DCHS
 B038 O
 B039 O
 B040 O (B0)CONLOCK
 B041 O (B0)11 RCENB
 B042 O
 B043 O
 B044 O
 B045 O
 B046 O
 B047 O (B0)1 CONFL
 B048 O (A0) CONLED
 B049 O
 B050 O

B051 O (B4)1 CONRSTN
 B052 O (B4)1 CONRSTL
 B053 O
 B054 O (B4)1 PRIFAL
 B055 O (B0)51 DATAY
 B056 O (B0)51 DATAY S
 B057 O (B0)51 DATAY S
 B058 O (B0)51 DATAY I
 B059 O (B0)51 DATAY S
 B060 O (B0)51 DATAY S
 B061 O (B0)51 DATAY S
 B062 O (B0)51 DATAY S
 B063 O (B0)51 DATAY S
 B064 O (B0)51 DATAY S
 B065 O (B0)51 DATAY S
 B066 O (B0)51 DATAY S
 B067 O
 B068 O
 B069 O (B4) +12MEM
 B070 O (B4) +12MEM
 B071 O (B4) +12MEM
 B072 O (B0)51 DATAY S
 B073 O
 B074 O (B0)51 DATAY S
 B075 O
 B076 O
 B077 O (C)71-11V
 B078 O (D)00PWOK
 B079 O
 B080 O
 B081 O (B0)51 DATAY S
 B082 O
 B083 O
 B084 O
 B085 O
 B086 O (B4) +12V
 B087 O (B4) +12V
 B088 O
 B089 O (B4) +12V
 B090 O (B4) -5MEM
 B091 O
 B092 O (B4) +5MEM
 B093 O (B4) +5MEM
 B094 O (B0)51 DATAY S
 B095 O (B4) MEMO SASTER
 B096 O (B4) +5V
 B097 O (B4) +5V
 B098 O (A4) GND. S
 B099 O (A4) GND. S
 B100 O (A4) GND. S



DRAWN		DATA GENERAL CORPORATION	
CHECKED		SOUTH BORO MASSACHUSETTS 01772	
ENGINEER		TITLE	
APPROVED		NOVA 4/C	
FIRST USED ON		SIZE	CODE
		D	00100.600
		DRWG. NO.	REV.