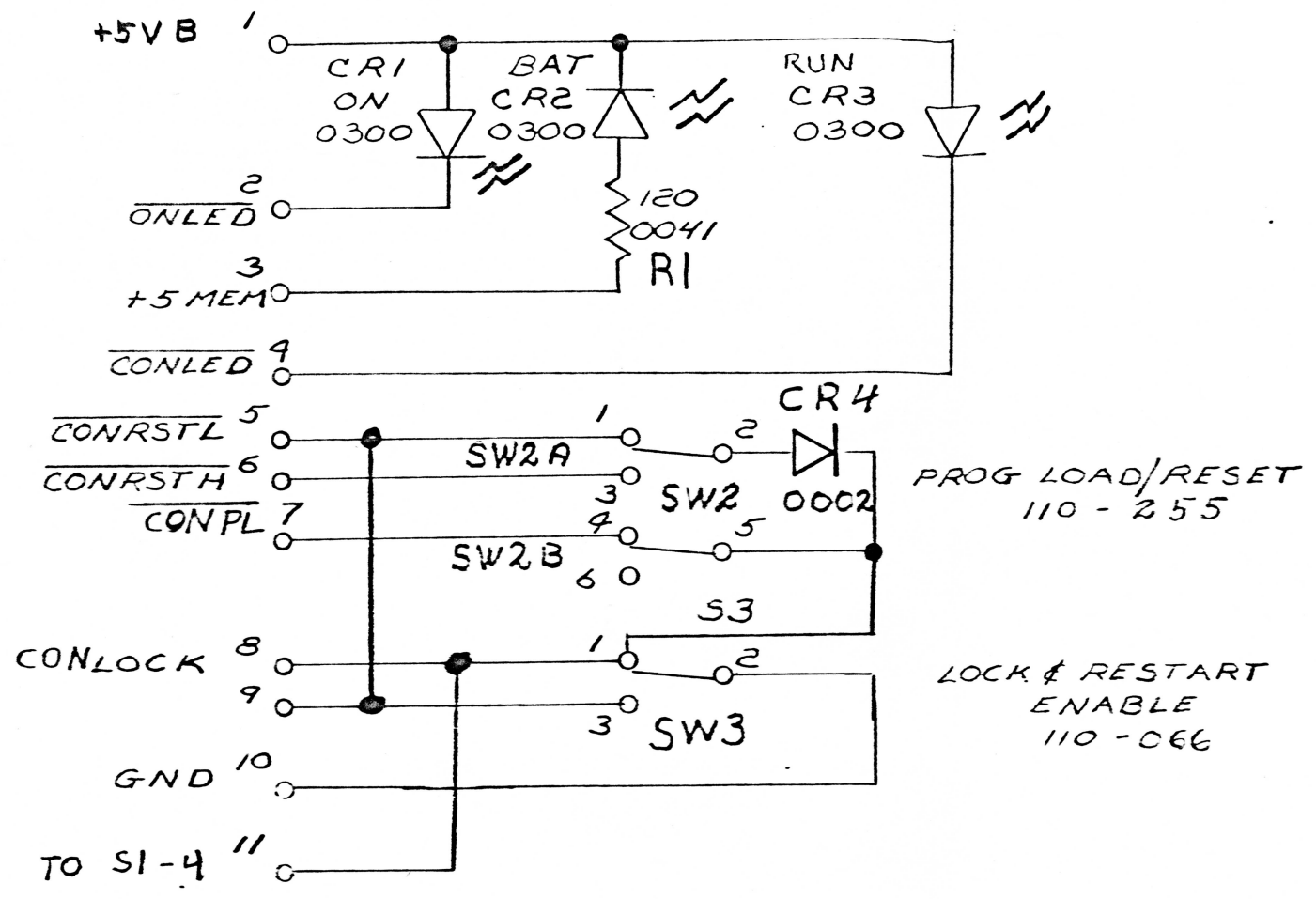


THIS DRAWING AND SPECIFICATIONS, HEREIN, ARE THE PROPERTY OF DATA GENERAL CORPORATION AND SHALL NOT BE REPRODUCED OR COPIED OR USED IN WHOLE OR IN PART AS THE BASIS FOR MANUFACTURE OR SALE OF ITEMS WITHOUT WRITTEN PERMISSION

REVISIONS				
REV.	DESCRIPTION	DRFTG.	APP. BY	DATE
00	RLSD PER ECO E553			10-13-78



NOTES:

- 1) SW2 SHOWN IN NEUTRAL POSITION
SW2 A SWITCHES FOR RESET
SW2 B SWITCHES FOR PROG LOAD
- 2) SW3 SHOWN IN THE NOT LOCKED POSITION

ITEM	QTY.	DESCRIPTION	PART NO.
DO NOT SCALE DRAWING. UNLESS OTHERWISE SPECIFIED USE D.G.C. SPECIFICATION 108-000028 FOR TOLER- ANCES AND WORKMAN- SHIP REQUIREMENTS		DRAWN <i>Mark Bullock</i> 4-20-78	DATA GENERAL CORPORATION SOUTHBORO, MASS. 01772
MATERIAL		CHECKED	
FINISH		ENGINEER	TITLE
		APPROVED <i>W. Clemm</i> 9-25-78	FRONT PANEL PCB DGC MACHINE
		FIRST USED ON 005012078	
		SCALE	REV. 00
		CODE IDENT. 34984	DRAWING NUMBER 001585
		SIZE B	
		CODE 001	

BRUNING 40-926 20411-4

013000836-00