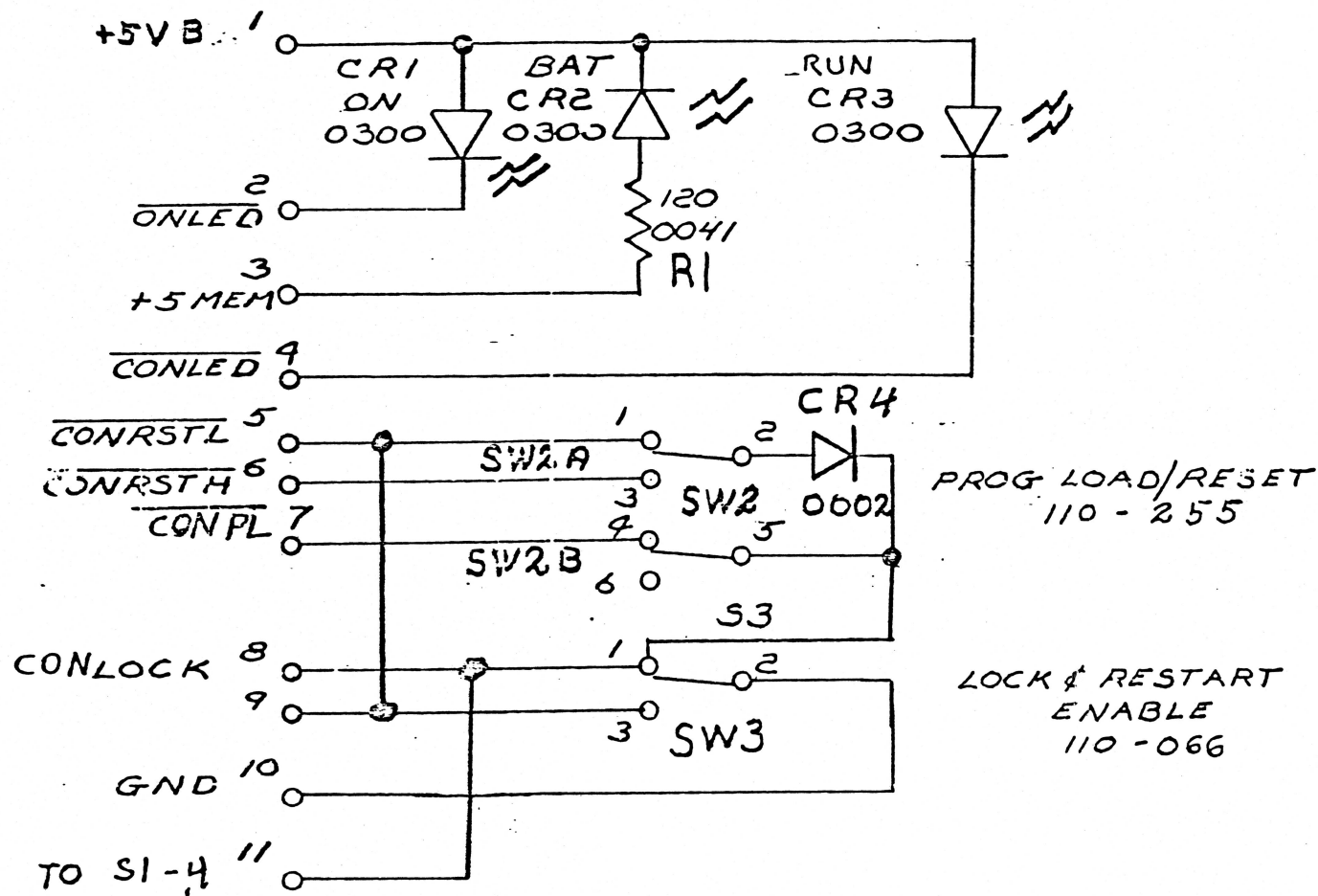


THIS DRAWING AND SPECIFICATIONS, HEREIN, ARE THE PROPERTY OF DATA GENERAL CORPORATION AND SHALL NOT BE REPRODUCED OR COPIED OR USED IN WHOLE OR IN PART AS THE BASIS FOR MANUFACTURE OR SALE OF ITEMS WITHOUT WRITTEN PERMISSION.

REVISIONS				
REV.	DESCRIPTION	DRFTG.	APP. BY	DATE
00	RLSD PER ECO E553			10-13-78



NOTES:

- SW2 SHOWN IN NEUTRAL POSITION
SW2 A SWITCHES FOR RESET
SW2 B SWITCHES FOR PROG LOAD
- SW3 SHOWN IN THE NOT LOCKED POSITION

ITEM	QTY.	DESCRIPTION	PART NO.
DO NOT SCALE DRAWING. UNLESS OTHERWISE SPECIFIED USE D.G.C. SPECIFICATION 108-000028 FOR TOLER- ANCES AND WORKMAN- SHIP REQUIREMENTS	DRAWN <i>Mark Bulak</i> 4-30-78	DATA GENERAL CORPORATION SOUTHBORO, MASS. 01772	
MATERIAL	CHECKED	TITLE	
FINISH	ENGINEER	FRONT PANEL PCB DGC MACHINE	
	APPROVED <i>[Signature]</i> 9-25-78	CODE IDENT.	DRAWING NUMBER
	FIRST USED ON 005012078	34934	001585
	SCALE	SIZE	REV.
		B	00

BRUNING 3204114

013000836-00

SHEET 1 OF 1