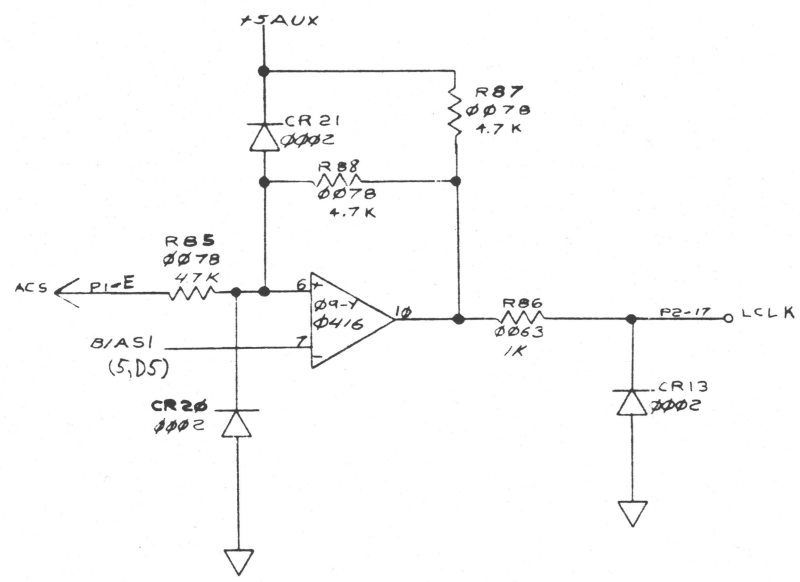
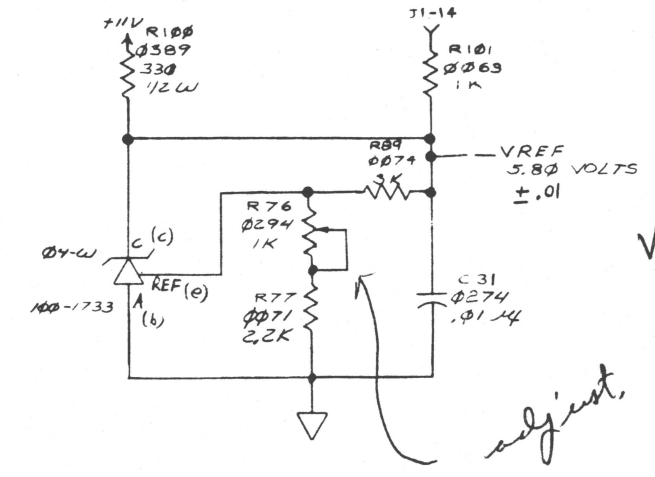
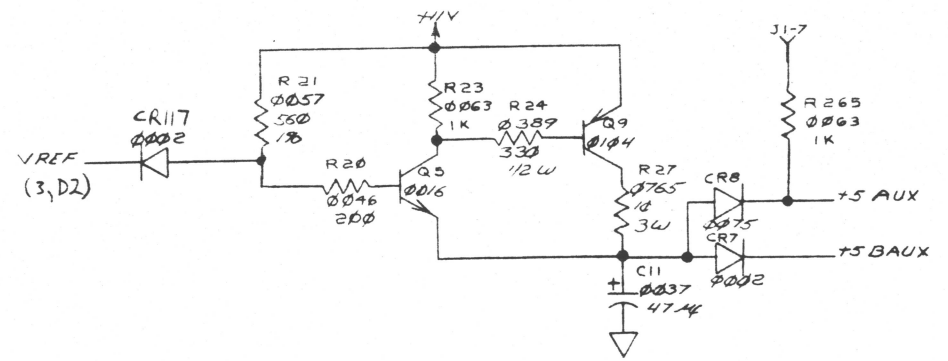
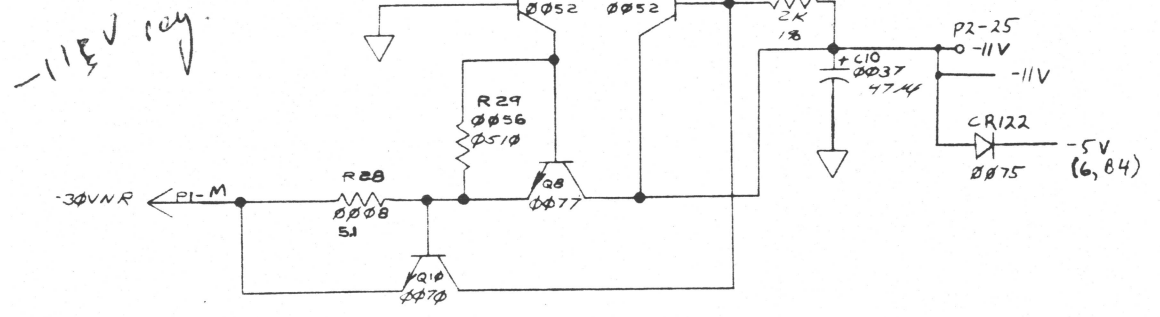
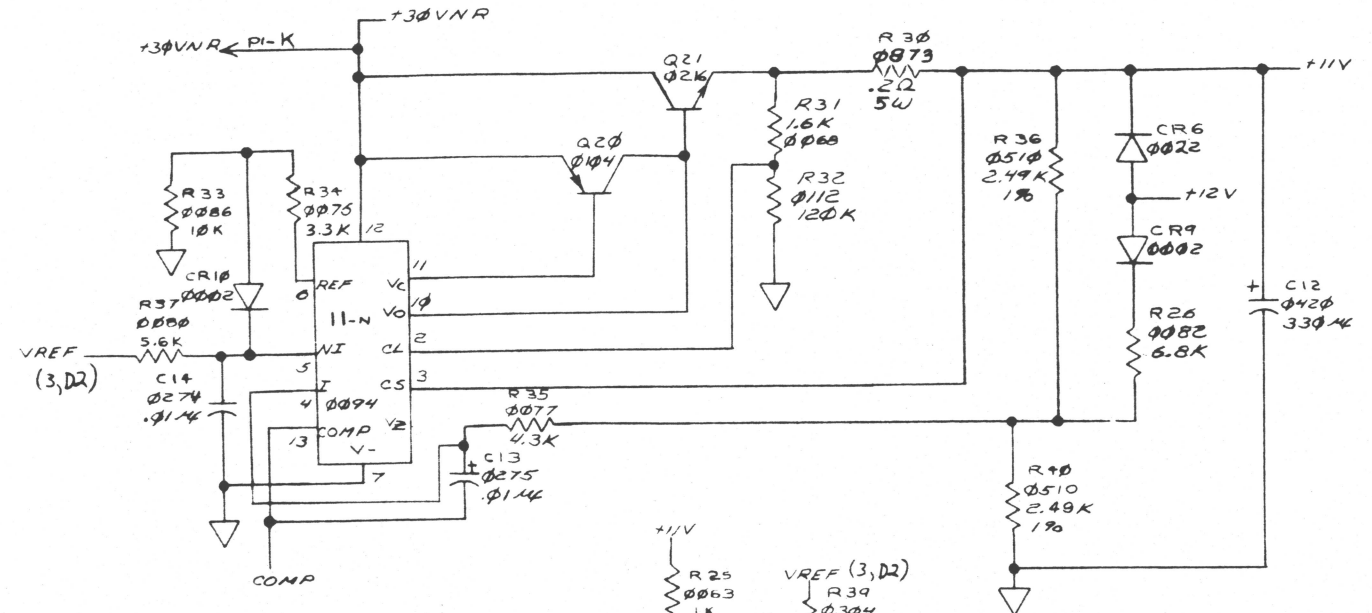


THIS DRAWING AND SPECIFICATIONS HEREIN ARE THE PROPERTY OF DATA GENERAL CORPORATION AND SHALL NOT BE REPRODUCED OR COPIED OR USED IN WHOLE OR IN PART AS THE BASIS FOR MANUFACTURE OR SALE OF ITEMS WITHOUT WRITTEN PERMISSION

REVISIONS				
REV	DESCRIPTION	DRFTG	APP BY	DATE



- NOTES:
- = 50 EDGE PIN CONNECTORS
 - ← = HIGH VOLTAGE EDGE CONNECTORS
 - TP = TO TEST POINT AT FRONT OF CARD
 - TP X = TERMI-PIN TEST POINT
 - U3 CONNECTS TO BAF04 FOR BBU VERSION, TO 07-D PIN 6 FOR NON-BBU VERSION.
 - R5, R7 NOT INSTALLED ON BBU VERSION.
 - R6 IS 102-0270 FOR BBU VERSION, 101-0075 FOR NON-BBU VERSION.
 - CR2 INSTALLED ON BBU VERSION, REPLACED BY JUMPER WIRE ON NON-BBU VERSION.
 - CR35-CR38, CR99, CR50 TO BE STOOD ON END ALLOWING NO LEAD LENGTH BETWEEN P.C.B AND DIODE.
 - ALL COMPONENTS ON PAGE B ARE FOR BATTERY BACKUP ONLY, EXCEPT R87, R100, C32, CR23 AND ASSOCIATED JUMPER.

+11, -11, and +5Aux Regulators, VRef, LClock

ITEM	QTY	DESCRIPTION	PART NO

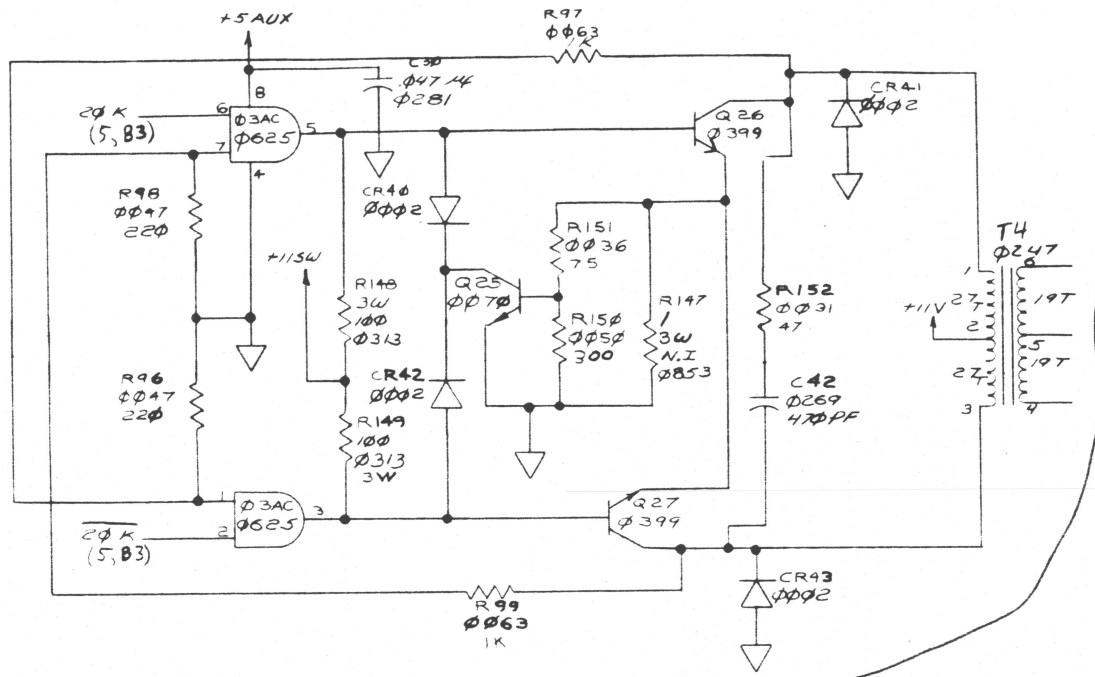
DO NOT SCALE DRAWING UNLESS OTHERWISE SPECIFIED USE D.G.C. SPECIFICATION 100-00028 FOR TOLERANCES AND WORKMANSHIP REQUIREMENTS	DRAWN CHECKED ENGINEER APPROVED FIRST USED ON	DATA GENERAL CORPORATION SOUTHBORO, MASS. 01772	
MATERIAL		TITLE NOVA 4 POWER SUPPLY PCB	
FINISH		SCALE	CODE IDENT. SIZE CODE DRAWING NUMBER
			34984 D 001001524 10

BRUNNEN 00-518 20111

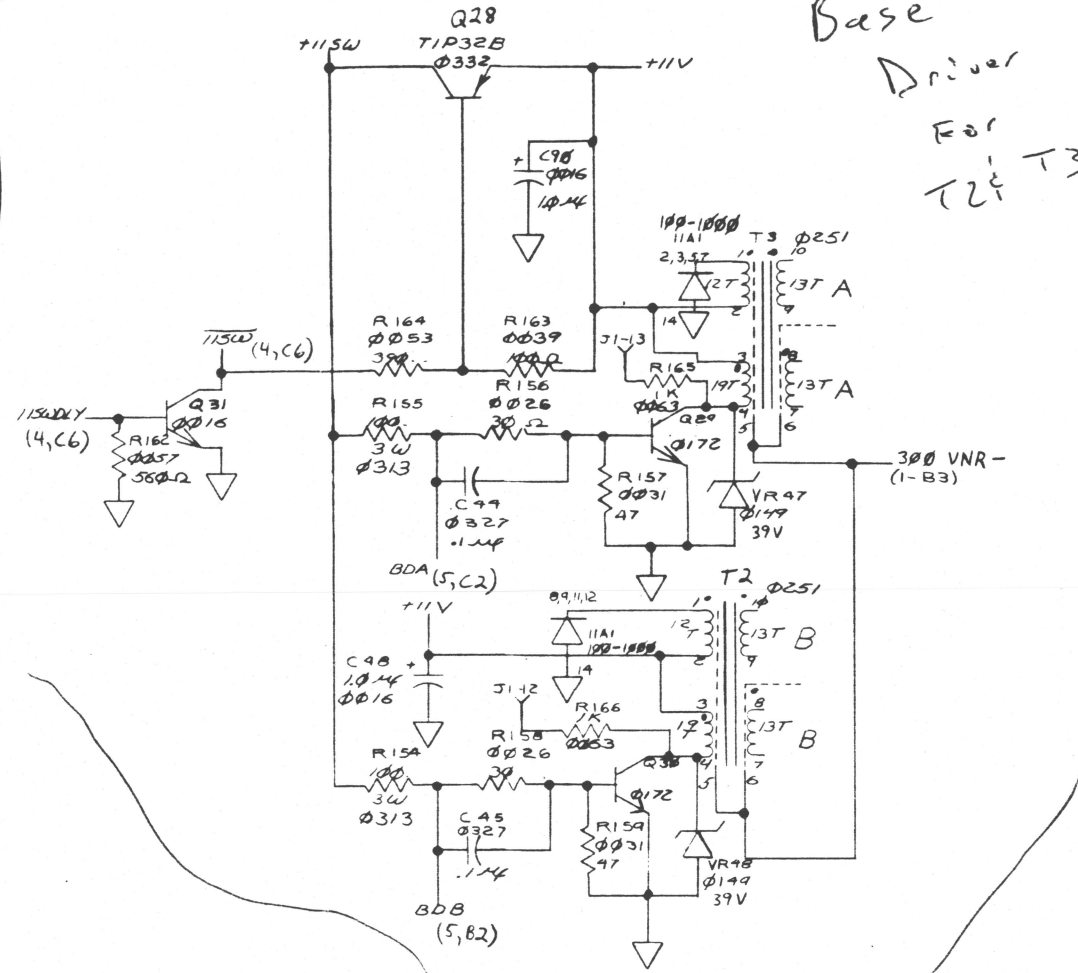
THIS DRAWING AND SPECIFICATIONS HEREIN ARE THE PROPERTY OF DATA GENERAL CORPORATION AND SHALL NOT BE REPRODUCED OR COPIED OR USED IN WHOLE OR IN PART AS THE BASIS FOR MANUFACTURE OR SALE OF ITEMS WITHOUT WRITTEN PERMISSION

REVISIONS				
REV	DESCRIPTION	DRFTG	APP BY	DATE
ECO				

Base Driver for T4

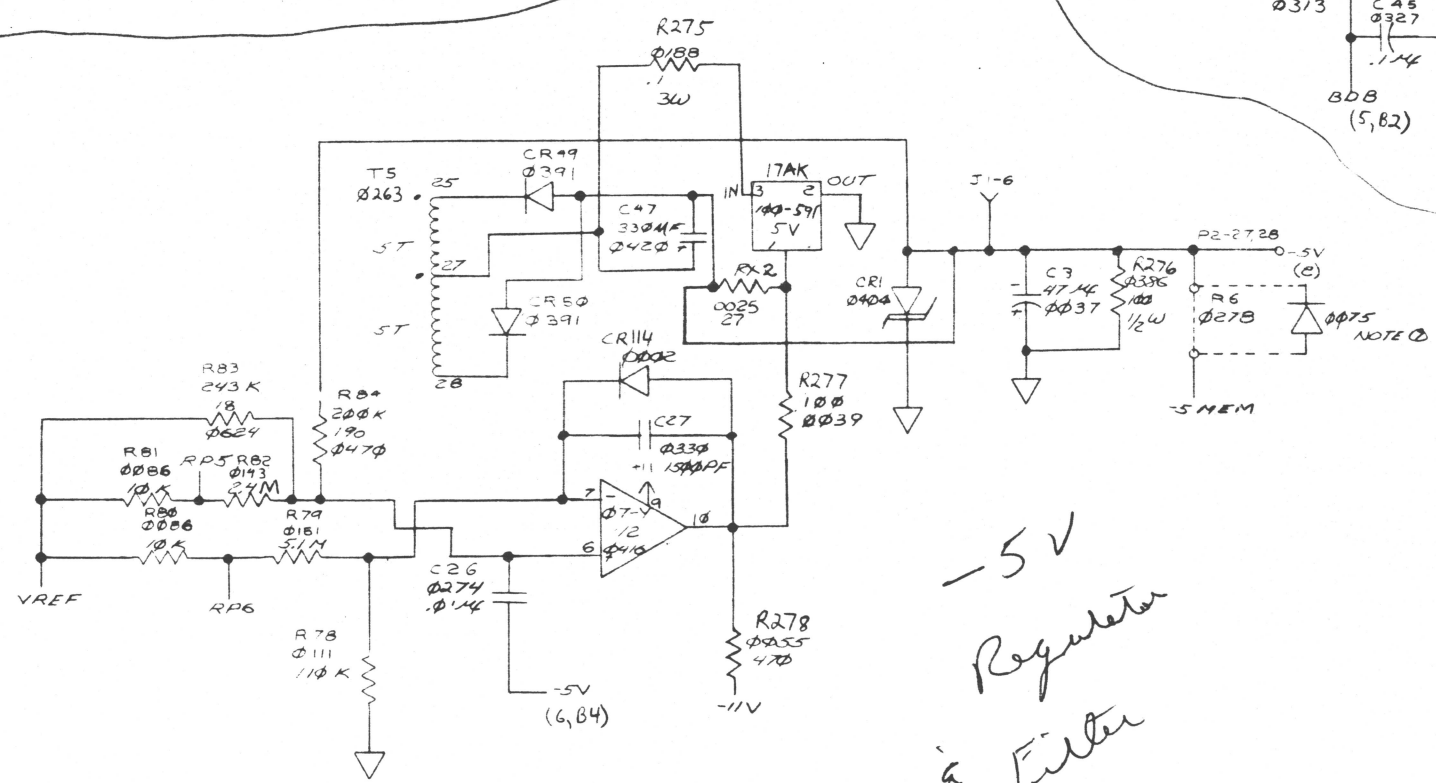


Base Driver For T2 & T3



Secondaries all on sheet 1

-5V Regulator & Filter



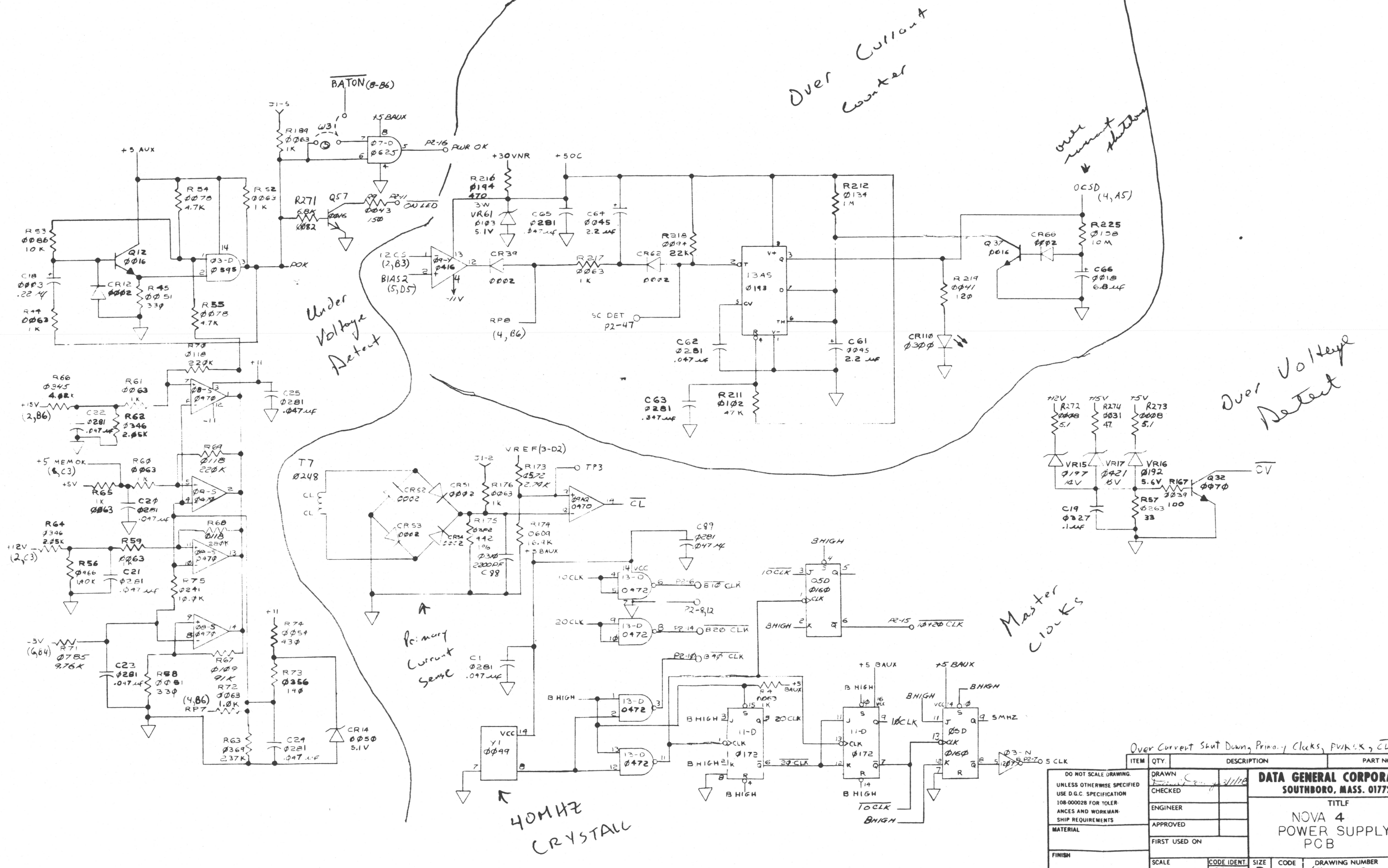
Base Drivers (Primary side), -5 Volt Output

ITEM	QTY	DESCRIPTION	PART NO.
DO NOT SCALE DRAWING. UNLESS OTHERWISE SPECIFIED USE D.G.C. SPECIFICATION 108-000028 FOR TOLERANCES AND WORKMANSHIP REQUIREMENTS.			
DRAWN		Mark Bullock	2/21/78
CHECKED			
ENGINEER			
APPROVED			
FIRST USED ON			
SCALE		CODE IDENT.	SIZE CODE DRAWING NUMBER REV
		34984	D 1001001524 10

DATA GENERAL CORPORATION
SOUTHBORO, MASS. 01772
TITLE
NOVA 4
POWER SUPPLY
PCB

THIS DRAWING AND SPECIFICATIONS HEREIN ARE THE PROPERTY OF DATA GENERAL CORPORATION AND SHALL NOT BE REPRODUCED OR COPIED OR USED IN WHOLE OR IN PART AS THE BASIS FOR MANUFACTURE OR SALE OF ITEMS WITHOUT WRITTEN PERMISSION

REVISIONS			
REV	DESCRIPTION	DRTG	APP BY D.



Over Current Shut Down Primary Clocks, PWRCLK, CL, OV

ITEM	QTY.	DESCRIPTION	PART NO

DO NOT SCALE DRAWING. UNLESS OTHERWISE SPECIFIED USE D.G.C. SPECIFICATION 108-000028 FOR TOLERANCES AND WORKMANSHIP REQUIREMENTS		DRAWN CHECKED	DATA GENERAL CORPORATION SOUTHBORO, MASS. 01772 TITLE NOVA 4 POWER SUPPLY PCB
MATERIAL		ENGINEER	
FINISH		APPROVED	
		FIRST USED ON	
SCALE	CODE IDENT.	SIZE	CODE
	34984	D	
DRAWING NUMBER		RF	
001001524		10	

