

THIS DRAWING AND SPECIFICATIONS, HEREIN, ARE THE PROPERTY OF DATA GENERAL CORPORATION AND SHALL NOT BE REPRODUCED OR COPIED OR USED IN WHOLE OR IN PART AS THE BASIS FOR MANUFACTURE OR SALE OF ITEMS WITHOUT WRITTEN PERMISSION.

A1

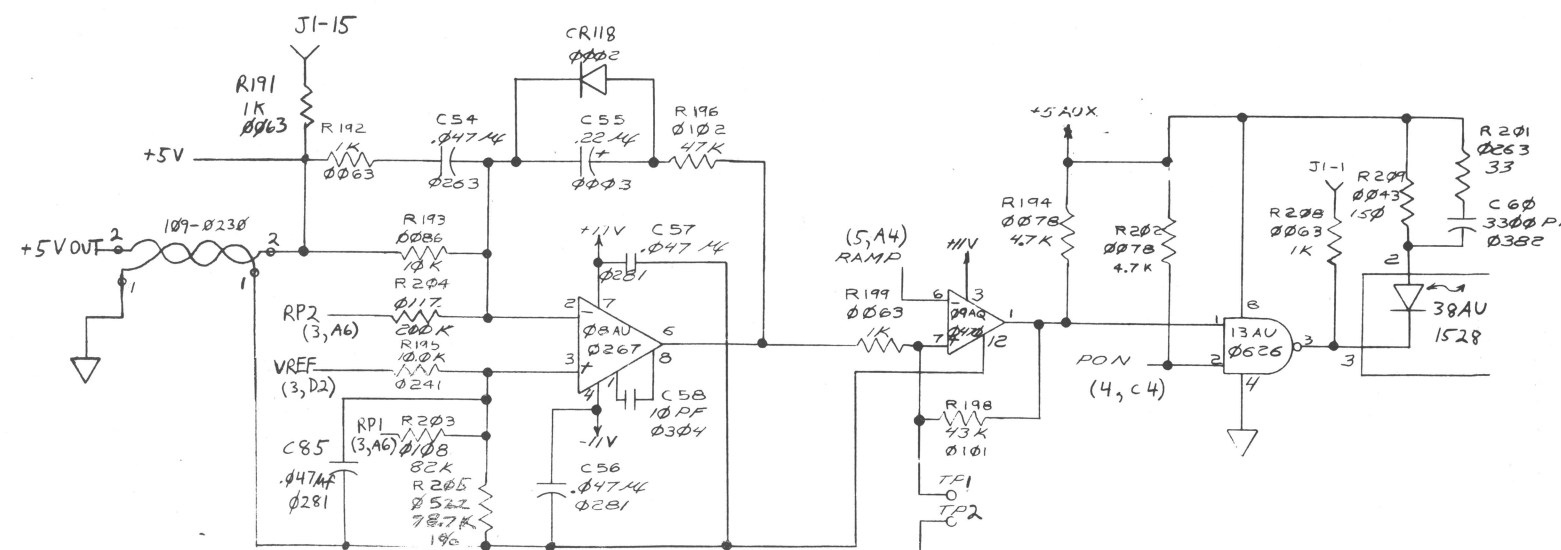
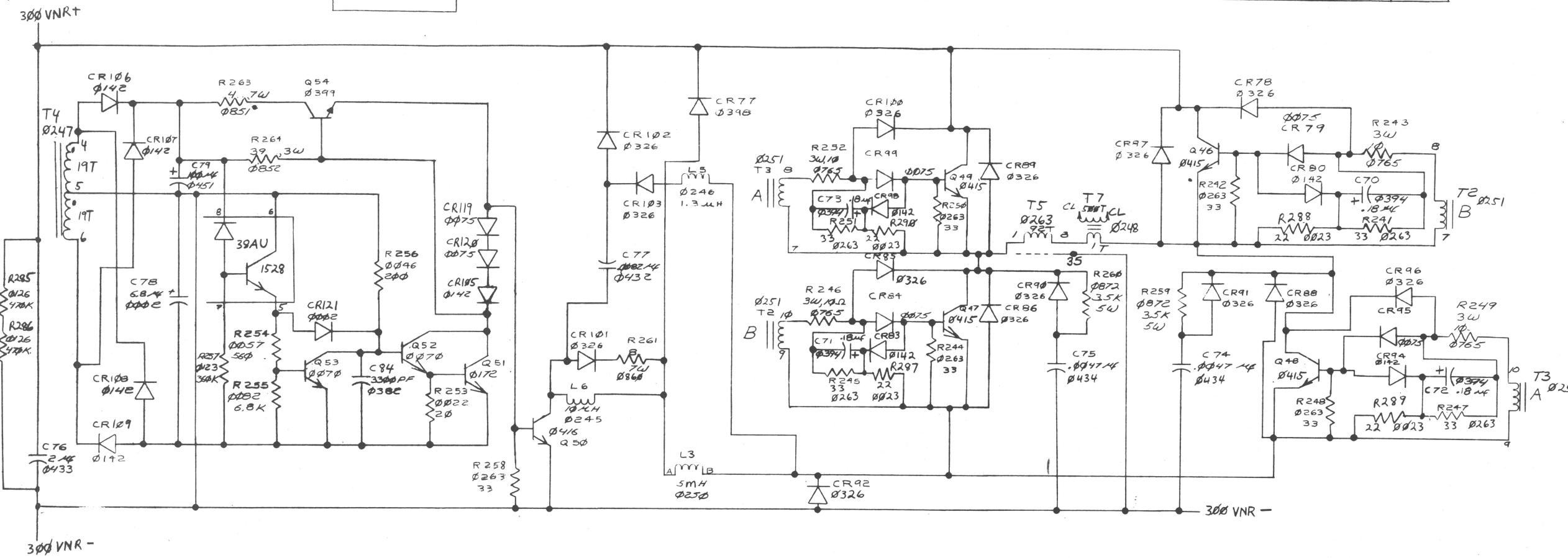
EMI FILTER  
DPA1MP1621

300 VNR +

300 VNR -

VOLTAGE	RANGE	I <sub>MIN</sub>	I <sub>MAX</sub>
+5V	5.1-5.2	15	100
+12V	12.1-12.4	0	12.5
-5V	4.9-5.1	0	3
+15V	14.6-15.3	0	1.5
+12M	11.0-12.1	0	6
+5M	4.8-5.1	.25	4.5
-5M	4.9-5.1	0	.3

REVISIONS				
REV.	DESCRIPTION	DRFTG.	APP. BY	DATE
00	Released per E566			
01	ECO # E570 A	JLB	R.W.	1/27/79
02	ECO E595	2/3/79		2/3/79
03	ECO F816	2/3/79		2/3/79



TEST POINTS

1	PWM
2	CURRENT
3	FEAR FAIL
4	HVS
5	POK
6	-5V
7	+5AUX
8	H5V
9	GND
10	+12V
11	PCU
12	Q30-C
13	Q29-C
14	VREF
15	+5V
16	24K

WARNING: HAZARDOUS VOLTAGES EXIST ON THIS UNIT. SERVICE MUST ONLY BE PERFORMED BY QUALIFIED PERSONNEL.

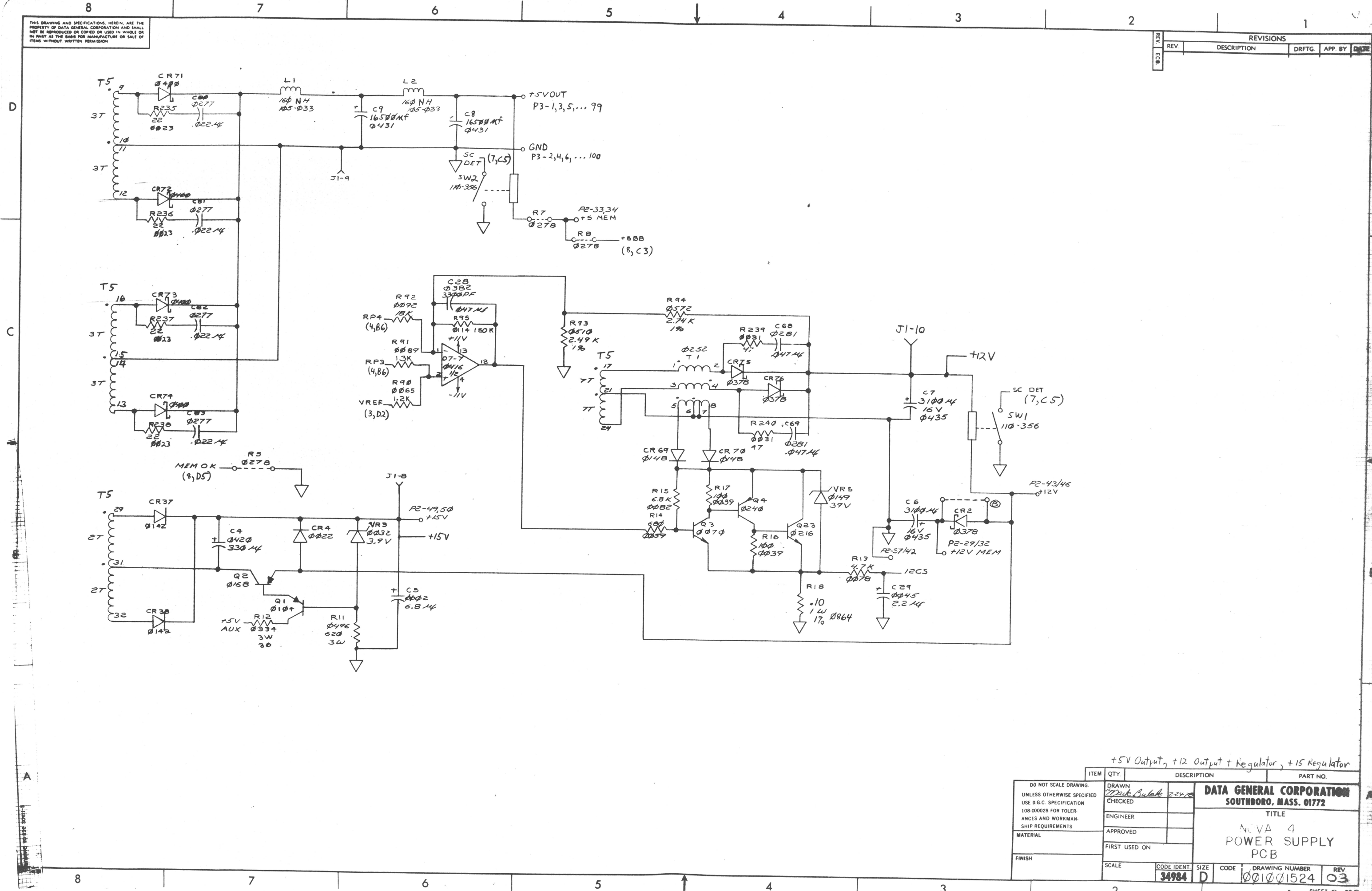
SEE PAGE 3 FOR ALL NOTES.

+5 Regulator, HV Switching Section

DO NOT SCALE DRAWING. UNLESS OTHERWISE SPECIFIED USE D.G.C. SPECIFICATION 108-00028 FOR TOLERANCES AND WORKMANSHIP REQUIREMENTS	DRAWN Mark Bulak 2/14/78	CHECKED ✓	ENGINEER L.S. Wills 1/23/79	APPROVED C. J. Cleary 4/17/79	MATERIAL	FINISH	SCALE	CODE IDENT.	SIZE	CODE	DRAWING NUMBER 001001524	REV. 03
DATA GENERAL CORPORATION SOUTHBORO, MASS. 01772					TITLE NOVA 4 POWER SUPPLY PCB			34984	D		1	1 OF 8

THIS DRAWING AND SPECIFICATIONS HEREIN ARE THE PROPERTY OF DATA GENERAL CORPORATION AND SHALL NOT BE REPRODUCED OR COPIED OR USED IN WHOLE OR IN PART AS THE BASIS FOR MANUFACTURE OR SALE OF ITEMS WITHOUT WRITTEN PERMISSION.

REVISIONS			
REV.	DESCRIPTION	DRFTG.	APP. BY
ECB			



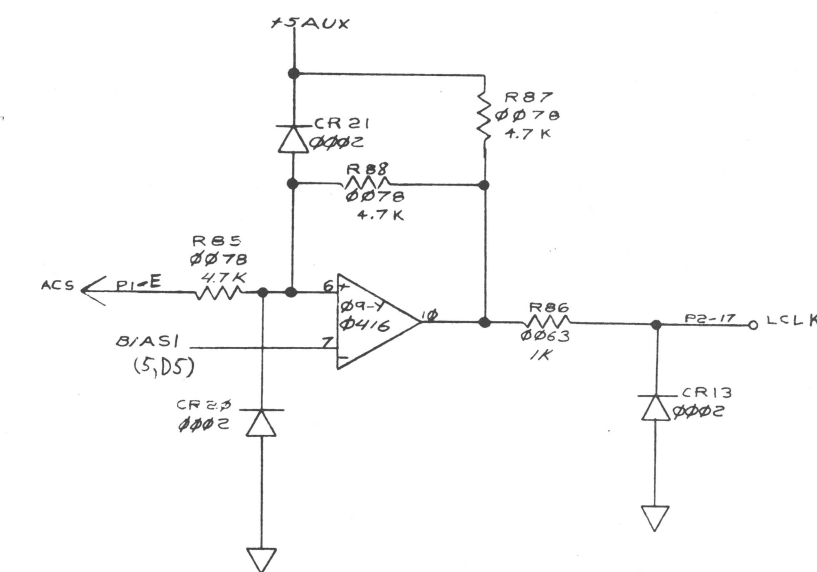
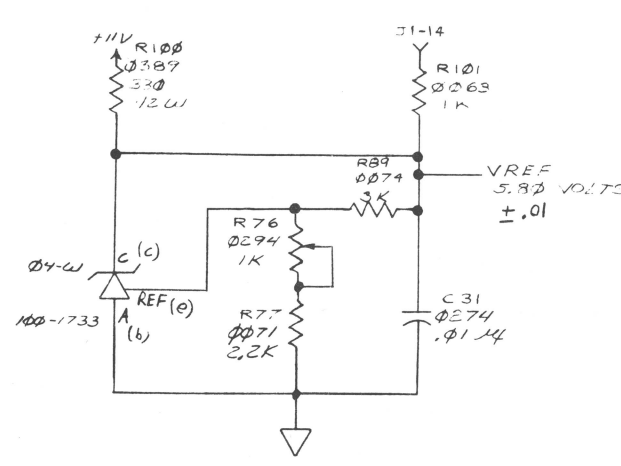
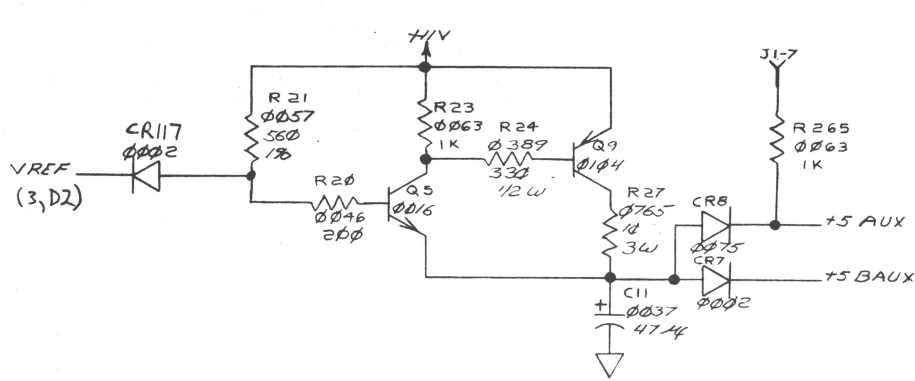
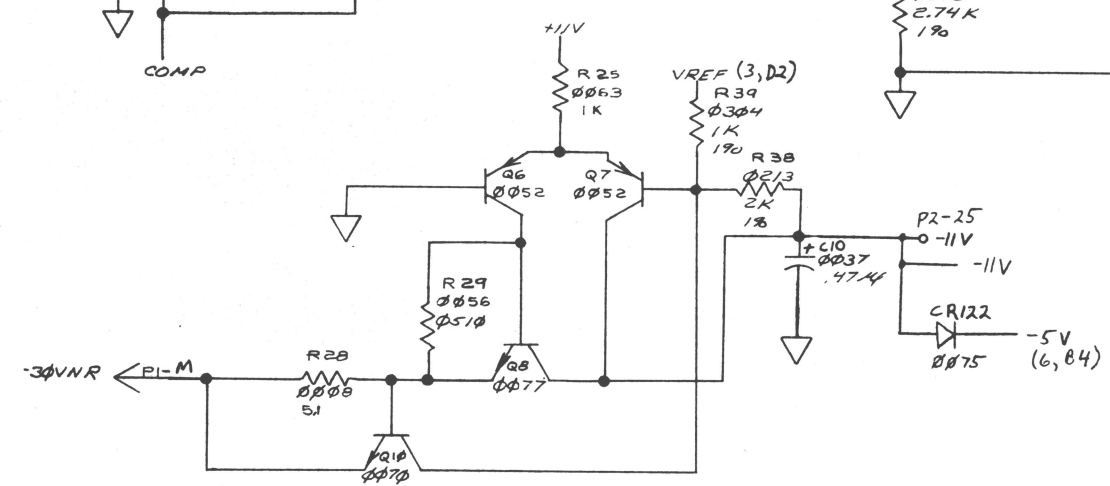
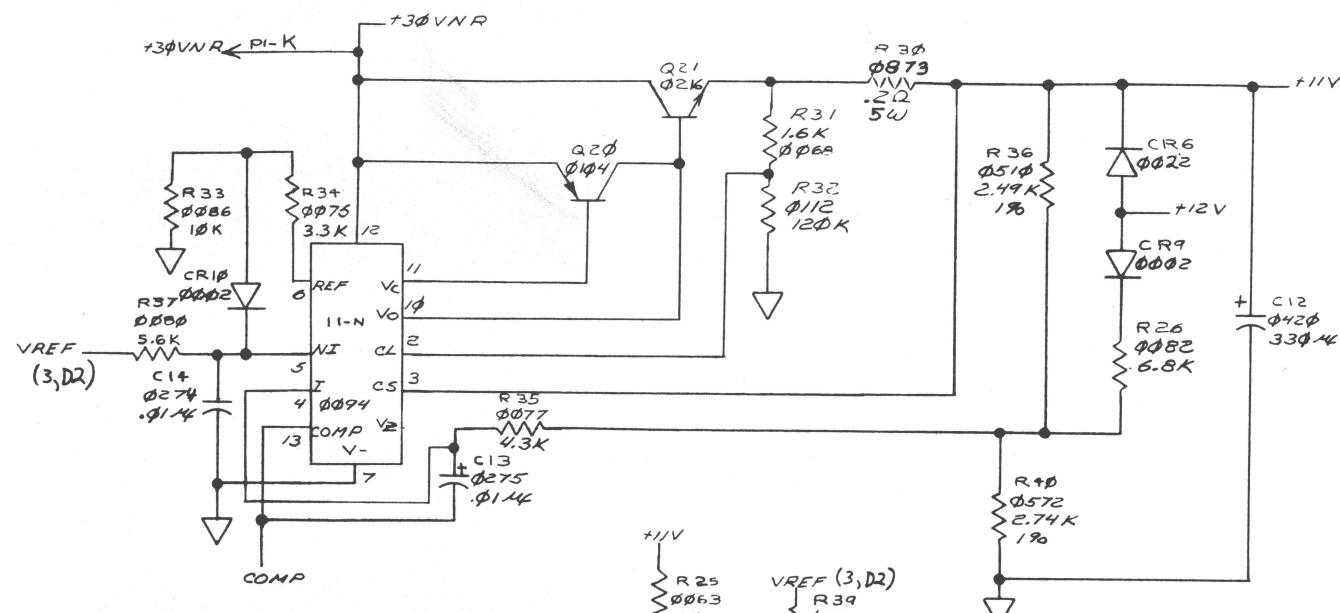
ITEM	QTY.	DESCRIPTION	PART NO.
DO NOT SCALE DRAWING. UNLESS OTHERWISE SPECIFIED USE D.G.C. SPECIFICATION 108-00028 FOR TOLERANCES AND WORKMANSHIP REQUIREMENTS			
MATERIAL			
FINISH			
SCALE	CODE IDENT.	SIZE	CODE
	34984	D	
DRAWING NUMBER		REV.	
001001524		03	

DATA GENERAL CORPORATION  
SOUTHBORO, MASS. 01772

TITLE  
NOVA 4  
POWER SUPPLY  
PCB

THIS DRAWING AND SPECIFICATIONS, HEREIN, ARE THE PROPERTY OF DATA GENERAL CORPORATION AND SHALL NOT BE REPRODUCED OR COPIED OR USED IN WHOLE OR IN PART AS THE BASIS FOR MANUFACTURE OR SALE OF ITEMS WITHOUT WRITTEN PERMISSION.

REVISIONS			
REV.	DESCRIPTION	DRFTG.	APP. BY



- NOTES:
- = 50 EDGE PIN CONNECTORS
  - ← = HIGH VOLTAGE EDGE CONNECTORS
  - TP = TO TEST POINT AT FRONT OF CARD
  - TP X = TERMI-PIN TEST POINT
  - W3 CONNECTS TO BATAW FOR BBU VERSION, TO 07-D PIN 6 FOR NON-BBU VERSION.
  - R5, R7 NOT INSTALLED ON BBU VERSION.
  - R6 IS 102-0278 FOR BBU VERSION, 101-0075 FOR NON-BBU VERSION.
  - CR2 INSTALLED ON BBU VERSION, REPLACED BY JUMPER WIRE ON NON-BBU VERSION.
  - CR35-CR38, CR99, CR50 TO BE STOOD ON END ALLOWING NO LEAD LENGTH BETWEEN P.C.B AND DIODE.
  - ALL COMPONENTS ON PAGE B ARE FOR BATTERY BACKUP ONLY EXCEPT R07, R10B, C32, CR23 AND ASSOCIATED JUMPER.

+11, -11, and +5Aux terminals, VREF, LCLK

ITEM	QTY.	DESCRIPTION	PART NO.

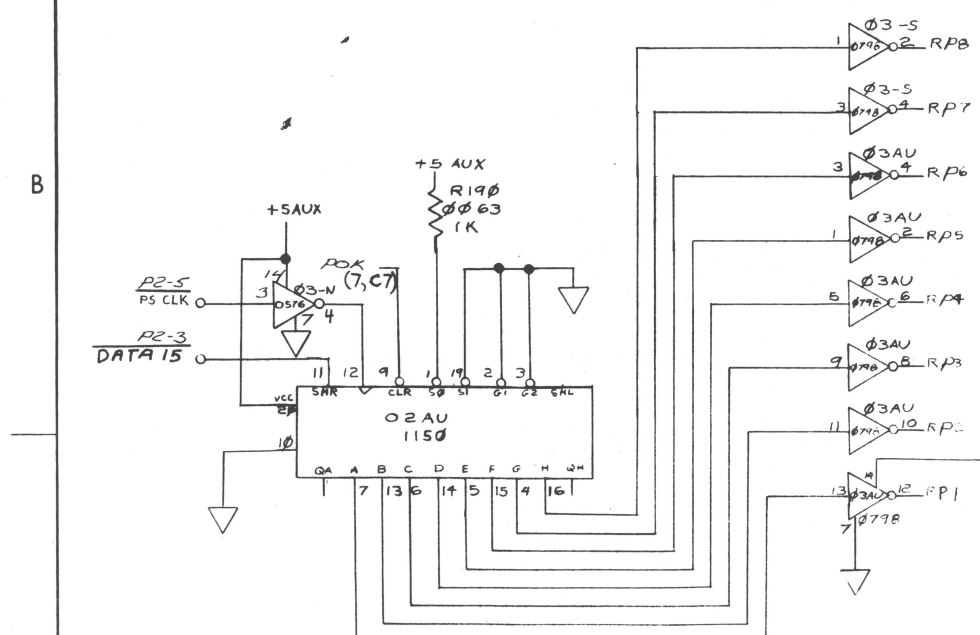
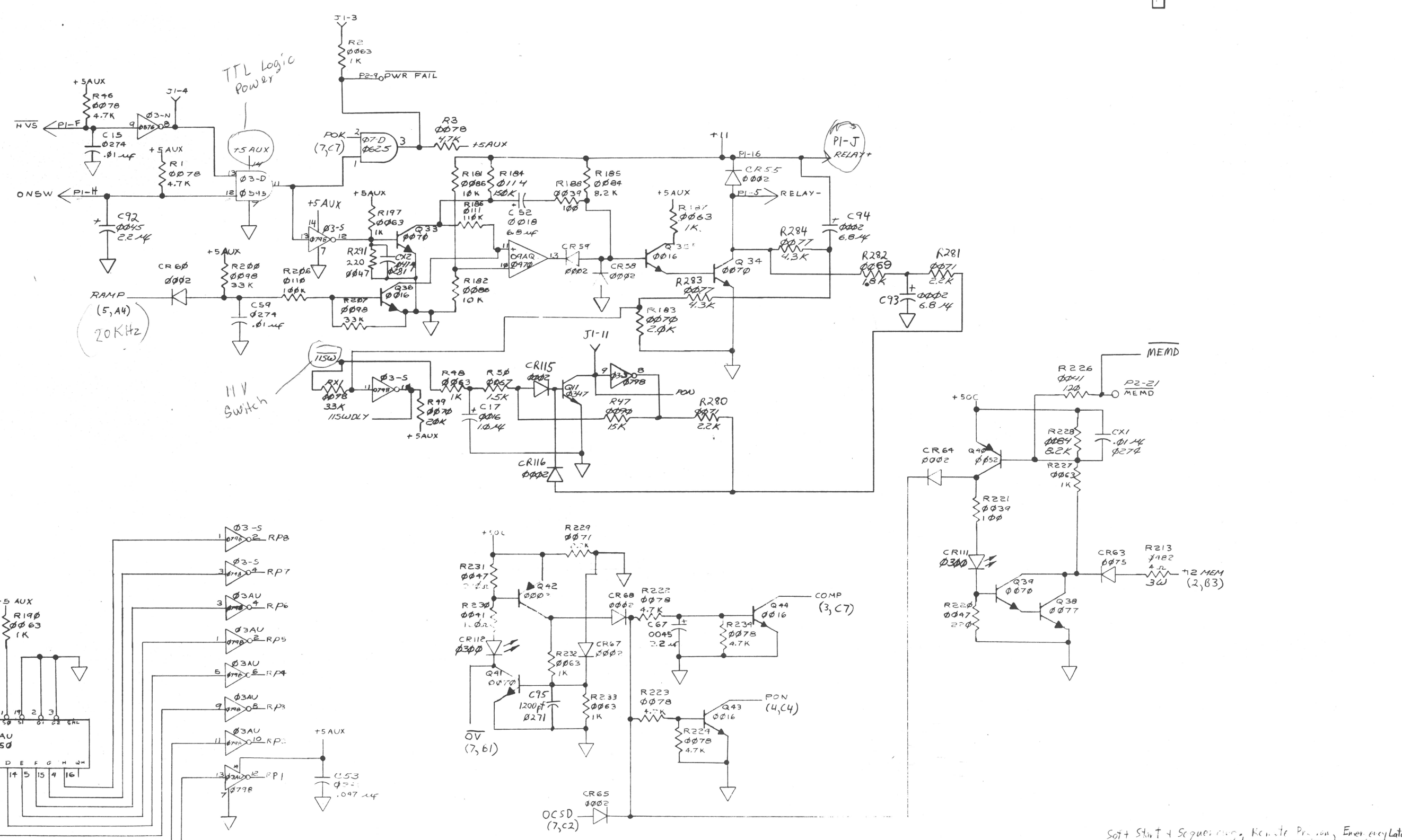
  

DO NOT SCALE DRAWING UNLESS OTHERWISE SPECIFIED USE D.G.C. SPECIFICATION 108-000028 FOR TOLERANCES AND WORKMANSHIP REQUIREMENTS	DRAWN Mik Pulab	<b>DATA GENERAL CORPORATION</b> SOUTHBORO, MASS. 01772	
MATERIAL	CHECKED	TITLE NOVA POWER SUPPLY PCB	
FINISH	ENGINEER	SCALE	DRAWING NUMBER
	APPROVED	34984	001001524
	FIRST USED ON	SIZE	REV
		D	03

DRAWING 40-538 20411-2

THIS DRAWING AND SPECIFICATIONS, HEREIN, ARE THE PROPERTY OF DATA GENERAL CORPORATION AND SHALL NOT BE REPRODUCED OR COPIED OR USED IN WHOLE OR IN PART AS THE BASIS FOR MANUFACTURE OR SALE OF ITEMS WITHOUT WRITTEN PERMISSION

REVISIONS				
REV.	DESCRIPTION	DRFTG.	APP. BY	DATE



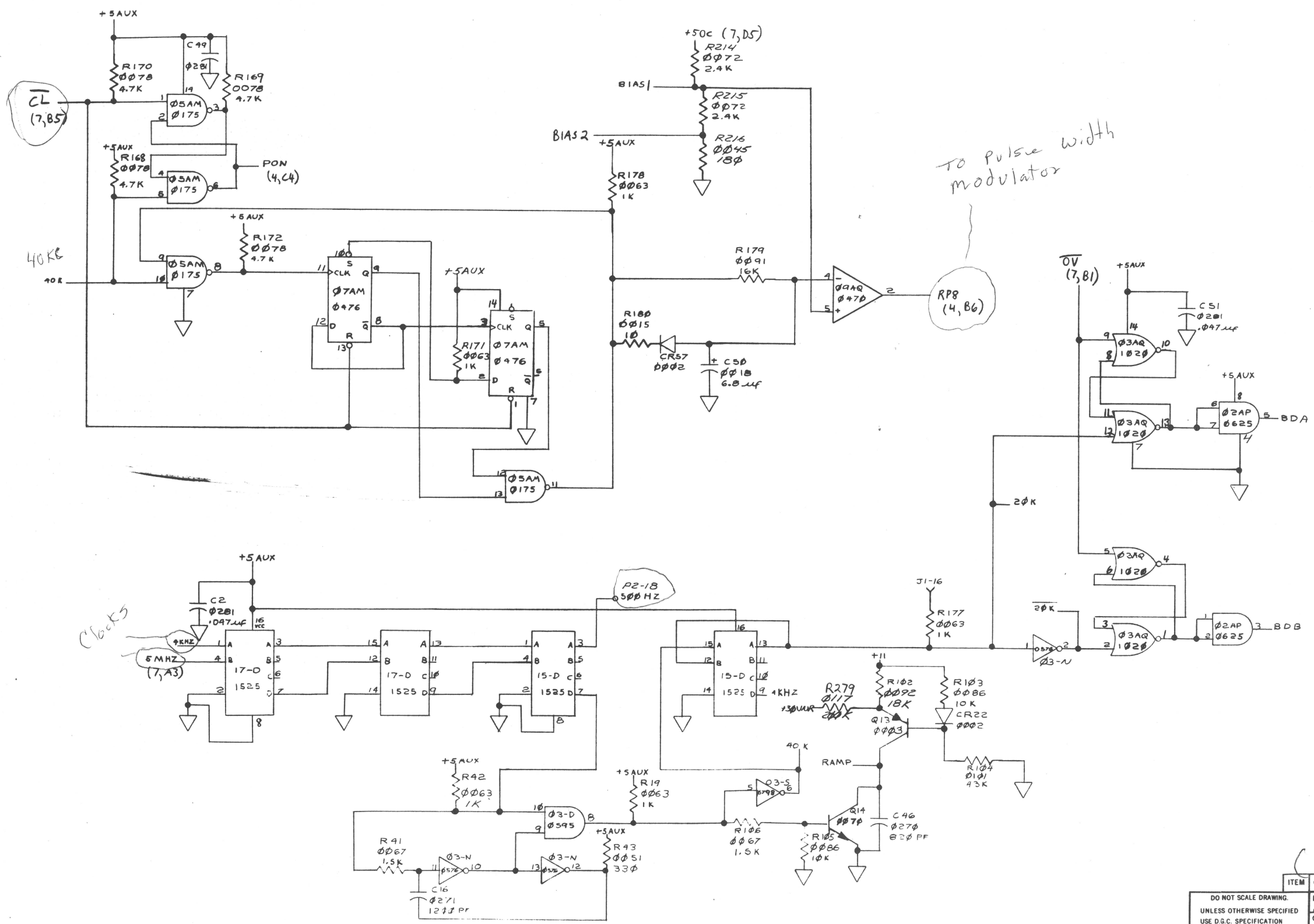
Soft Start + Sequencing, Remote Powering, Emergency Latches

ITEM	QTY	DESCRIPTION	PART NO.

DO NOT SCALE DRAWING. UNLESS OTHERWISE SPECIFIED USE D.G.C. SPECIFICATION 108000028 FOR TOLER- ANCES AND WORKMAN- SHIP REQUIREMENTS	DRAWN CHECKED ENGINEER APPROVED FIRST USED ON	<b>DATA GENERAL CORPORATION</b> SOUTHBORO, MASS. 01772 TITLE VVA POWER SUPPLY PCB	
SCALE	CODE IDENT.	SIZE	CODE
	34984	D	
DRAWING NUMBER	REV		
001001524	03		

THIS DRAWING AND SPECIFICATIONS, HEREIN, ARE THE PROPERTY OF DATA GENERAL CORPORATION AND SHALL NOT BE REPRODUCED OR COPIED OR USED IN WHOLE OR IN PART AS THE BASIS FOR MANUFACTURE OR SALE OF ITEMS WITHOUT WRITTEN PERMISSION.

REVISIONS			
REV.	DESCRIPTION	DRFTG.	APP. BY
ECO			

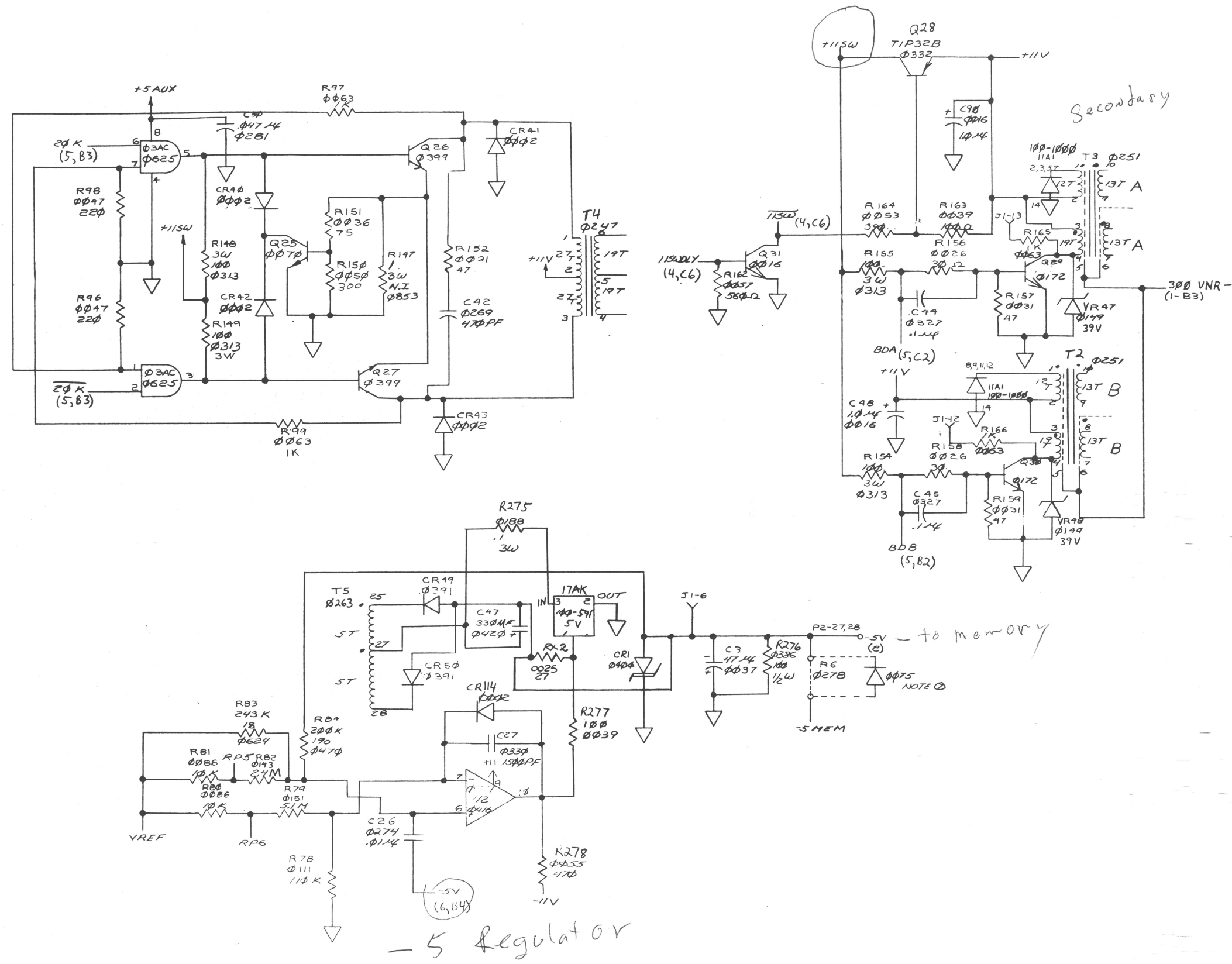


(Secondary Clock Dividers, Overcurrent Counter)

DO NOT SCALE DRAWING. UNLESS OTHERWISE SPECIFIED USE D.G.C. SPECIFICATION 100-000028 FOR TOLER- ANCES AND WORKMAN- SHIP REQUIREMENTS	DRAWN <i>David...</i> CHECKED ENGINEER APPROVED FIRST USED ON	<b>DATA GENERAL CORPORATION</b> SOUTHBORO, MASS. 01772 TITLE NOVA 4 POWER SUPPLY PCB	PART NO.  SCALE CODE IDENT. <b>34984</b> SIZE <b>D</b> CODE DRAWING NUMBER <b>001001524</b> REV. <b>03</b>
---	--	---	---

THIS DRAWING AND SPECIFICATIONS HEREIN ARE THE PROPERTY OF DATA GENERAL CORPORATION AND SHALL NOT BE REPRODUCED OR COPIED OR USED IN WHOLE OR IN PART AS THE BASIS FOR MANUFACTURE OR SALE OF ITEMS WITHOUT WRITTEN PERMISSION

REVISIONS				
REV.	DESCRIPTION	DRFTG.	APP. BY	DATE



Drives High Voltage SW

-5 Regulator

Base Drivers (Primary side), -5 v. It Output

ITEM	QTY.	DESCRIPTION	PART NO.
DO NOT SCALE DRAWING. UNLESS OTHERWISE SPECIFIED USE D.G.C. SPECIFICATION 108-000028 FOR TOLERANCES AND WORKMANSHIP REQUIREMENTS			
MATERIAL			
FINISH			
DRAWN			
CHECKED			
ENGINEER			
APPROVED			
FIRST USED ON			
SCALE			
CODE IDENT.			
SIZE			
CODE			
DRAWING NUMBER			
REV			

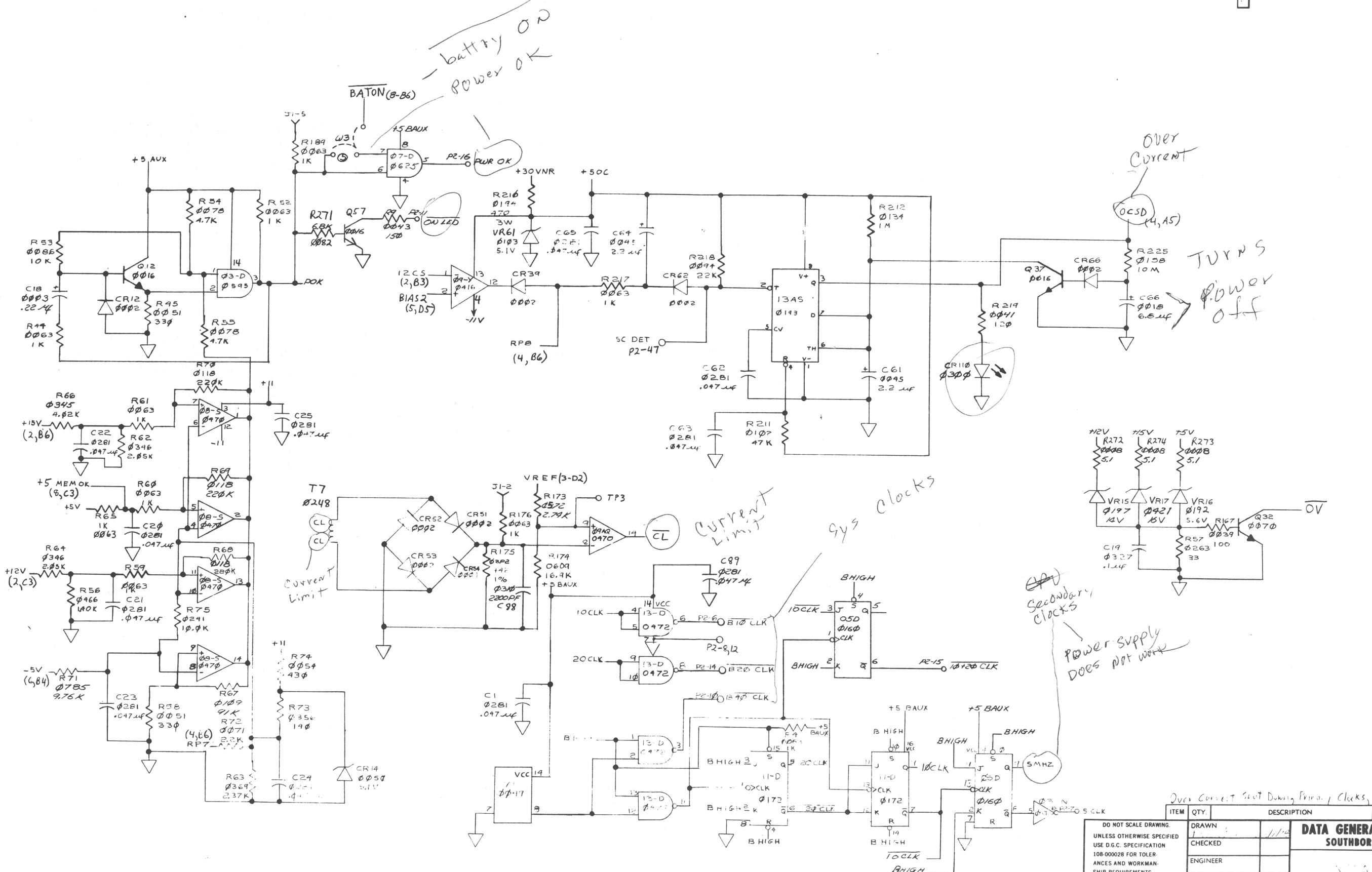
**DATA GENERAL CORPORATION**  
SOUTHBORO, MASS. 01772

TITLE  
NOVA 4  
POWER SUPPLY  
PCB

34984 D 001001524 03

THIS DRAWING AND SPECIFICATIONS, HEREIN, ARE THE PROPERTY OF DATA GENERAL CORPORATION AND SHALL NOT BE REPRODUCED OR COPIED OR USED IN WHOLE OR IN PART AS THE BASIS FOR MANUFACTURE OR SALE OF ITEMS WITHOUT WRITTEN PERMISSION.

REVISIONS			
REV.	DESCRIPTION	DRFTG.	APP. BY



ITEM	QTY.	DESCRIPTION	PART NO.

DO NOT SCALE DRAWING.		DRAWN	
UNLESS OTHERWISE SPECIFIED USE D.G.C. SPECIFICATION 108-00028 FOR TOLERANCES AND WORKMANSHIP REQUIREMENTS		CHECKED	
MATERIAL		APPROVED	
FINISH		FIRST USED ON	
SCALE	CODE IDENT.	SIZE	CODE
	34984	D	
DRAWING NUMBER		REV	
001201524		03	

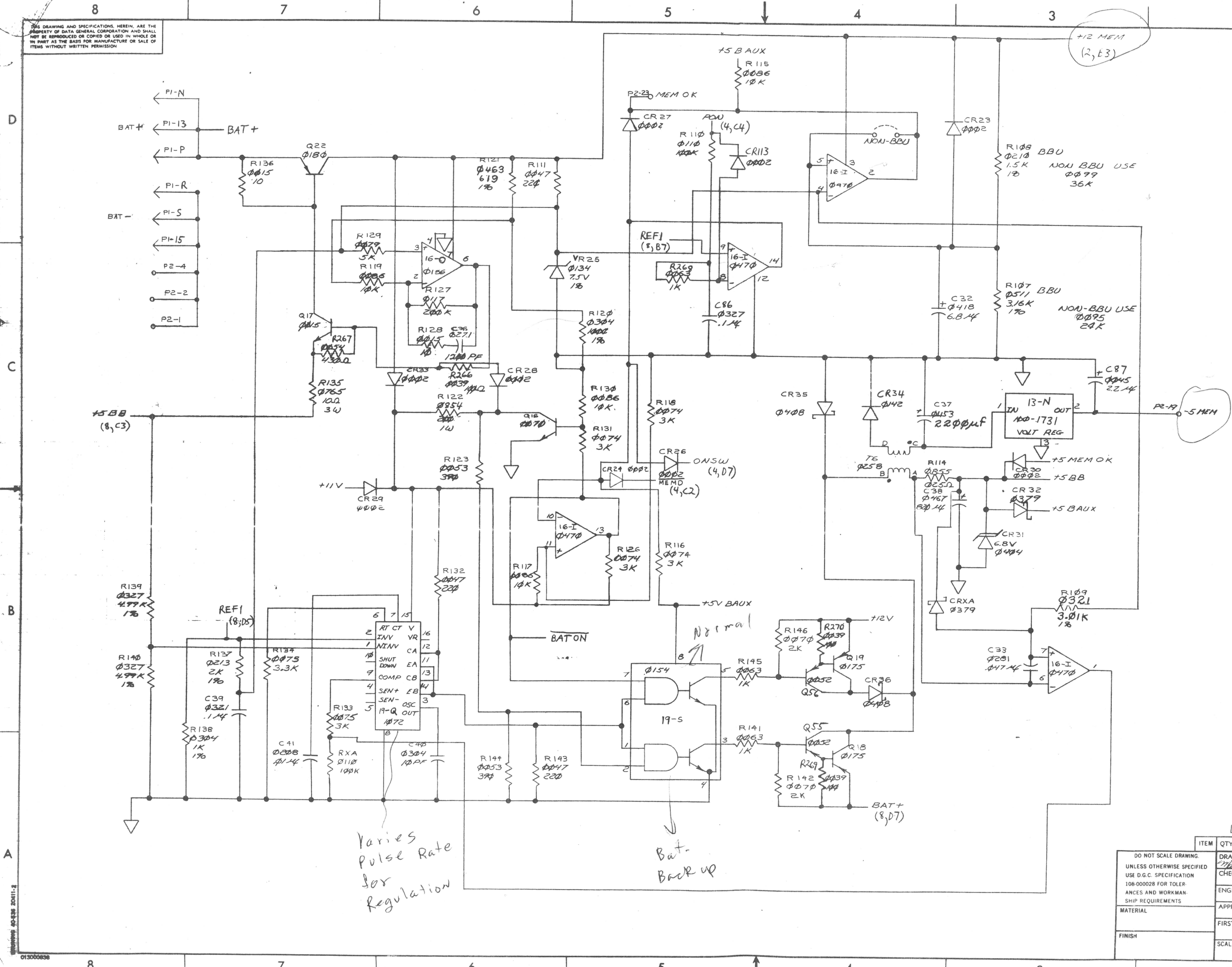
Over Current Shut Down During Primary Clocks, P2-15, CL, OV

**DATA GENERAL CORPORATION**  
SOUTHBORO, MASS. 01772  
**TITLE**  
POWER SUPPLY PCB

40-528 204115

THIS DRAWING AND SPECIFICATIONS, HEREIN, ARE THE PROPERTY OF DATA GENERAL CORPORATION AND SHALL NOT BE REPRODUCED OR COPIED OR USED IN WHOLE OR IN PART AS THE BASIS FOR MANUFACTURE OR SALE OF ITEMS WITHOUT WRITTEN PERMISSION

REVISIONS				
REV	DESCRIPTION	DRFTG	APP. BY	DATE
ECO				



+12 MEM  
(2,E3)

-5 MEM

Varies  
pulse rate  
for  
regulation

Bat-  
Back up

Bat Back up Reg

Battery Back-up (+5MEM, -5MEM, +12MEM)

ITEM	QTY	DESCRIPTION	PART NO.
DO NOT SCALE DRAWING. UNLESS OTHERWISE SPECIFIED USE D.G.C. SPECIFICATION 108-00028 FOR TOLERANCES AND WORKMANSHIP REQUIREMENTS.			
DRAWN	Checked	3/1/78	<b>DATA GENERAL CORPORATION</b> SOUTHBORO, MASS. 01772  TITLE  POWER SUPPLY PCB
CHECKED			
ENGINEER			
APPROVED			
MATERIAL			
FINISH			
SCALE	CODE IDENT.	SIZE	CODE
	34984	D	
			DRAWING NUMBER
			1001001524
			REV
			C3