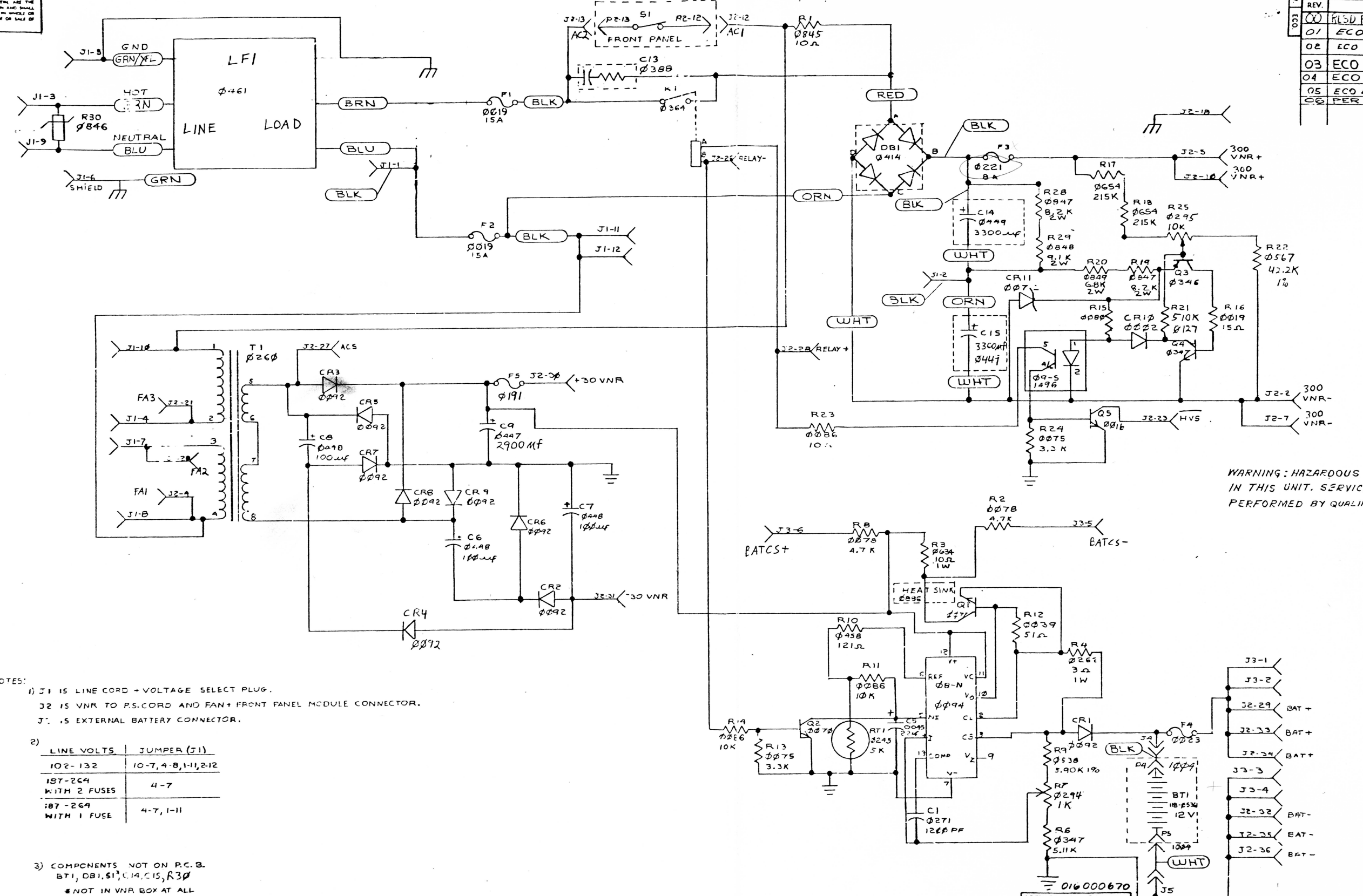


THIS DRAWING AND SPECIFICATIONS HEREIN ARE THE PROPERTY OF DATA GENERAL CORPORATION AND SHALL NOT BE REPRODUCED OR COPIED OR USED IN WHOLE OR IN PART AS THE BASIS FOR MANUFACTURE OR SALE OF ITEMS WITHOUT WRITTEN PERMISSION.

REVISIONS				
REV.	DESCRIPTION	DRFTG.	APP. BY	DATE
00	RESD PER E555			6-24
01	ECO E556			7-24
02	ECO F846			8-3
03	ECO G732	JDS		7/17/74
04	ECO G684			10-14
05	ECO E573			12-23
06	PER ECO I118RC			1-27



WARNING: HAZARDOUS VOLTAGES EXIST IN THIS UNIT. SERVICE MUST ONLY BE PERFORMED BY QUALIFIED PERSONNEL

- NOTES:
- J1 IS LINE CORD + VOLTAGE SELECT PLUG.
J2 IS VNR TO P.S. CORD AND FAN + FRONT PANEL MODULE CONNECTOR.
J3 IS EXTERNAL BATTERY CONNECTOR.

LINE VOLTS	JUMPER (J1)
102-132	10-7, 4-8, 1-11, 2-12
187-264 WITH 2 FUSES	4-7
187-264 WITH 1 FUSE	4-7, 1-11

- COMPONENTS NOT ON P.C.B.
BT1, DB1, S1, C14, C15, R30
NOT IN VNR BOX AT ALL
- R7 SETS BATTERY CHARGER OUTPUT VOLTAGE TO 14.1 VOLTS.
R25 SETS LEVEL OF +300VNR THAT CAUSES HV5 TO GO HIGH (WHEN +300VNR DROPS FROM 300 VOLTS TO 235 VOLTS).

ARTWORK: 107-985-		ITEM QTY		DESCRIPTION		PART NO.	
REV	SCHEMATIC REVIS	DO NOT SCALE DRAWING UNLESS OTHERWISE SPECIFIED USE D.G.C. SPECIFICATION 108-000028 FOR TOLERANCES AND WORKMANSHIP REQUIREMENTS		DRAWN		DATE	
02	04, 02, 03, 04			CHECKED		3/14/75	
03	05, 06			ENGINEER		3/13/75	
				APPROVED		7/17/74	
				FIRST USEL ON		005012371	
				SCALE		D 001 001523 06	
				FINISH			
				MATERIAL			
				THIRD ANGLE PROJECTION			

DATA GENERAL CORPORATION
WESTBORO, MASS. 01581
TITLE
DGC MACHIN:
VNR SECTION