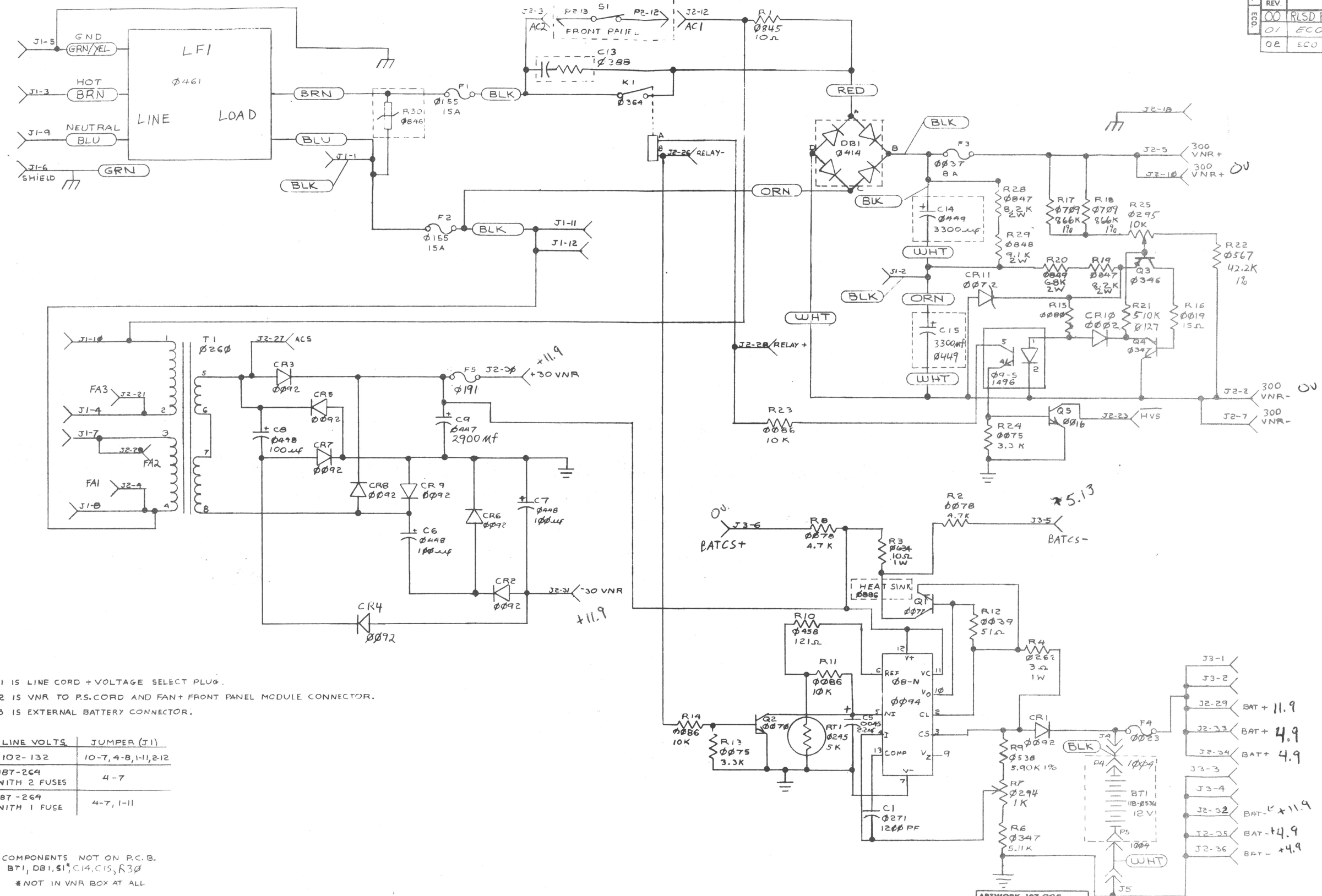


THIS DRAWING AND SPECIFICATIONS, HEREIN, ARE THE PROPERTY OF DATA GENERAL CORPORATION AND SHALL NOT BE REPRODUCED OR COPIED OR USED IN WHOLE OR IN PART AS THE BASIS FOR MANUFACTURE OR SALE OF ITEMS WITHOUT WRITTEN PERMISSION.

REVISIONS				
REV.	DESCRIPTION	DRFTG.	APP. BY	DATE
00	RLSD PER E555			10/18/78
01	ECO E556			11/21/78
02	ECO F846			2-3/79



NOTES:

- J1 IS LINE CORD + VOLTAGE SELECT PLUG.
J2 IS VNR TO P.S. CORD AND FAN + FRONT PANEL MODULE CONNECTOR.
J3 IS EXTERNAL BATTERY CONNECTOR.
- | LINE VOLTS | JUMPER (J1) |
|----------------------|-----------------------|
| 102-132 | 10-7, 4-8, 1-11, 2-12 |
| 187-269 WITH 2 FUSES | 4-7 |
| 187-269 WITH 1 FUSE | 4-7, 1-11 |
- COMPONENTS NOT ON P.C.B.
BT1, DB1, S1, C14, C15, R30
*NOT IN VNR BOX AT ALL
- R7 SETS BATTERY CHARGER OUTPUT VOLTAGE TO 14.1 VOLTS.
R25 SETS LEVEL OF +300VNR THAT CAUSES HV5 TO GO HIGH WHEN +300VNR DROPS FROM 30. VOLTS TO 25 VOLTS.
- C14 AND C15 ARE A MATCHED PAIR OF CAPACITORS WITH A SINGLE PART #.

ARTWORK: 107-985-		ARTWORK VS SCHEMATIC		DESCRIPTION		PART NO.	
REV	SCHEMATIC (REV)	ITEM	QTY.				
02	00, 01, 02						
DO NOT SCALE DRAWING. UNLESS OTHERWISE SPECIFIED USE D.G.C. SPECIFICATION 108-00028 FOR TOLERANCES AND WORKMANSHIP REQUIREMENTS.				DRAWN BY: <i>R. Doung</i> 3/14/78		DATA GENERAL CORPORATION WESTBORO, MASS. 01581	
MATERIAL				ENGINEERED BY: <i>R. Doung</i> 7/13/78		TITLE: DGC MACHINE	
FINISH				APPROVED BY: <i>Carl Verno</i> 7/11/78		VNR SECTION	
THIRD ANGLE PROJECTION				FIRST USED ON: 00501237		DRAWING NUMBER: 001001523	
				SCALE		REV: 02	
				CODE IDENT.		SHEET 1 OF 1	

DRAWING 40-526 35976-1