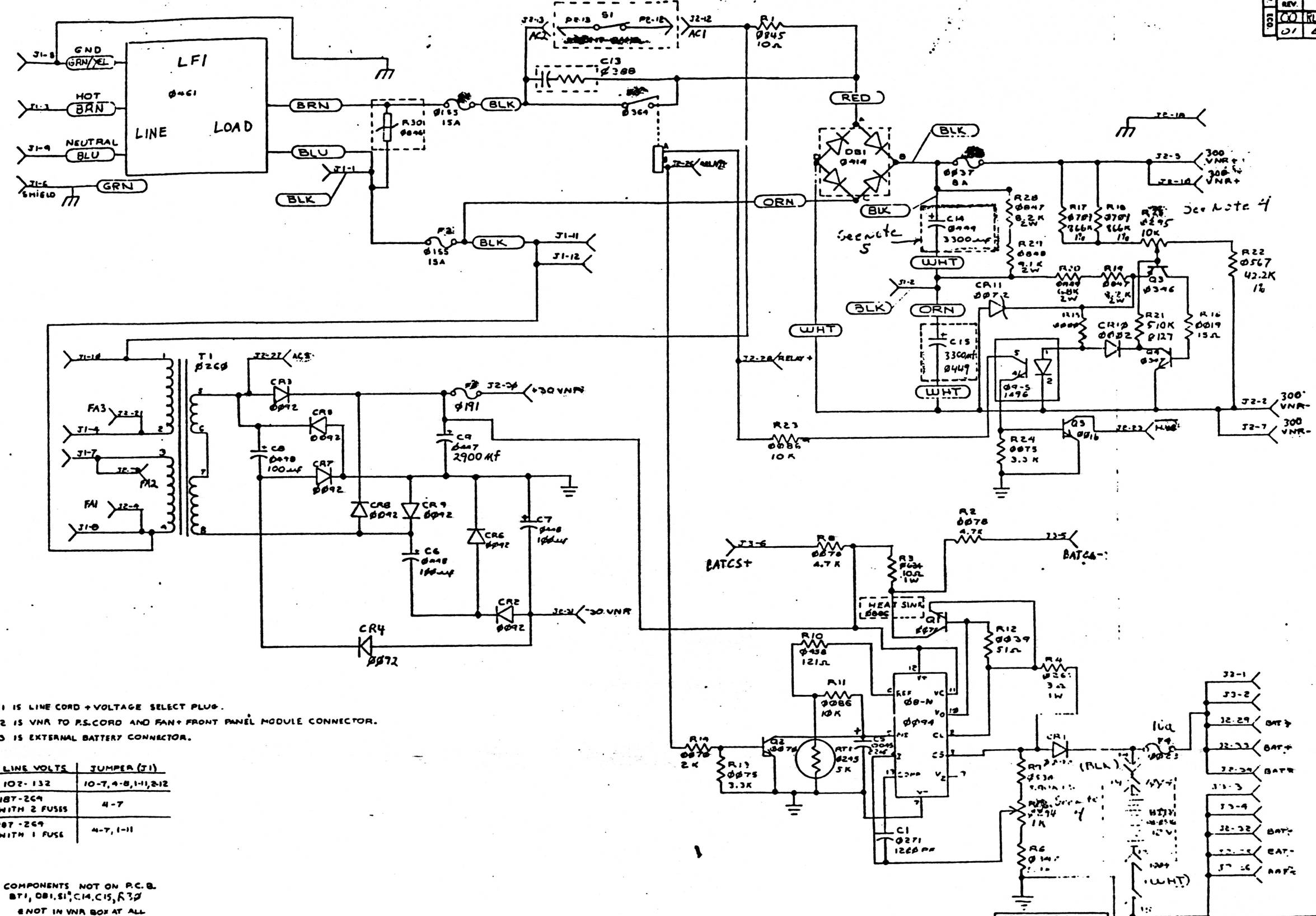


REV	DESCRIPTION	REVISIONS	DATE
00	RSD PER ESS		
01	ECO E576		



- NOTES:
- J1 IS LINE CORD + VOLTAGE SELECT PLUG.
J2 IS VNR TO P.S. CORD AND FAN + FRONT PANEL MODULE CONNECTOR.
J3 IS EXTERNAL BATTERY CONNECTOR.
 - | LINE VOLTS | JUMPER (J1) |
|----------------------|-----------------------|
| 107-132 | 10-7, 9-8, 1-11, 2-12 |
| 187-269 WITH 2 FUSES | 4-7 |
| 187-269 WITH 1 FUSE | 4-7, 1-11 |
 - COMPONENTS NOT ON P.C.B.
BT1, DB1, S1, C14, C15, R30
NOT IN VNR BOX AT ALL
 - R7 SETS BATTERY CHARGER OUTPUT VOLTAGE TO 14.1 VOLTS.
R25 SETS LEVEL OF +300VNR THAT CAUSES HV5 TO GO HIGH (WHEN +300VNR DROPS FROM 300 VOLTS TO 235 VOLTS).
 - C4 AND C15 ARE A MATCHED PAIR OF CAPACITORS WITH A SINGLE FUSE.

REV	DESCRIPTION	DATE	BY
02	00		

ITEM	QTY	DESCRIPTION	PART NO

ARTWORK: 107-1025		DO NOT SCALE DRAWING	
REV	SCH. MARK: N/V/N	UNLESS OTHERWISE SPECIFIED	
02	00	USE DDC SPECIFICATION	
		SEE ORDERS FOR TOLERANCES AND WORKMANSHIP REQUIREMENTS	
		MATERIAL	
		FINISH	
		FIRST USED ON	
		1050137	
		SCALE	
		CODE IDENT	
		SIZE	
		CODE	
		DRAWING NUMBER	
		D 001001523	
		REV	
		0	

DATA GENERAL CORPORATION
WESTBORO, MASS. 01581
TITLE
DDC MACHINE
NOVA 4 s/x
VNR SECTION