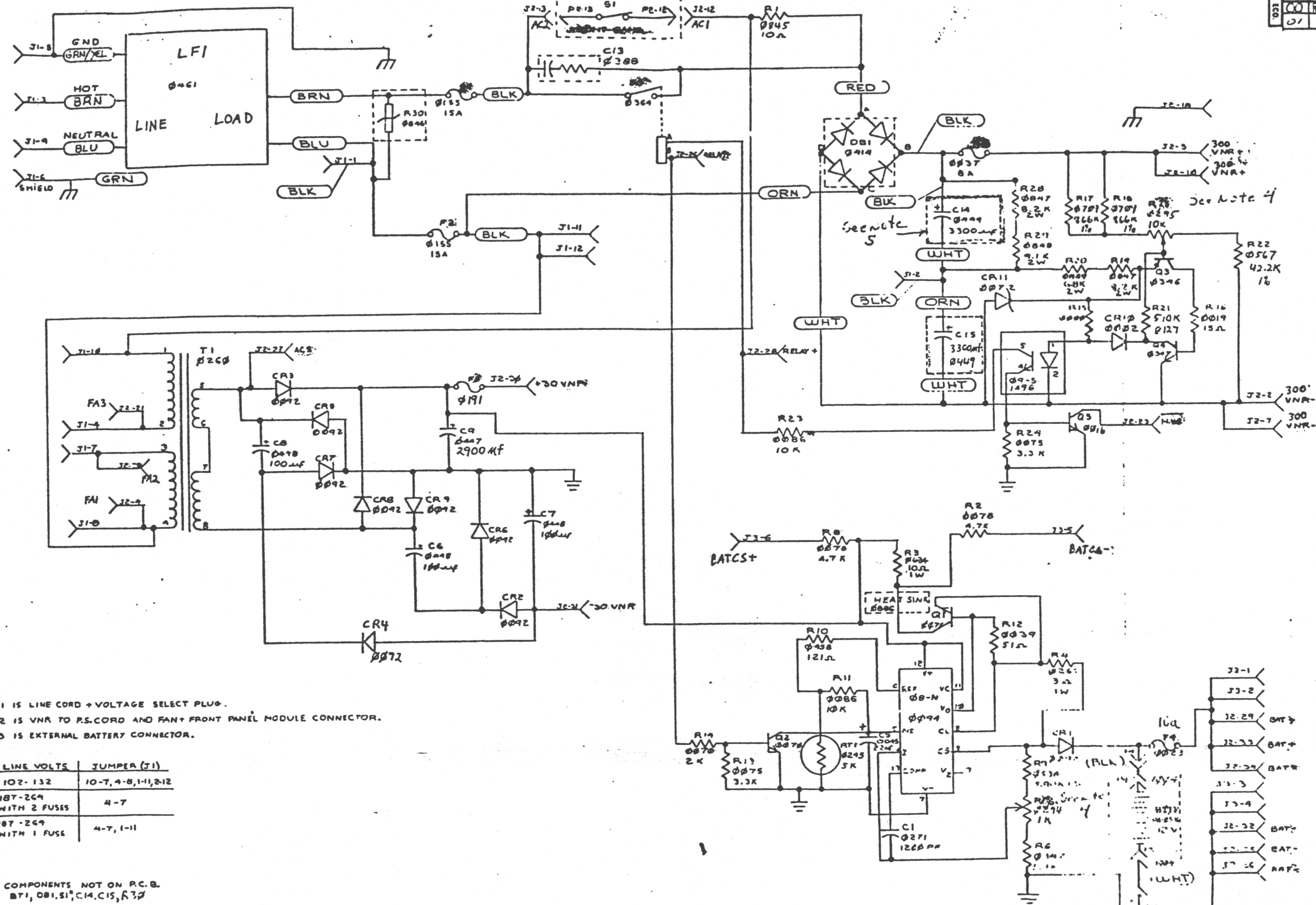


THE DIMENSIONS AND SPECIFICATIONS HEREIN ARE THE PROPERTY OF DATA GENERAL CORPORATION AND SHALL NOT BE REPRODUCED OR COPIED OR USED IN WHOLE OR IN PART AS THE BASIS FOR MANUFACTURE OR SALE OF THIS OR OTHER EQUIPMENT WITHOUT PERMISSION.

REV.	DESCRIPTION	REVISIONS	DWG. NO.	APP. BY	DATE
00	RUSD PER E555				
01	ECO E556				



NOTES:

- J1 IS LINE CORD + VOLTAGE SELECT PLUG.
J2 IS VNR TO P.S. CORD AND FAN + FRONT PANEL MODULE CONNECTOR.
J3 IS EXTERNAL BATTERY CONNECTOR.
- | LINE VOLTS | JUMPER (J1) |
|----------------------|-----------------------|
| 102-132 | 10-7, 4-8, 1-11, 2-12 |
| 187-264 WITH 2 FUSES | 4-7 |
| 187-264 WITH 1 FUSE | 4-7, 1-11 |
- COMPONENTS NOT ON P.C.B.
BT1, DB1, S1, C14, C15, R7, R25
ENOT IN VNR BOX AT ALL
- R7 SETS BATTERY CHARGER OUTPUT VOLTAGE TO 14.1 VOLTS.
R25 SETS LEVEL OF +300VNR THAT CAUSES HV5 TO GO HIGH (WHEN +300VNR DROPS FROM 300 VOLTS TO 235 VOLTS).
- C4 AND C15 ARE A MATCHED PAIR OF CAPACITORS WITH A SINGLE PART #.

REV	ARTWORK VS SCHEMATIC	ITEM	QTY	DESCRIPTION	PART NO
02	00				

DO NOT SCALE DRAWING UNLESS OTHERWISE SPECIFIED	DRAWN BY	5/1/76
USE DDC SPECIFICATION FOR DIMENSIONS	CHECKED	
USE DIMENSIONS FOR TOLERANCES AND WORKMANSHIP REQUIREMENTS	ENGINEER	5/1/76
	APPROVED	5/1/76
	FIRST USED ON	11501-37
	SCALE	
	CODE IDENT	
	SIZE	D
	CODE	001001523
	DRAWING NUMBER	01
	BY	

DATA GENERAL CORPORATION
WESTBORO, MASS. 01581

TITLE
DGC MACHINE
NOVA 4 s/x
VNR SECTION