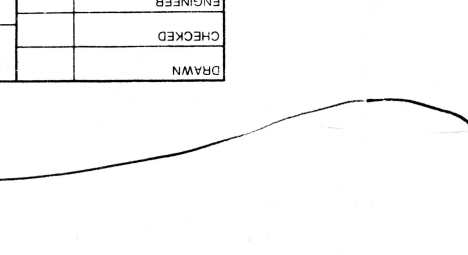
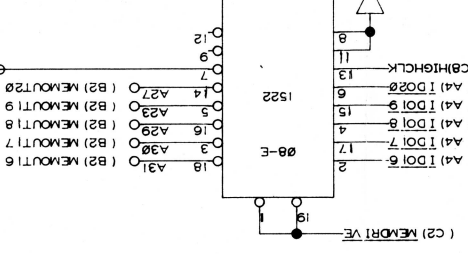
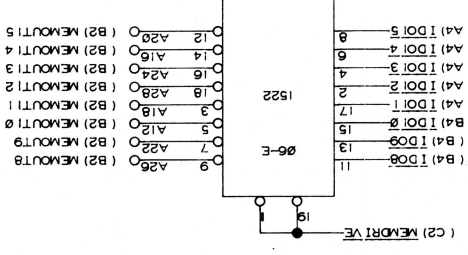
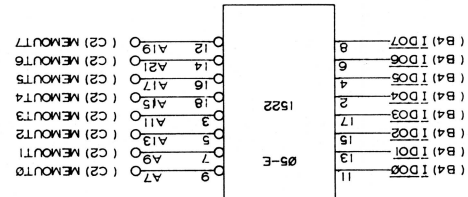
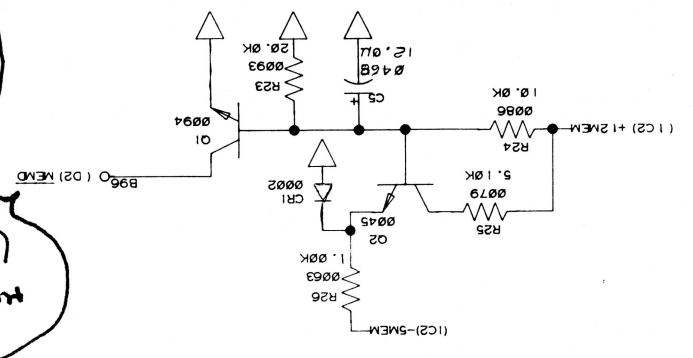
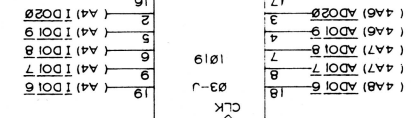
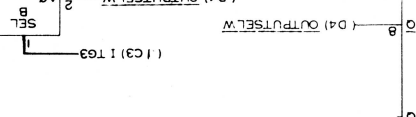
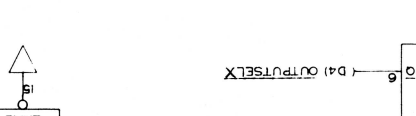
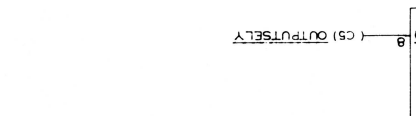
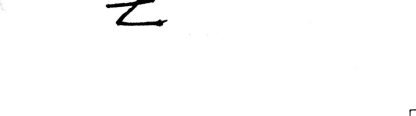
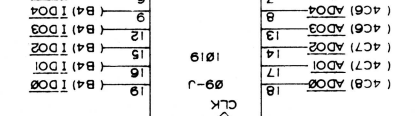
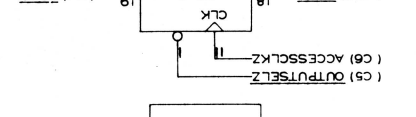
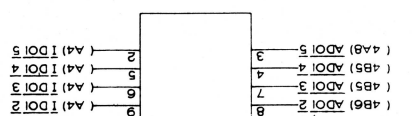
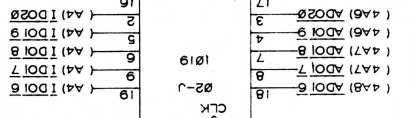
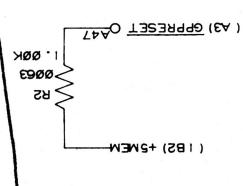
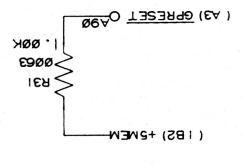


REV	DESCRIPTION	DWG	APP BY	DATE

Hand-lens - 5V
(Memory Distributor)
If low, shift
Down Sup



DATA GENERAL CORPORATION	CHECKED	ENGINEER	APPROVED	FIRST USED ON
SOUTHBORO MASSACHUSETTS 01772				
TITLE				
DGC BBU MEMORY				
DRAWING NUMBER	00101229	REV	03	
SIZE	D	CODE		

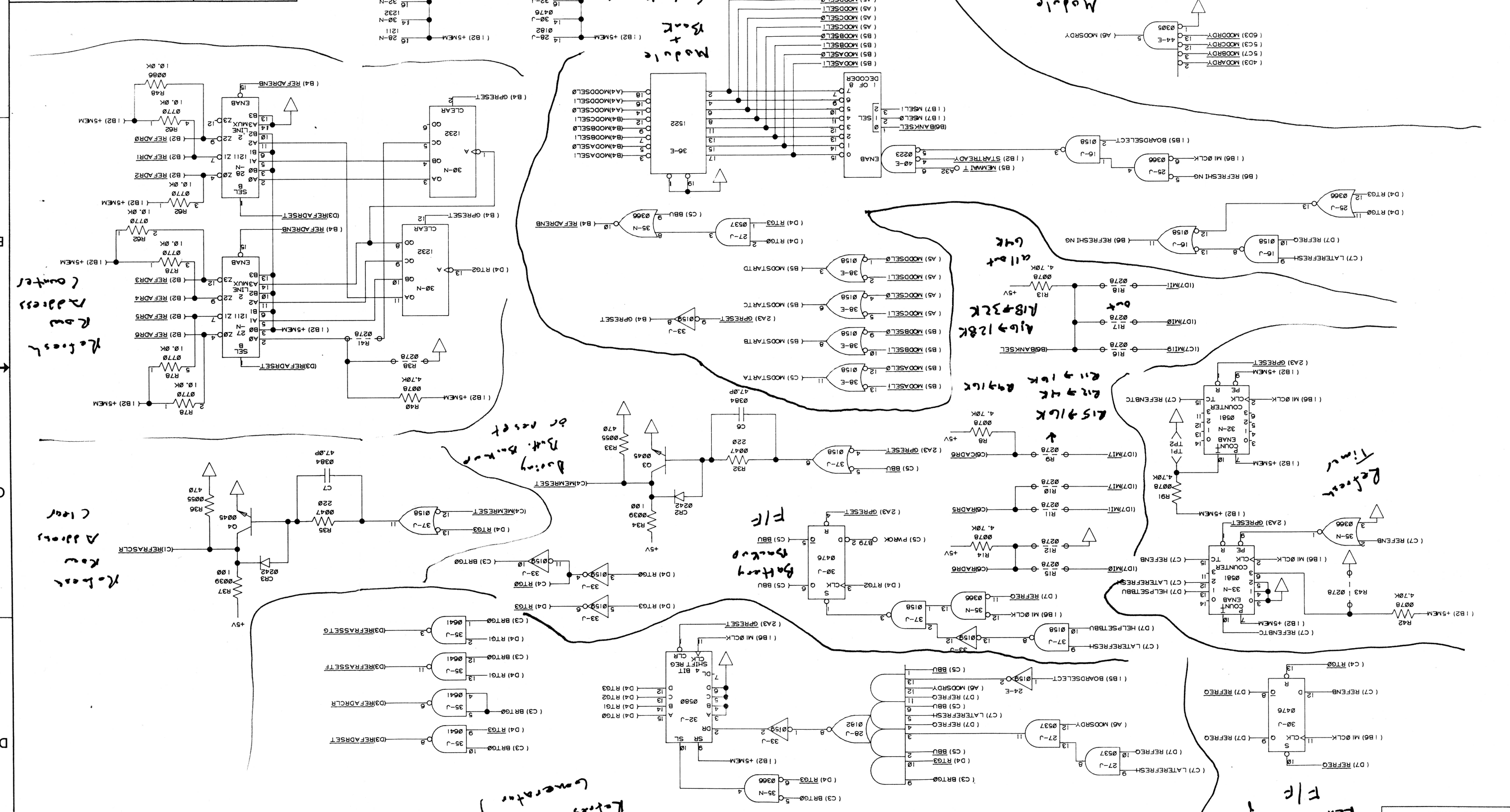


DATA GENERAL CORPORATION
 SOUTHBORO, MASSACHUSETTS 01772

DGC BBU MEMORY

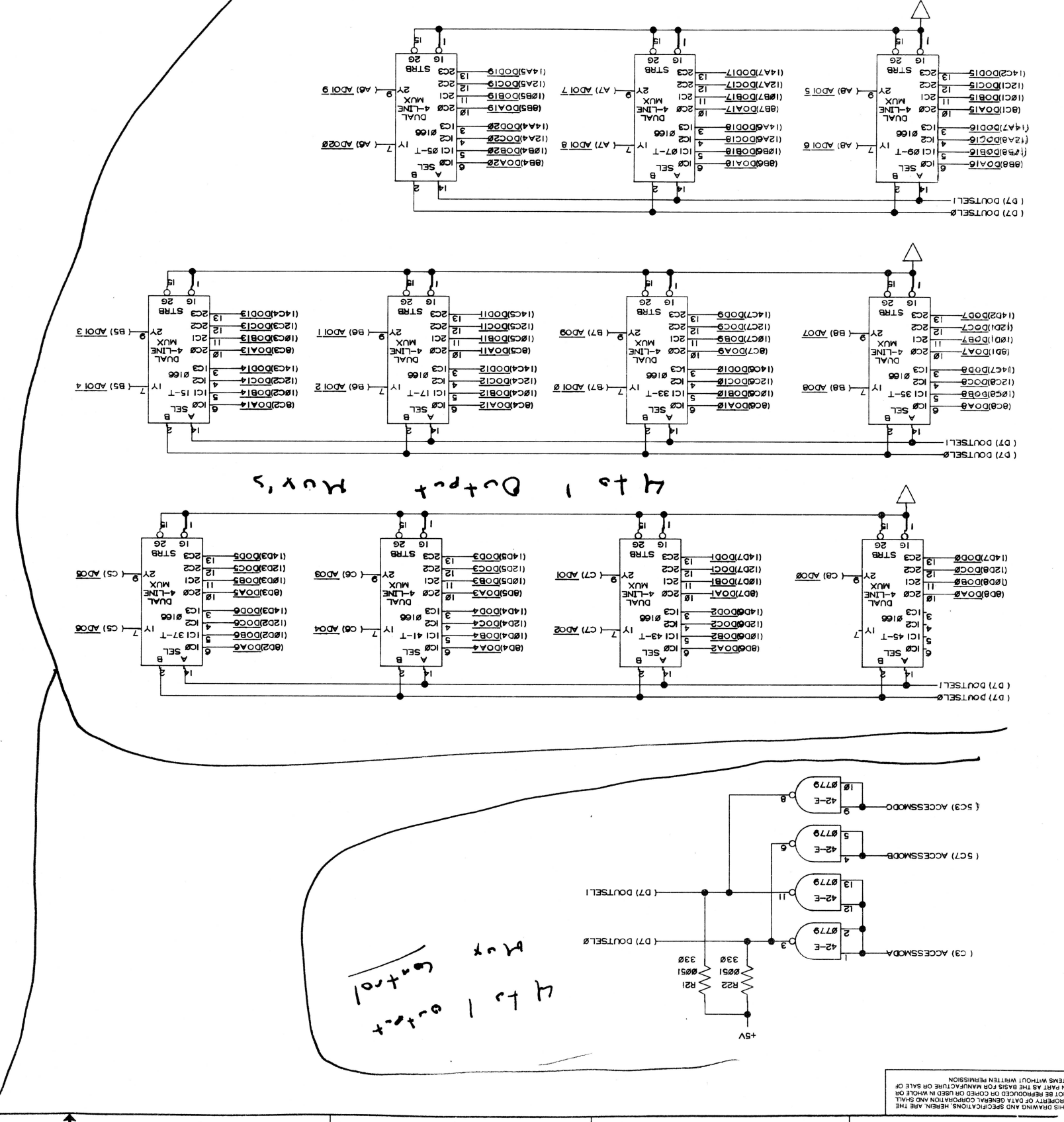
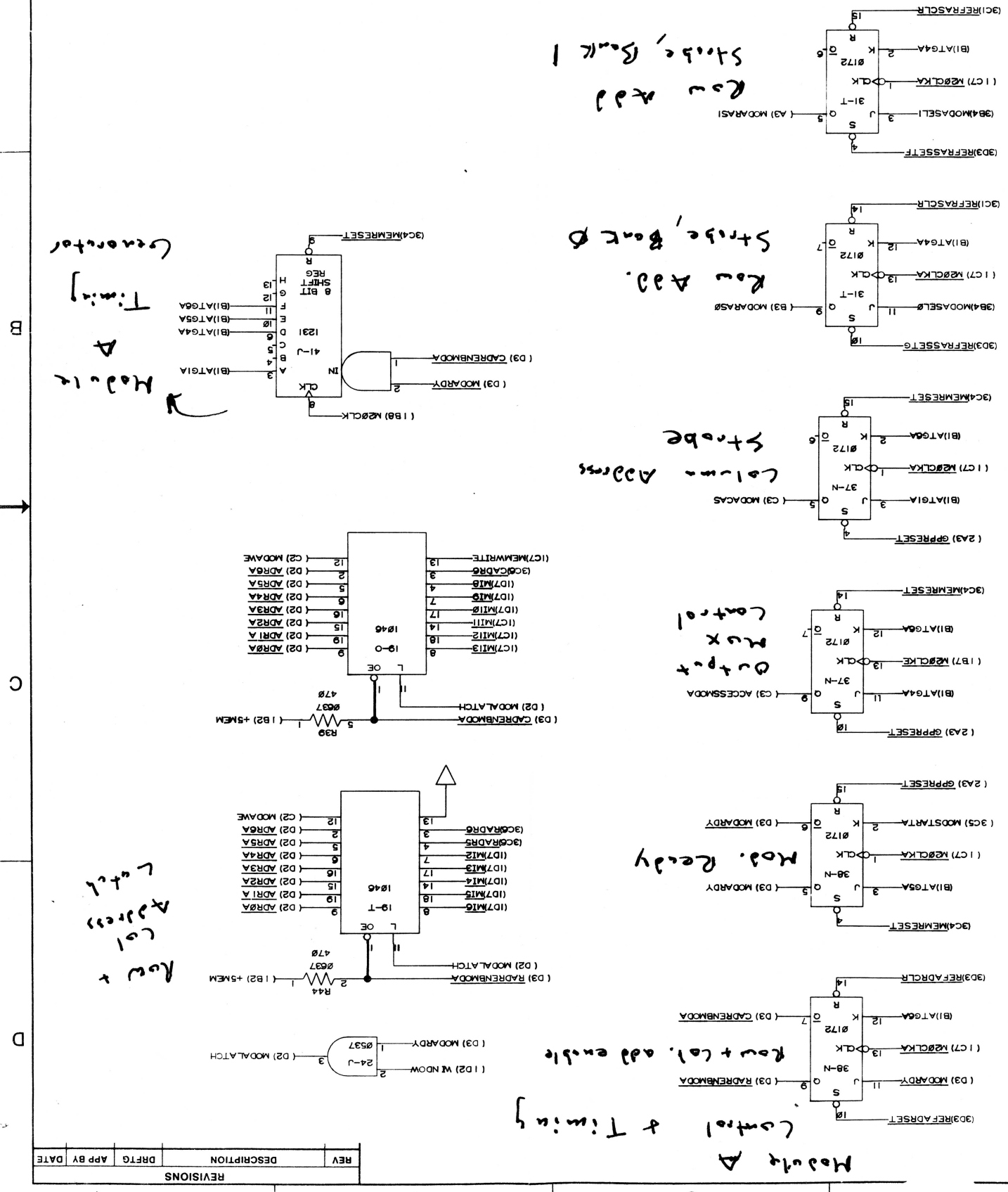
SIZE: CODE 001001229 03
 DRAWING NUMBER: 03
 REV: 03

APPROVED: _____
 ENGINEER: _____
 CHECKED: _____
 FIRST USED ON: _____



REV	DESCRIPTION	DWG	APP BY	DA

THIS DRAWING AND SPECIFICATIONS HEREIN ARE THE PROPERTY OF DATA GENERAL CORPORATION AND SHALL NOT BE REPRODUCED OR COPIED OR USED IN WHOLE OR IN PART AS THE BASIS FOR MANUFACTURE ON SALE OF ITEMS WITHOUT WRITTEN PERMISSION.



REV	DESCRIPTION	DFTG	APP BY	DATE

THIS DRAWING AND SPECIFICATIONS HEREIN ARE THE PROPERTY OF DATA GENERAL CORPORATION AND SHALL NOT BE REPRODUCED OR COPIED OR USED IN WHOLE OR IN PART WITHOUT WRITTEN PERMISSION.

REV	DESCRIPTION	DWG	APP	DATE

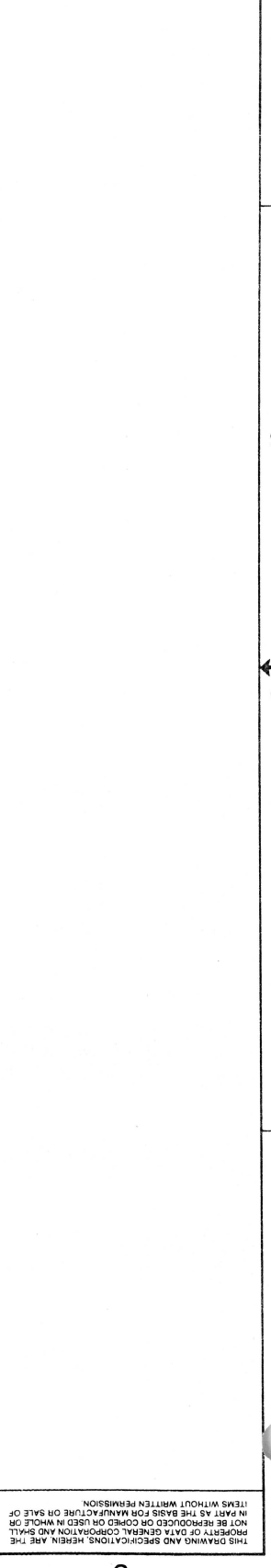
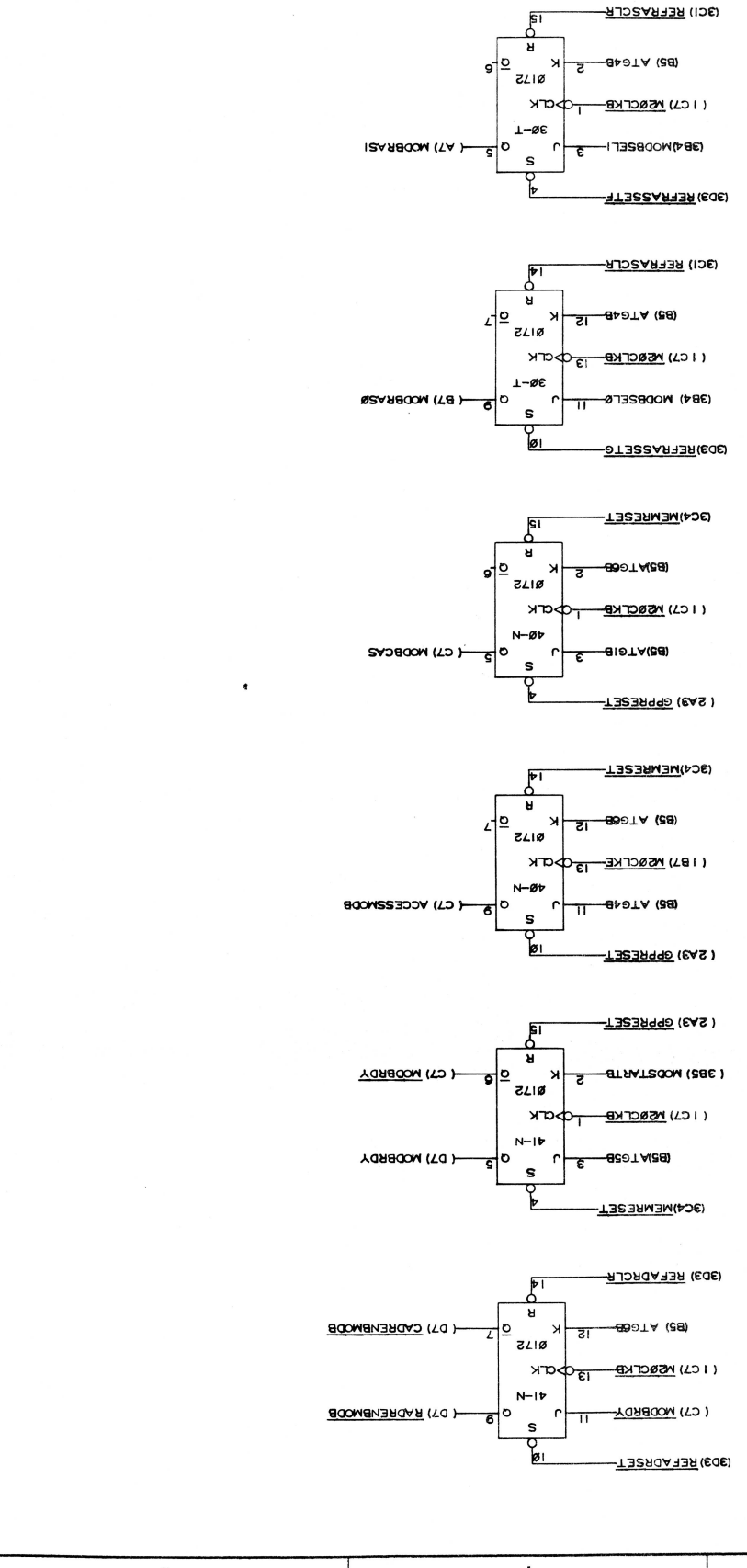
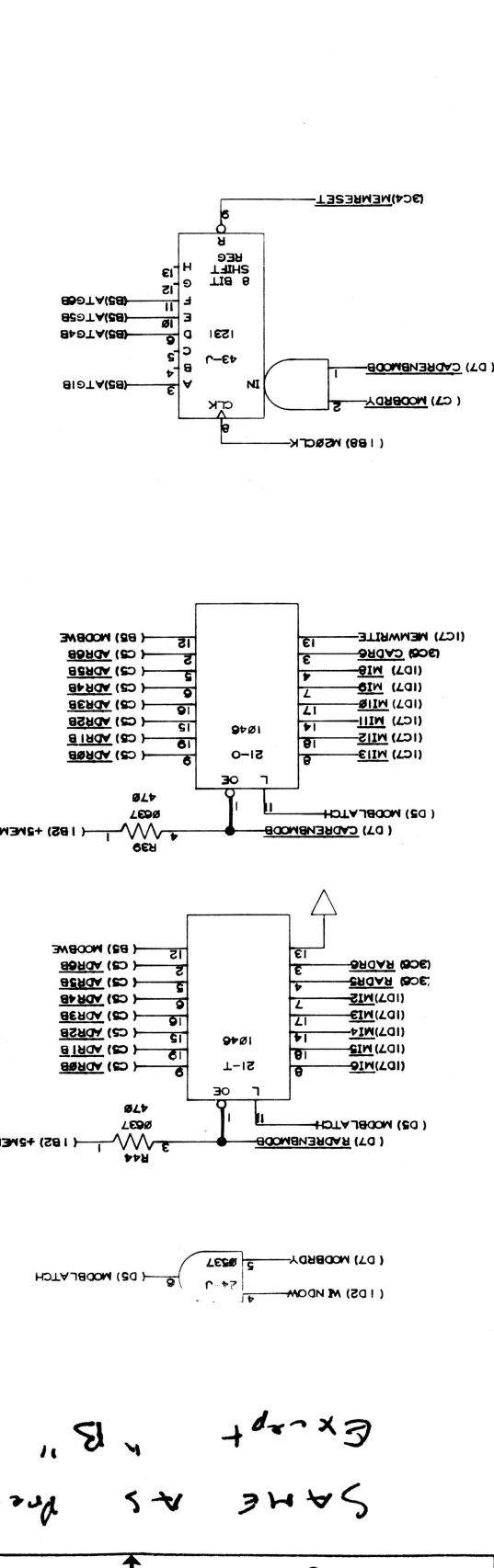
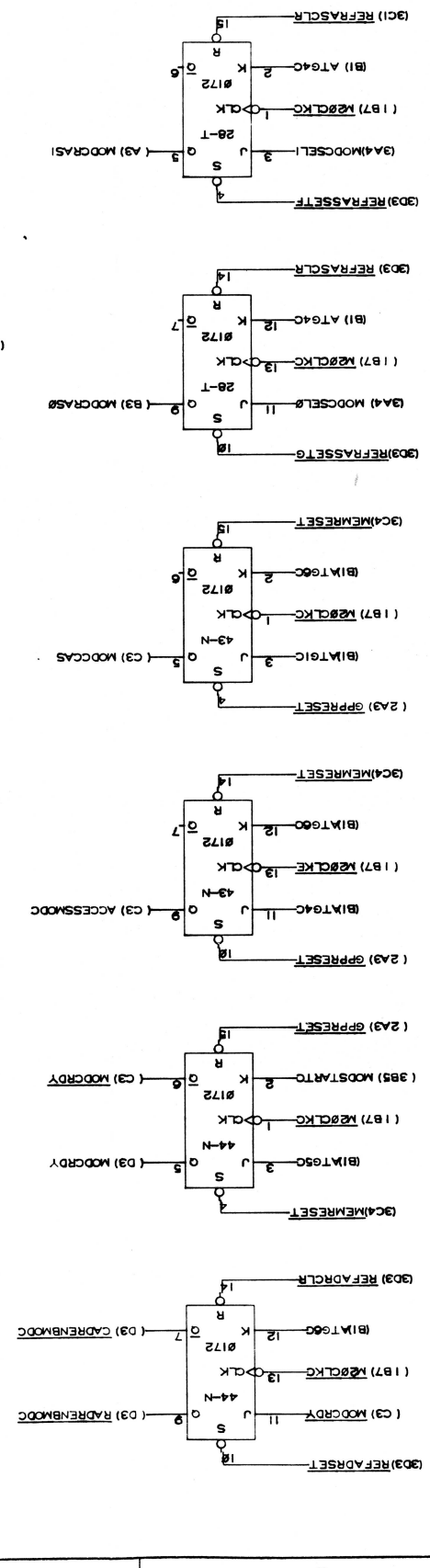
REVISIONS

REV	DESCRIPTION	DWG	APP	DATE

REVISIONS

REV	DESCRIPTION	DWG	APP	DATE

REVISIONS

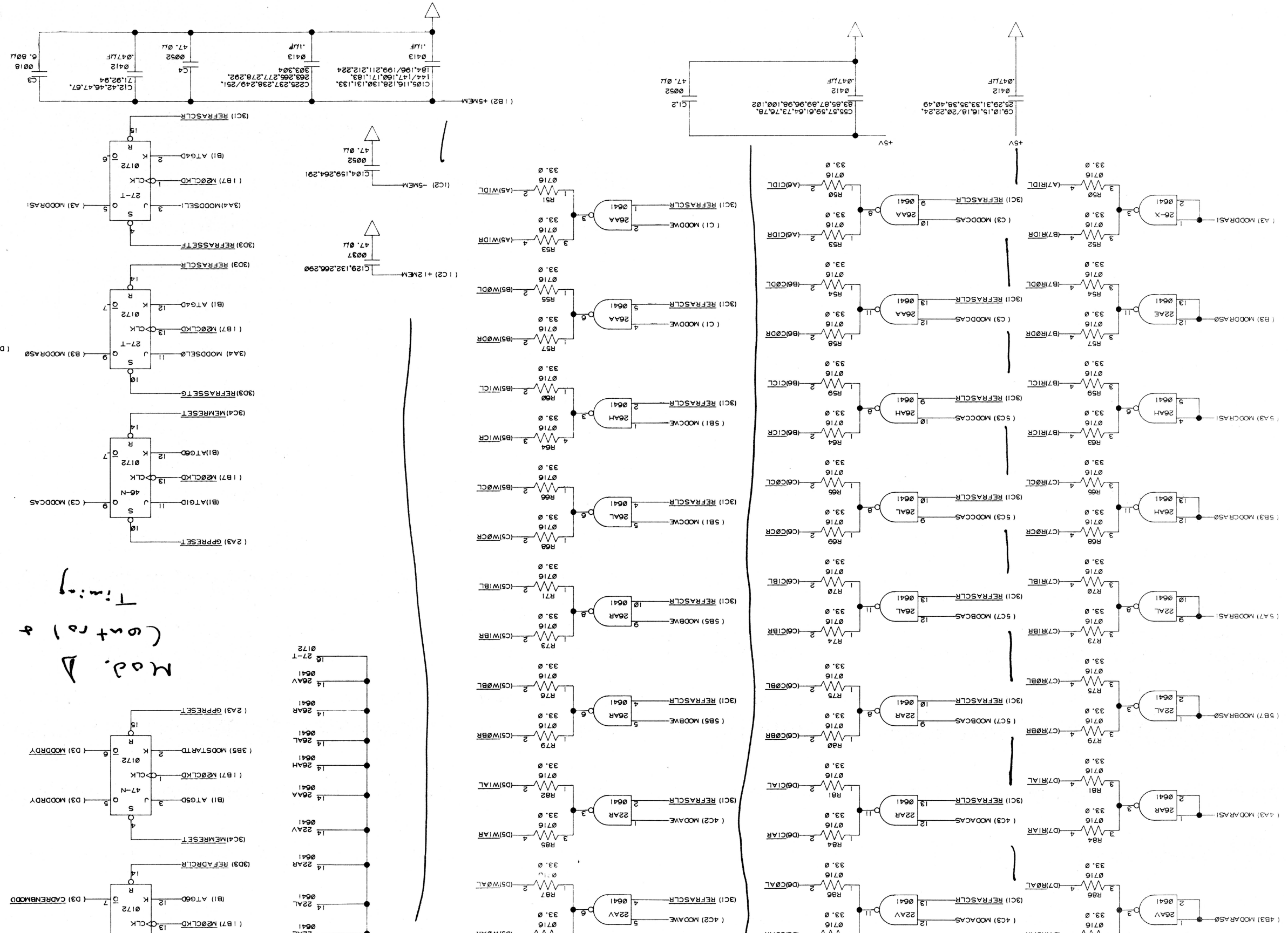


SAME AS PREVIOUS PAGE EXCEPT "B" MODULE

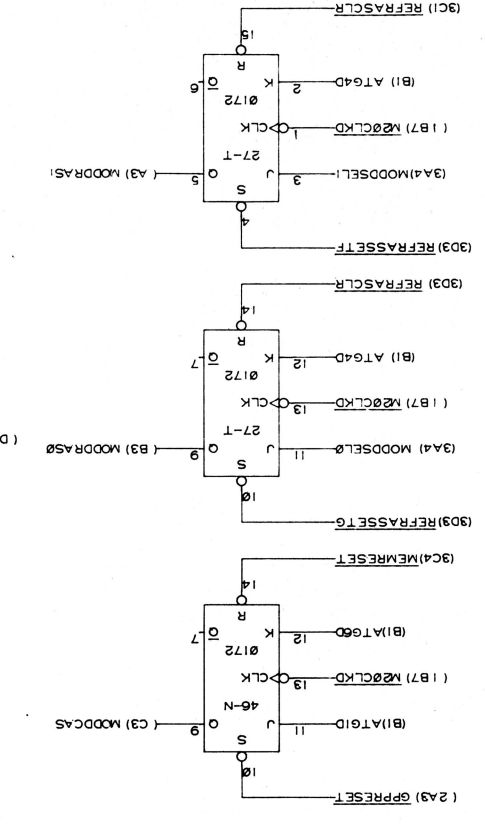
THIS DRAWING AND SPECIFICATIONS HEREIN ARE THE PROPERTY OF DATA GENERAL CORPORATION AND SHALL NOT BE REPRODUCED OR COPIED OR USED IN WHOLE OR IN PART AS THE BASIS FOR REPRODUCTION OR SALE OF ITEMS WITHOUT WRITTEN PERMISSION.

THIS DRAWING AND SPECIFICATIONS HEREBY ARE THE PROPERTY OF DATA GENERAL CORPORATION AND SHALL NOT BE REPRODUCED OR TRANSMITTED IN ANY FORM OR BY ANY MEANS, ELECTRONIC OR MECHANICAL, INCLUDING PHOTOCOPYING, RECORDING, OR BY ANY INFORMATION STORAGE AND RETRIEVAL SYSTEM, WITHOUT WRITTEN PERMISSION.

Row Address Drivers (5 Stages)
Column Address Drivers
Control + Drivers



Mod. D (Control + Drivers)



REV	DESCRIPTION	DRTG	APP BY	DATE

DATA GENERAL CORPORATION
 SOUTHBORO MASSACHUSETTS 01772

CHECKED: _____
 ENGINEER: _____
 APPROVED: _____

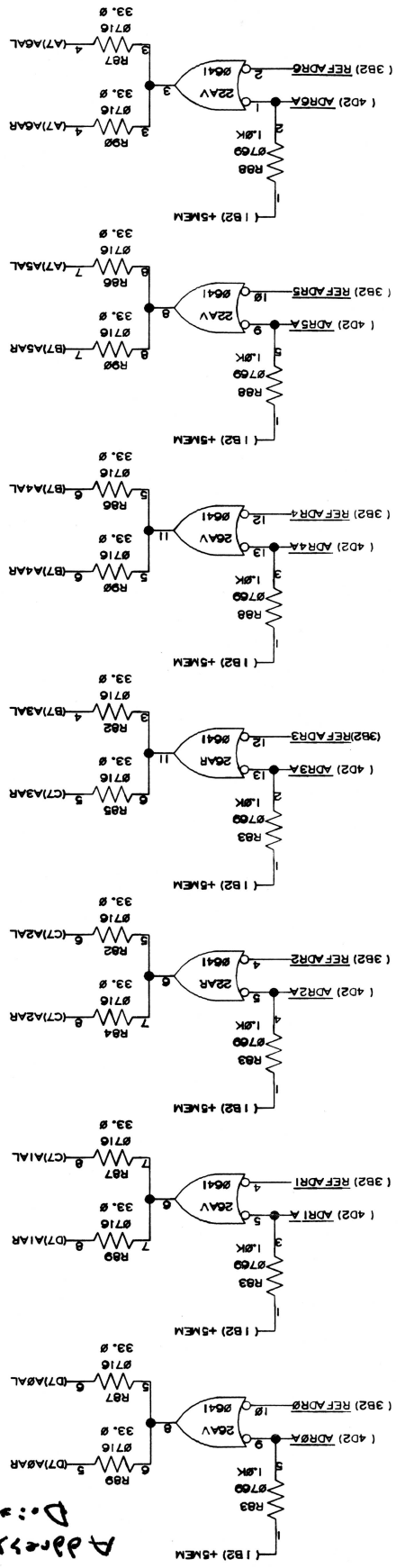
FIRST USED ON: _____

SIZE: D
 CODE: 00100122900

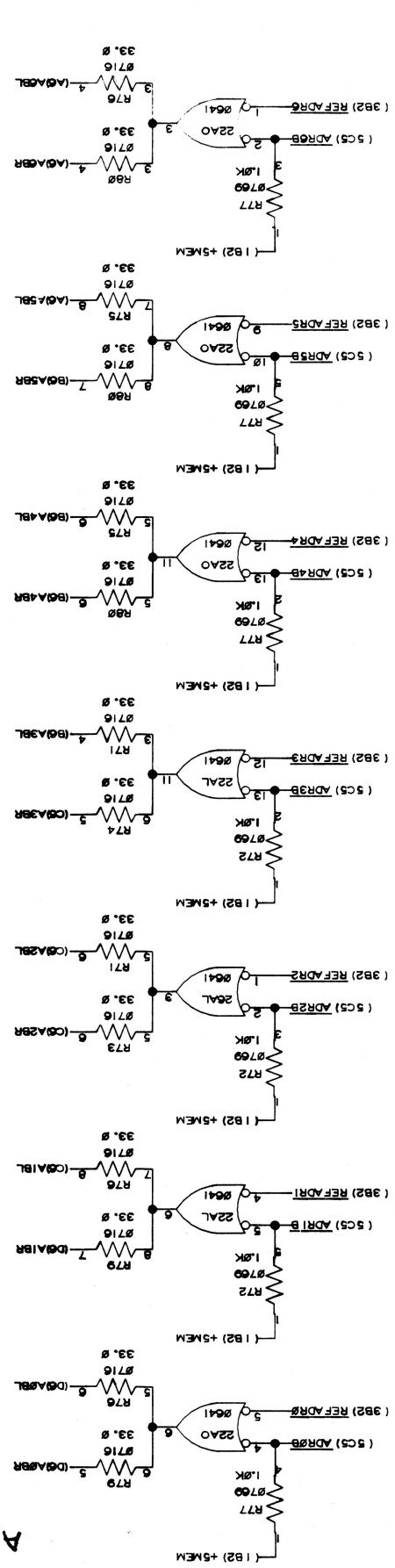
6 of 8 SHEET 1

THIS DRAWING AND SPECIFICATIONS HEREBY ARE THE PROPERTY OF DATA GENERAL CORPORATION AND SHALL NOT BE REPRODUCED OR USED IN WHOLE OR IN PART AS THE BASIS FOR MANUFACTURE OR SALE OF ITEMS WITHOUT WRITTEN PERMISSION.

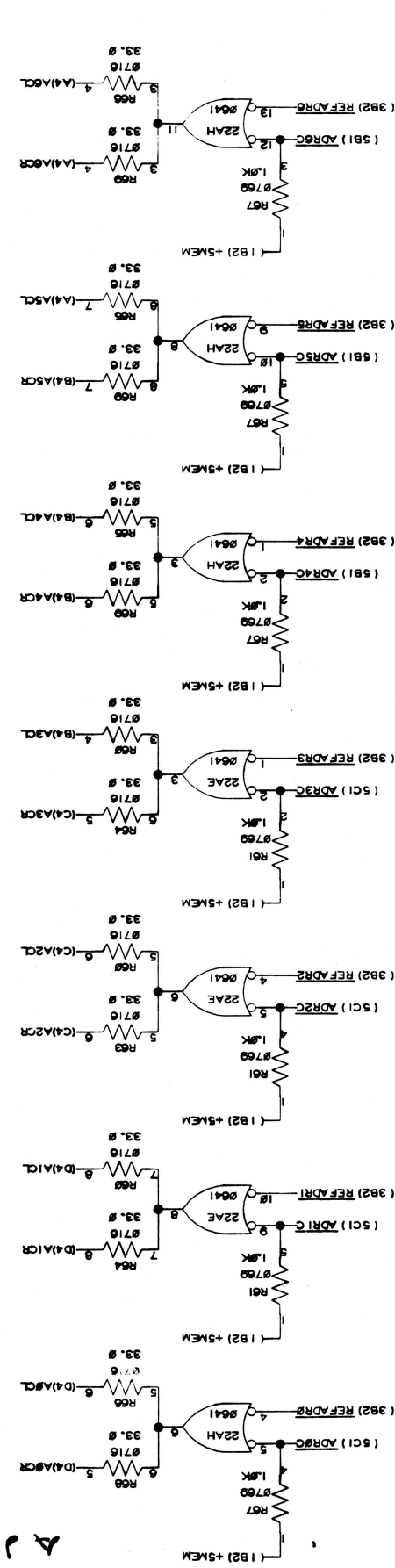
Module
A
Address
Drivers



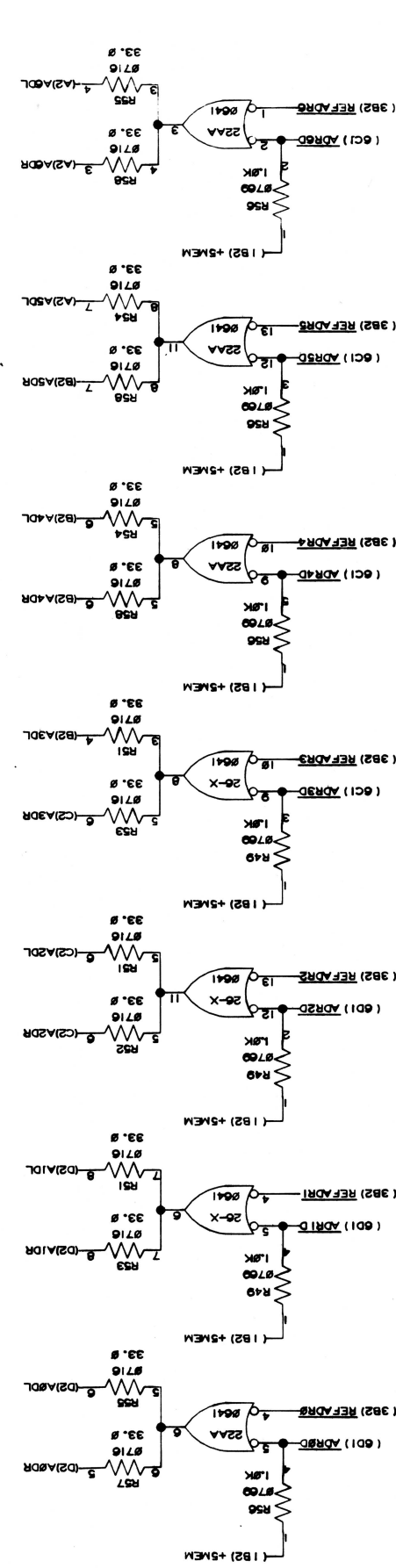
Module B
A
Address
Drivers



Module C
A
Address
Drivers



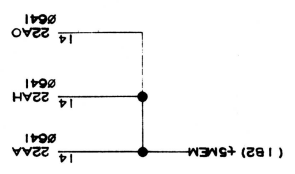
Module D
A
Address
Drivers



REV	DESCRIPTION	DFTG	APP BY	DATE

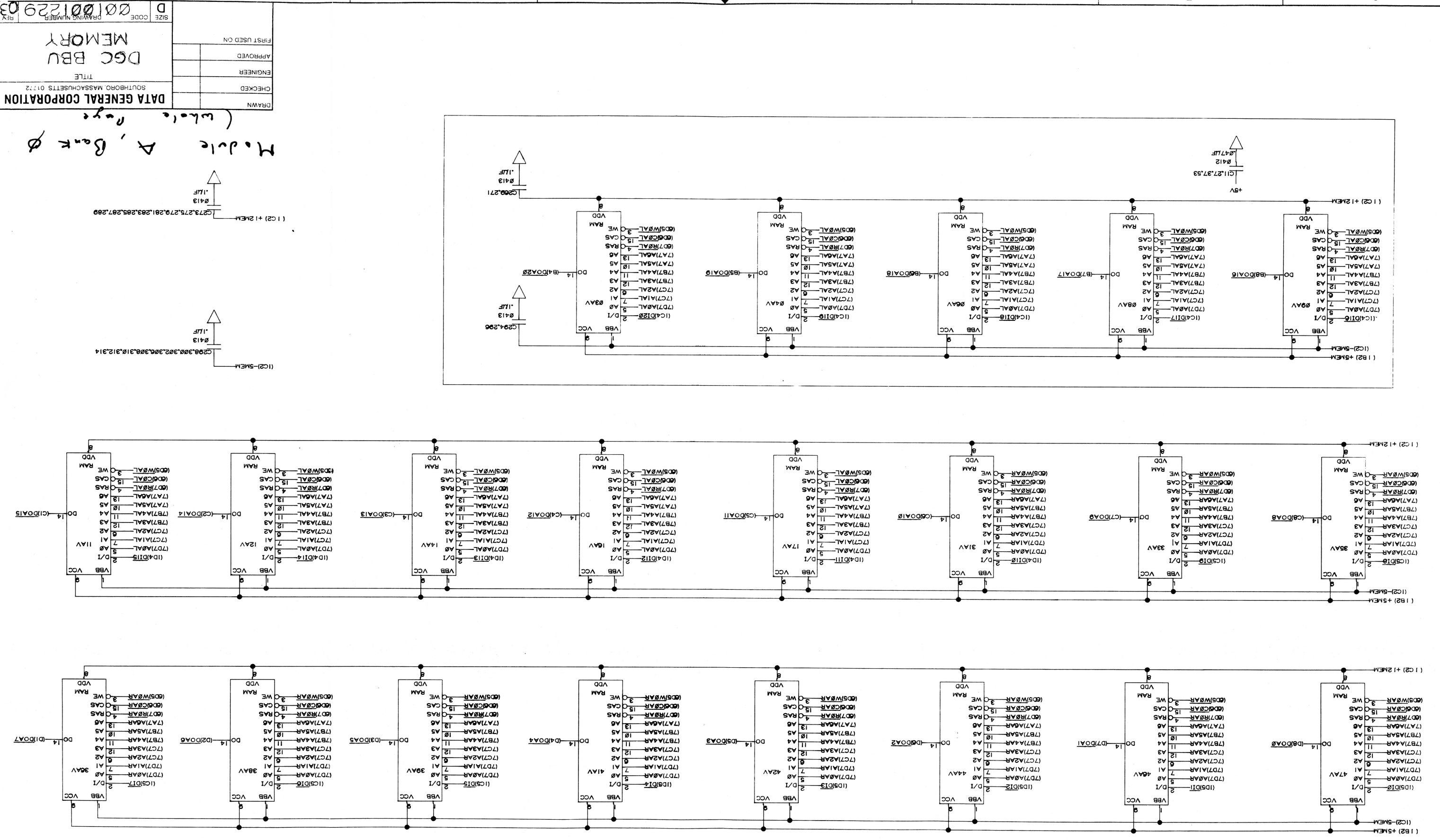
DRAWN	CHECKED	ENGINEER	APPROVED
DATA GENERAL CORPORATION			
SOUTHBORO MASSACHUSETTS 01772			
TITLE			
DGC BBU MEMORY			
SIZE	CODE	DRAWING NUMBER	REV
D		00100122903	

FIRST USED ON



THIS DRAWING AND SPECIFICATIONS HEREIN, ARE THE PROPERTY OF DATA GENERAL CORPORATION AND SHALL NOT BE REPRODUCED OR COPIED OR USED IN WHOLE OR IN PART, AS THE BASIS FOR REPRODUCTION AND SALE OF ITEMS WITHOUT WRITTEN PERMISSION.

REV	DESCRIPTION	DWG	APP BY	DATE



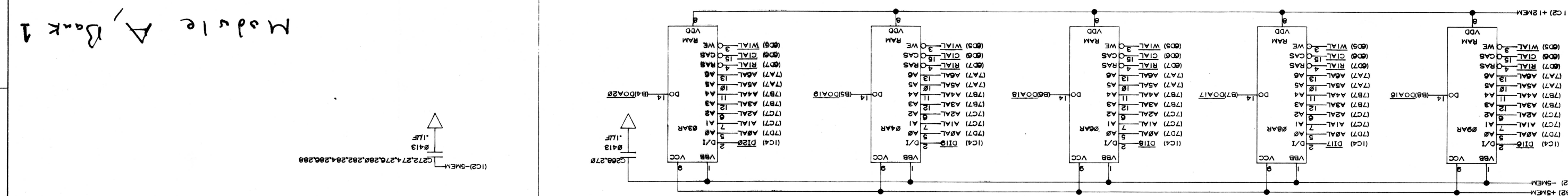
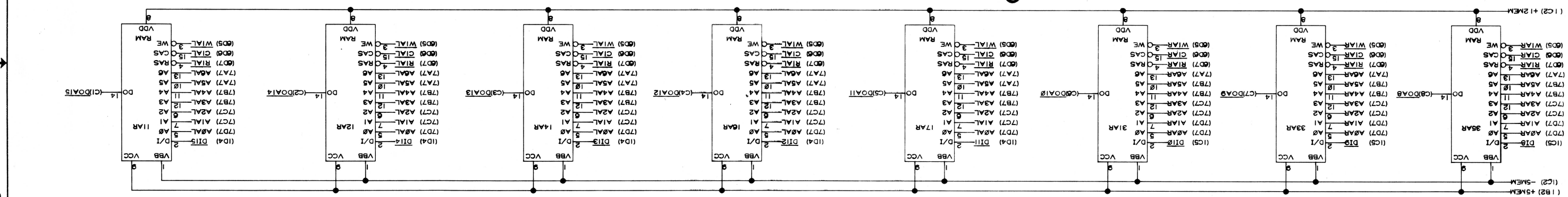
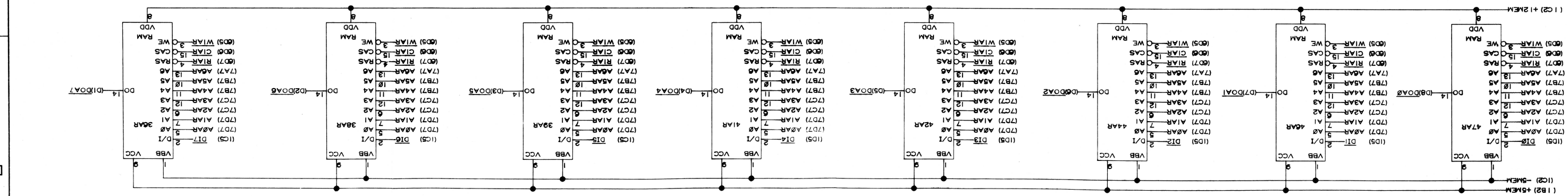
1 2 3 4 5 6 7 8

SIZE	D
DRAWING NUMBER	00100122903
REV	8 of 18
TITLE	DGC BBU MEMORY
ENGINEER	
APPROVED	
FIRST USED ON	
CHECKED	
DRAWN	

DATA GENERAL CORPORATION
SOUTHBORO MASSACHUSETTS 01772

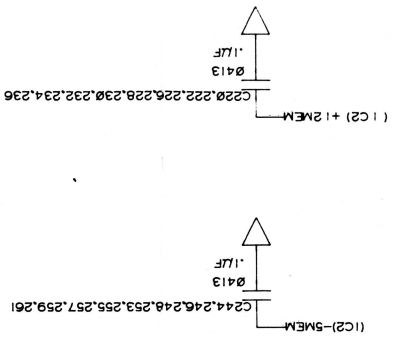
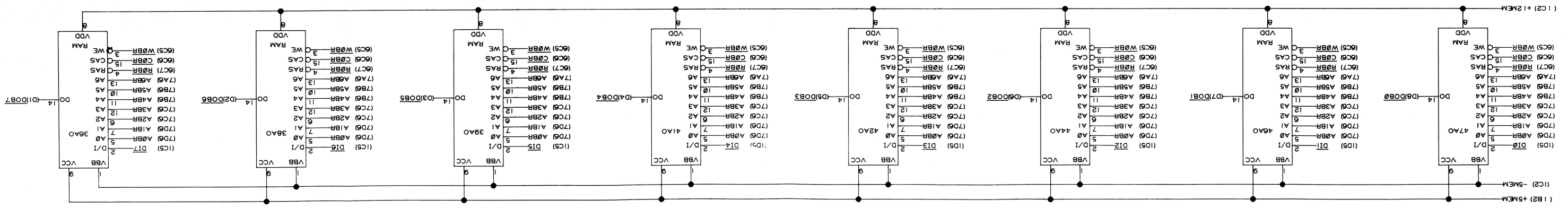
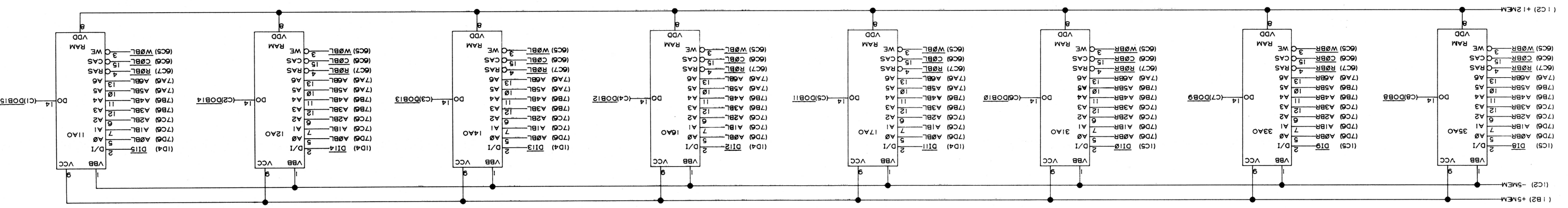
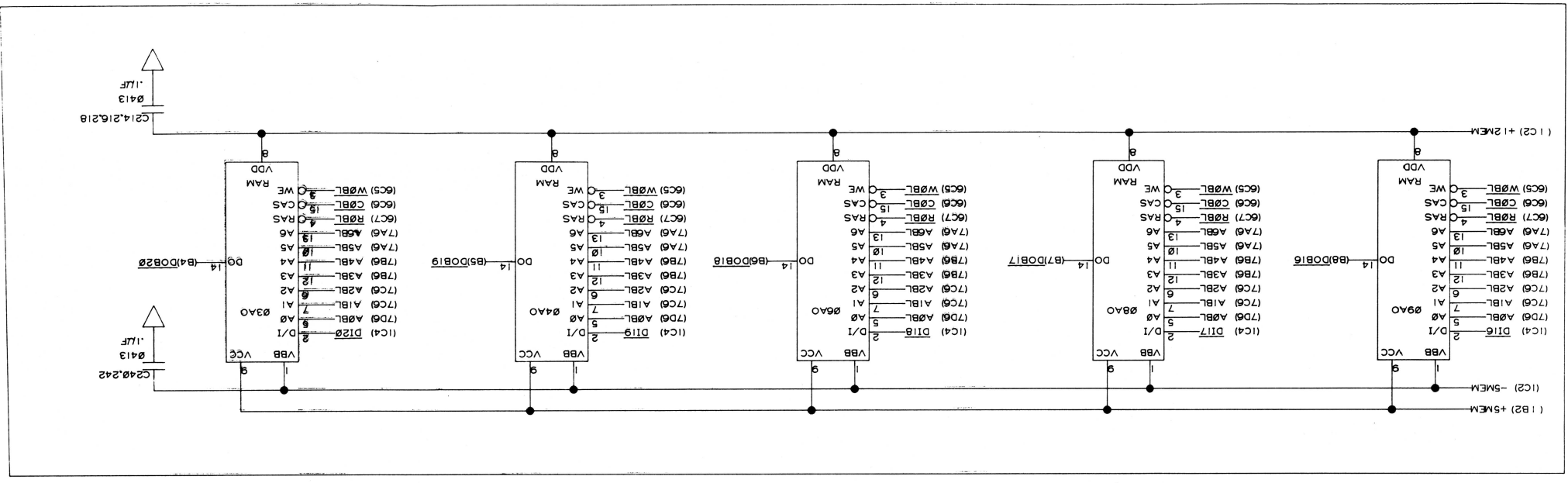
REV	DESCRIPTION	DRAFTG	APP BY	DATE

THIS DRAWING AND SPECIFICATIONS, HEREIN, ARE THE PROPERTY OF DATA GENERAL CORPORATION AND SHALL NOT BE REPRODUCED OR COPIED IN WHOLE OR IN PART WITHOUT WRITTEN PERMISSION.



DRAWN	CHECKED	ENGINEER	APPROVED	FIRST USED ON
DATA GENERAL CORPORATION	SOUTHBORO, MASSACHUSETTS 01772			
TITLE DGC BBU MEMORY				
SIZE	CODE	DRAWING NUMBER		
D	001001229	003		

Module A, Bank 1



Module B, Bank 0

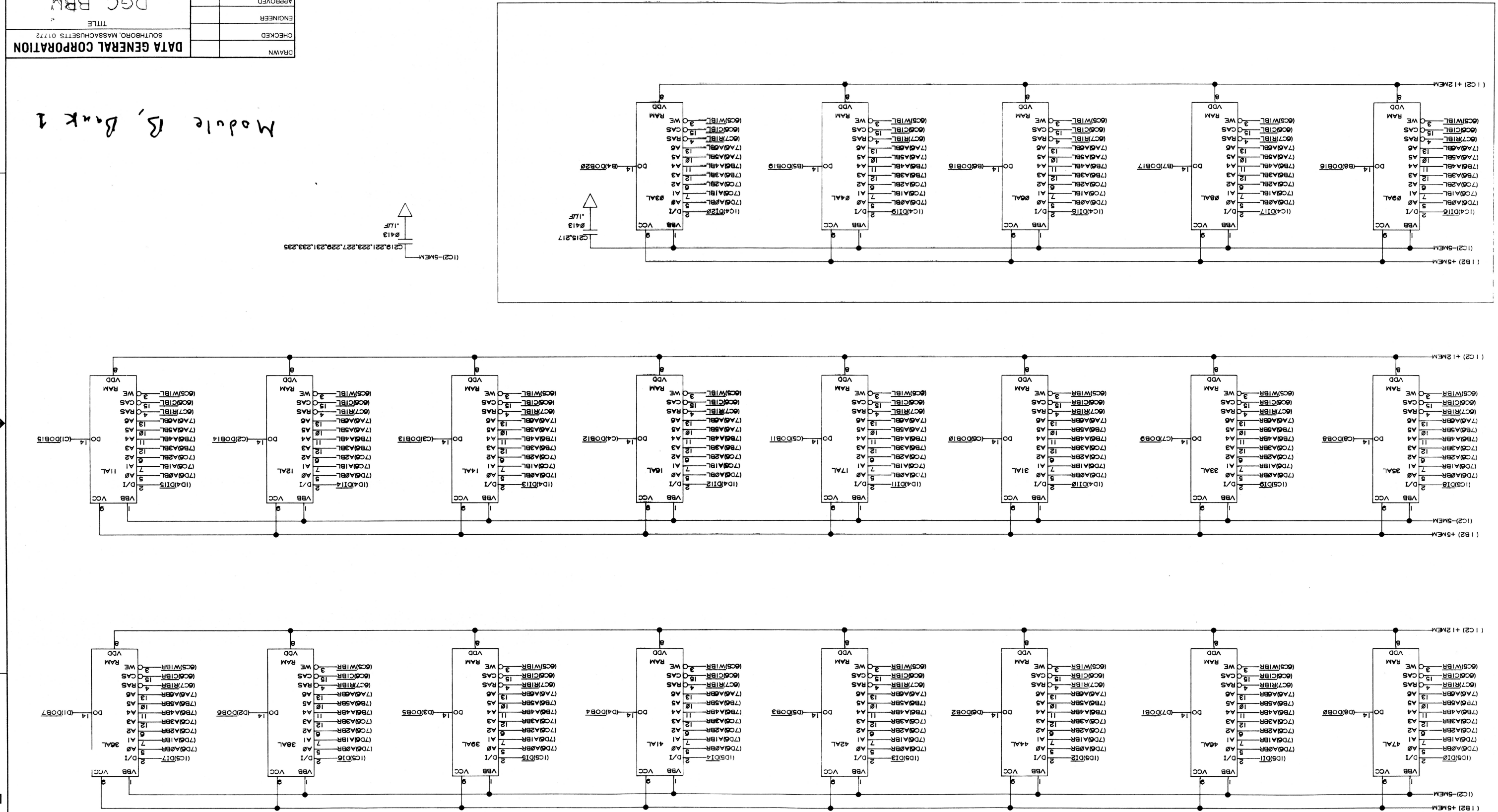
DRAWN	CHECKED	ENGINEER	APPROVED	FIRST USED ON
DATA GENERAL CORPORATION SOUTHBORO MASSACHUSETTS 01772				
TITLE DGC BRU				
DRAWING NUMBER 00100122903				
SIZE CODE D				

REV	DESCRIPTION	DRAFTG	APP BY	DATE

THIS DRAWING AND SPECIFICATIONS HEREBY ARE THE PROPERTY OF DATA GENERAL CORPORATION AND SHALL NOT BE REPRODUCED OR COPIED IN WHOLE OR IN PART AS THE BASIS FOR MANUFACTURE OR SALE OF ITEMS WITHOUT WRITTEN PERMISSION.

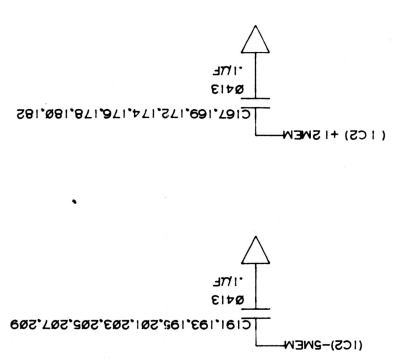
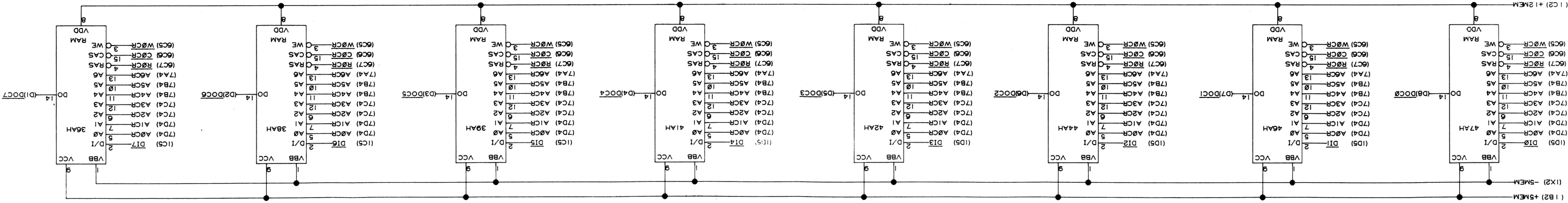
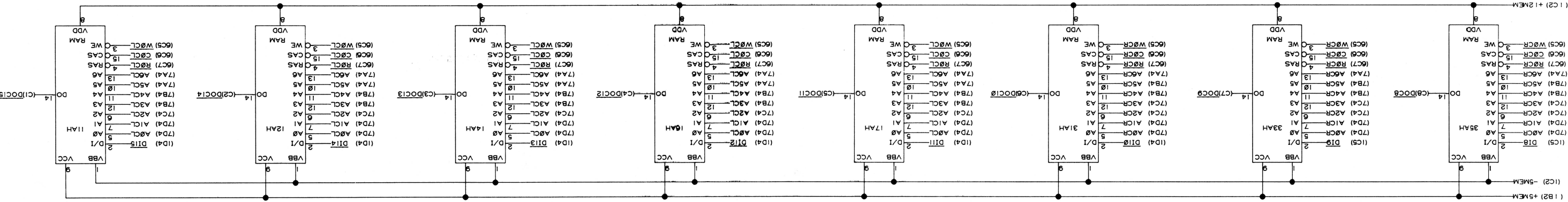
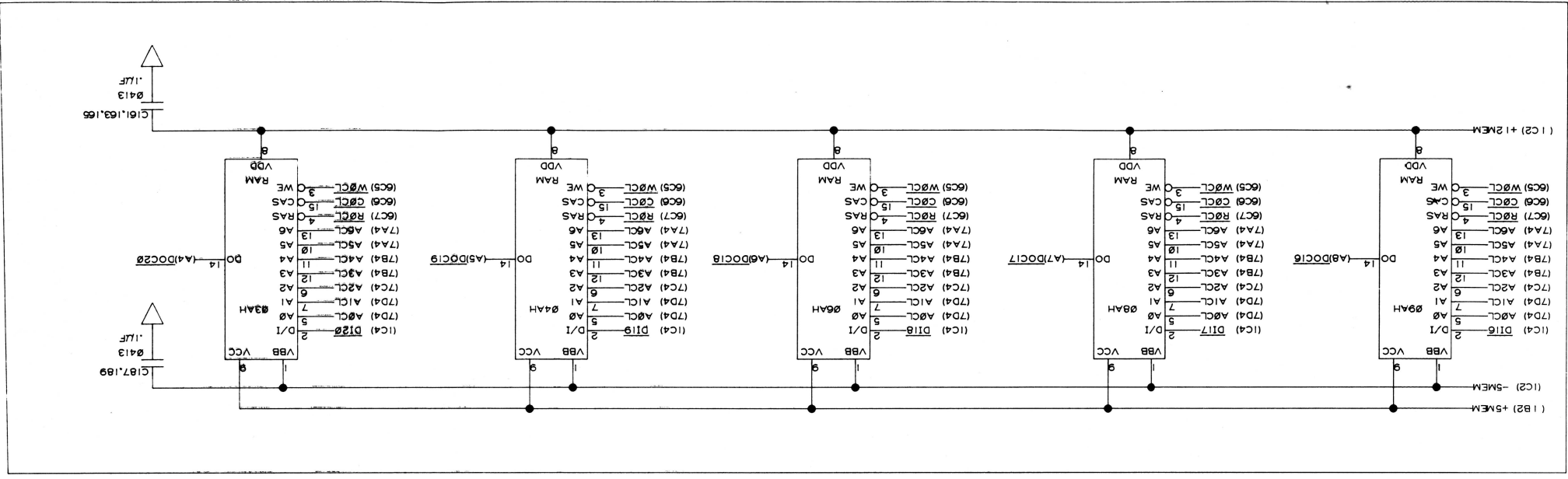
REV	SIZE	D
00100122903	DRAWING NUMBER	
DGC BBU MEMORY		
TITLE		
SOUTHBORO, MASSACHUSETTS 01772		
CHECKED	ENGINEER	
APPROVED		
FIRST USED ON		
DRAWN		
DATA GENERAL CORPORATION		

Module B, Bank 1



REV	DESCRIPTION	DFTG	APP BY	DATE

THIS DRAWING AND SPECIFICATIONS HEREBY ARE THE PROPERTY OF DATA GENERAL CORPORATION AND SHALL NOT BE REPRODUCED OR COPIED IN WHOLE OR IN PART AS THE BASIS FOR MANUFACTURE OR SALE OF ITEMS WITHOUT WRITTEN PERMISSION.



DRAWN	CHECKED	ENGINEER	APPROVED	FIRST USED ON
DATA GENERAL CORPORATION SOUTHBORO, MASSACHUSETTS 01772				
TITLE				
DGC BBU MEMORY				
SIZE	CODE	DRAWING NUMBER	REV	
		001001229	03	

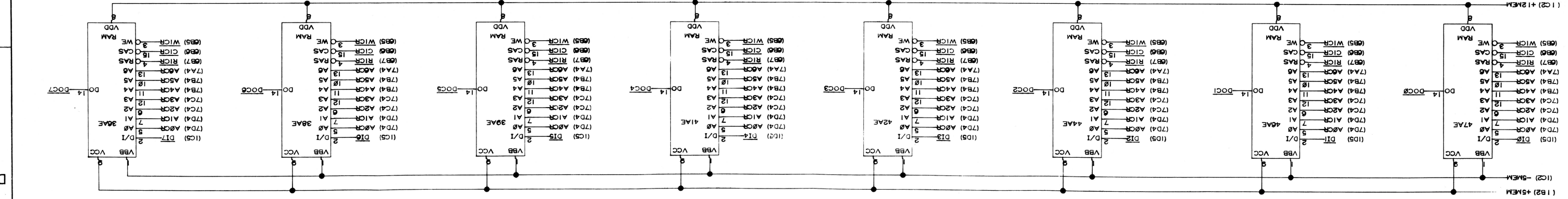
Module C, Bank 0

REV	DESCRIPTION	DRAFT	APP BY	DATE

THIS DRAWING AND SPECIFICATIONS HEREIN ARE THE PROPERTY OF DATA GENERAL CORPORATION AND SHALL NOT BE REPRODUCED OR COPIED OR USED IN WHOLE OR IN PART BY THE BAKER FOR MANUFACTURE OR SALE OF ITEMS WITHOUT WRITTEN PERMISSION.

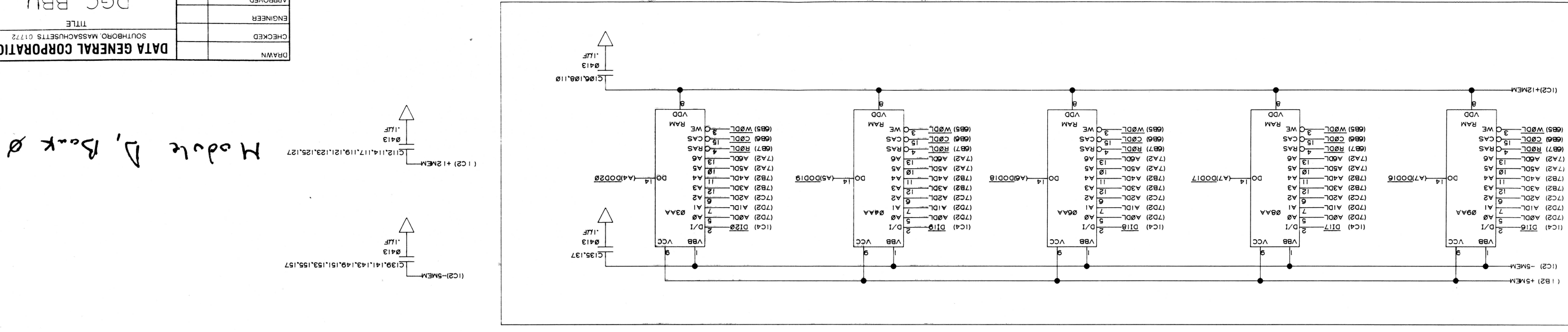
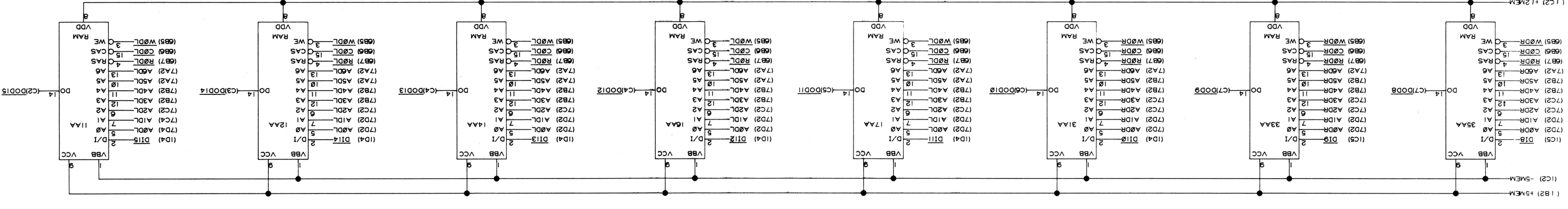
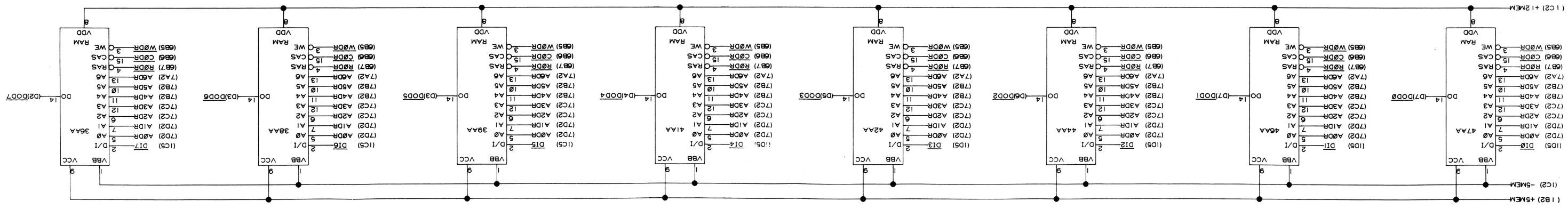
REV	DESCRIPTION	DWG	APP BY	DATE

THIS DRAWING AND SPECIFICATIONS HEREBY ARE THE PROPERTY OF DATA GENERAL CORPORATION AND SHALL NOT BE REPRODUCED OR USED IN WHOLE OR IN PART AS THE BASIS FOR MANUFACTURE OR SALE OF ITEMS WITHOUT WRITTEN PERMISSION.



REV	DESCRIPTION	DWG	APP BY	DATE

NO SPECIFICATIONS HEREIN ARE THE PROPERTY OF DATA GENERAL CORPORATION AND SHALL BE KEPT IN CONFIDENCE IN WHOLE OR IN PART FOR MANUFACTURE OR SALE OF ANY PRODUCT WITHOUT WRITTEN PERMISSION.

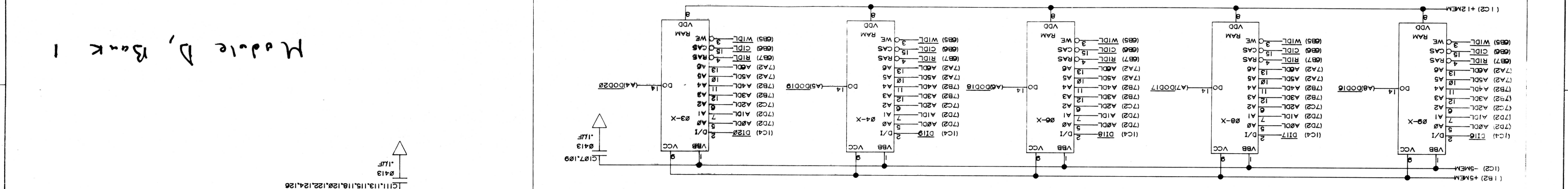
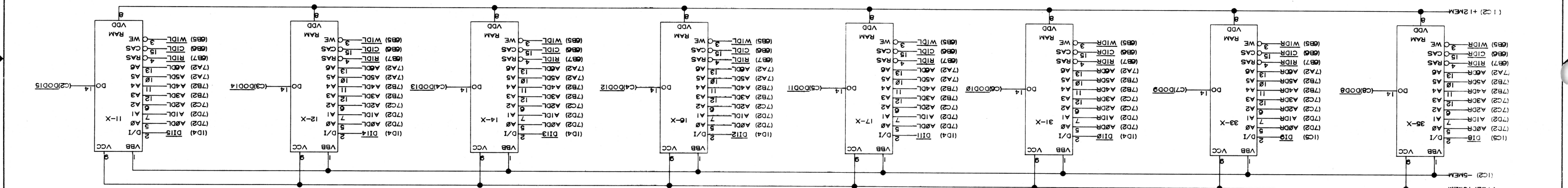
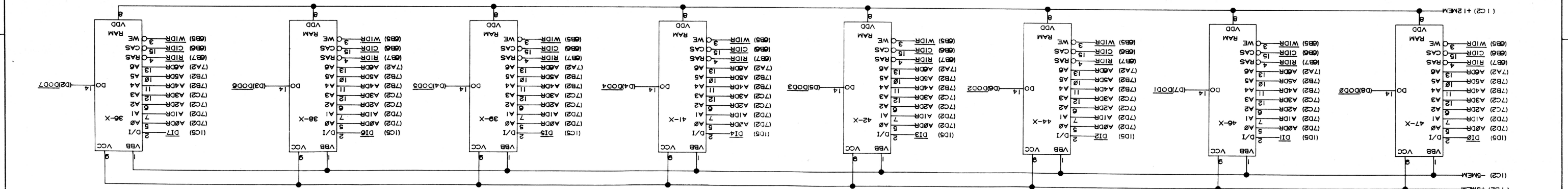


DRAWN	CHECKED	ENGINEER	APPROVED	FIRST USED ON
DATA GENERAL CORPORATION	SOUTHBORO MASSACHUSETTS 01772	TITLE	DGC BBU MEMORY	DRAWING NUMBER 00100122903

Module D, Bank 0

THIS DRAWING AND SPECIFICATIONS HEREIN ARE THE PROPERTY OF DATA GENERAL CORPORATION AND SHALL NOT BE REPRODUCED OR COPIED OR USED IN WHOLE OR IN PART AS THE BASIS FOR MANUFACTURE OR SALE OF ITEMS WITHOUT WRITTEN PERMISSION.

REV	DESCRIPTION	DWG	APP BY	DATE
1				



Module B, Bank 1

DRAWN	CHECKED	ENGINEER	APPROVED	FIRST USED ON
DATA GENERAL CORPORATION SOUTHBORO MASSACHUSETTS 01772				
TITLE DGC BBU MEMORY				
SIZE D				
DRAWING NUMBER 00100122903				
REV 15#18				

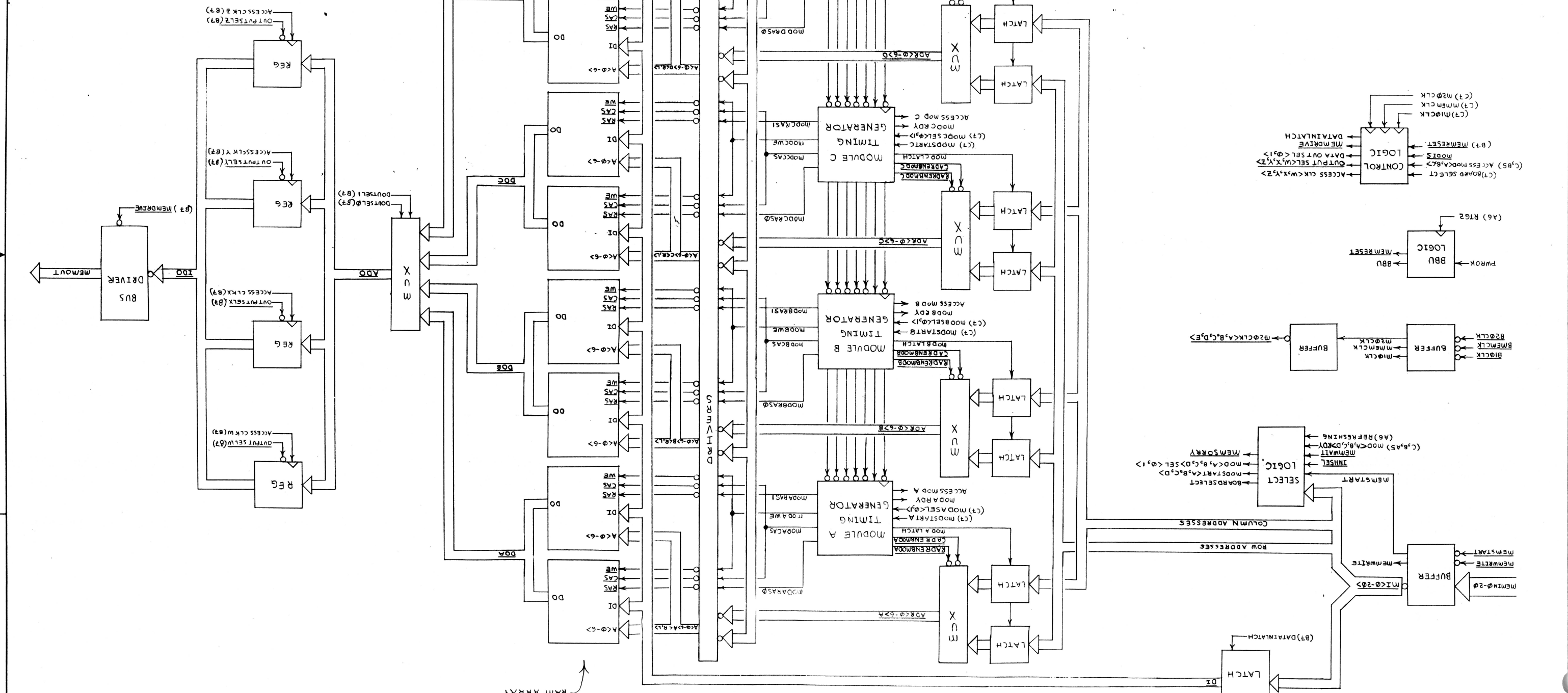
1 2 3 4 5 6 7 8

THIS DRAWING AND SPECIFICATIONS, HEREIN, ARE THE PROPERTY OF DATA GENERAL CORPORATION AND SHALL NOT BE REPRODUCED OR COPIED OR USED IN WHOLE OR IN PART AS THE BASIS FOR MANUFACTURE OR SALE OF ITEMS WITHOUT WRITTEN PERMISSION.

REV	DATE	APP BY	DFTG	DESCRIPTION
003				

ITEM	QTY	DESCRIPTION	PART NO
DO NOT SCALE DRAWING			
UNLESS OTHERWISE SPECIFIED			
100-00028 FOR TOLERANCES AND WORKMANSHIP REQUIREMENTS			
MATERIAL			
APPROVED			
FIRST USED ON			
SCALE			
CODE IDENT			
34984			
SIZE			
D			
CODE			
DRAWING NUMBER			
0101229			
REV			
03			

DATA GENERAL CORPORATION
SOUTHBORO, MASS. 01773
TITLE
DGC BBU MEMORY
DRAWN R. DYNHESON
CHECKED
ENGINEER
SHIP REQUIREMENTS



1 SHEET 16 OF 18
2
3
4
5
6
7
8

