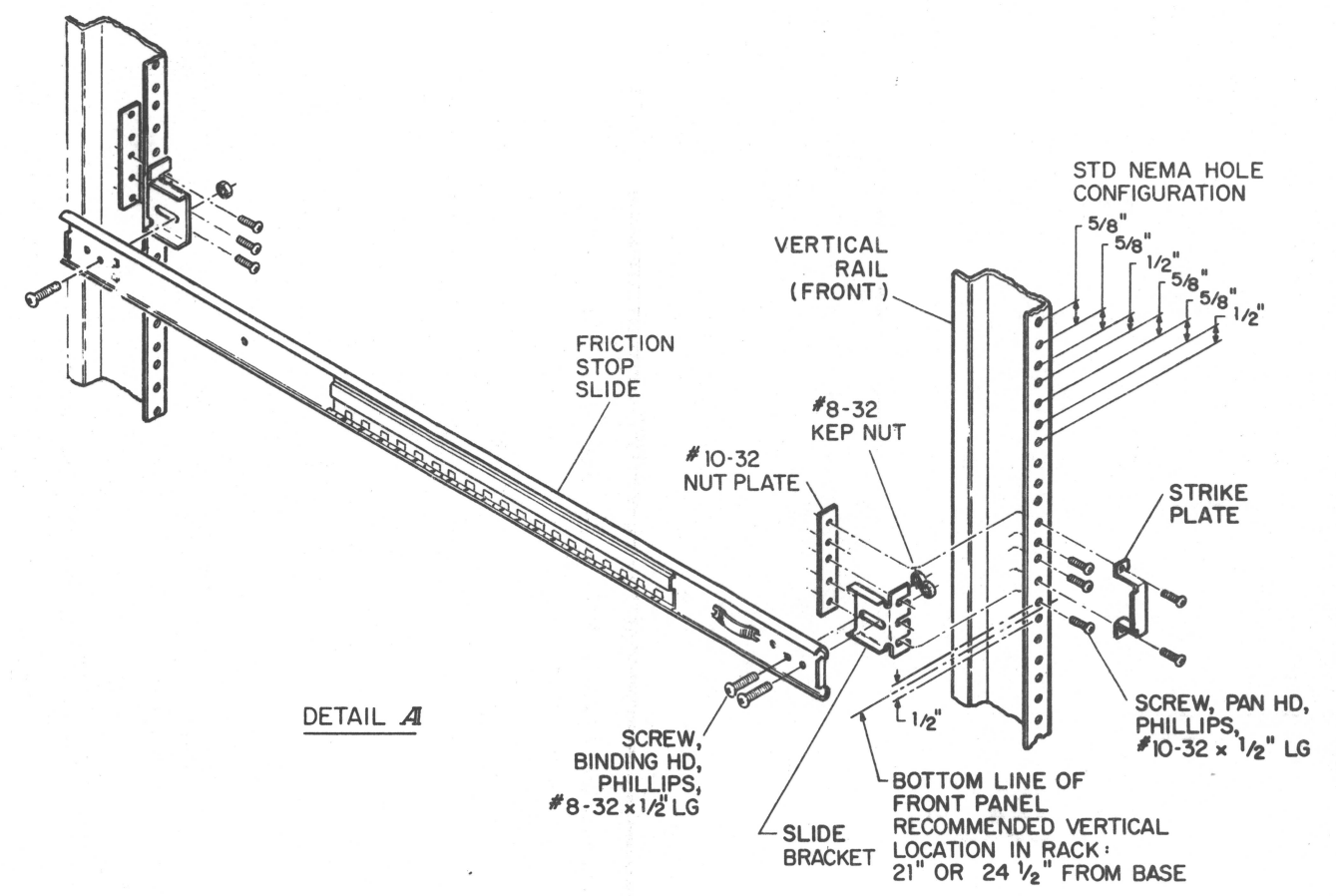
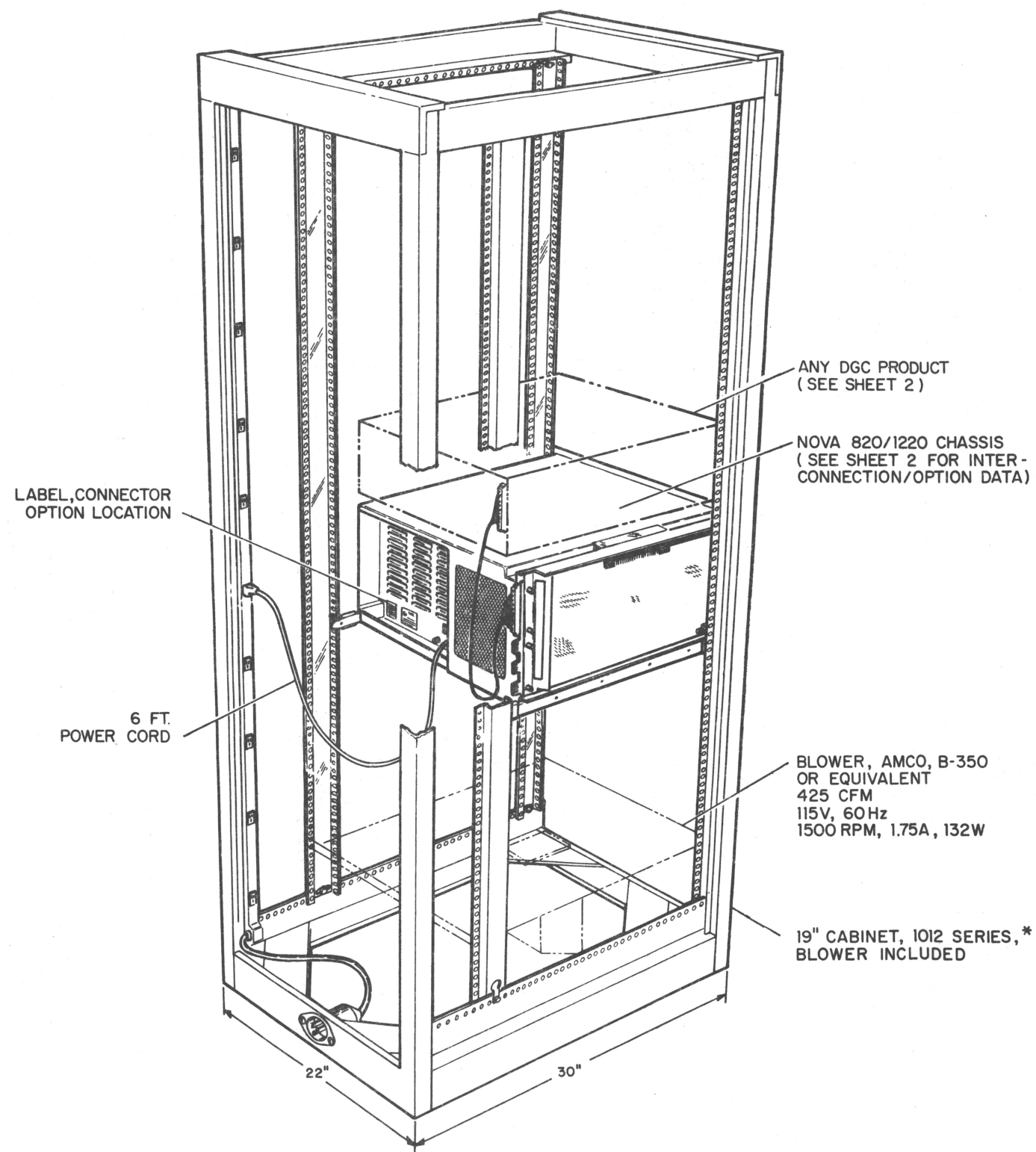


THIS DRAWING AND SPECIFICATIONS, HEREIN, ARE THE PROPERTY OF DATA GENERAL CORPORATION AND SHALL NOT BE REPRODUCED OR COPIED OR USED IN WHOLE OR IN PART AS THE BASIS FOR MANUFACTURE OR SALE OF ITEMS WITHOUT WRITTEN PERMISSION.

REVISIONS				
REV.	DESCRIPTION	DRFTG.	APP. BY	DATE
01	ECP 2190 DCHR TO BEH	Val		1/14/77



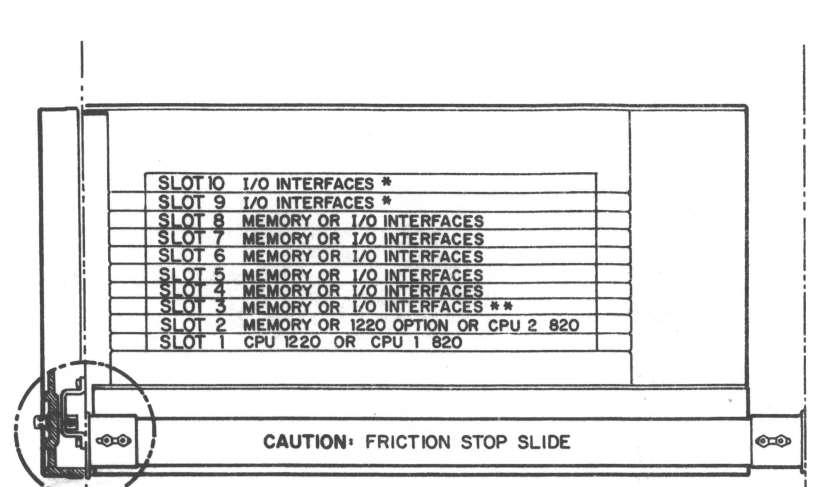
- RACK MOUNTING PROCEDURE:**
1. INSTALL SLIDE ASSEMBLY AS SHOW IN DETAIL A.
 2. GUIDE RAILS ON BOTH SIDES OF THE CHASSIS INTO THE SLIDES AND PUSH THE NOVA 820/1220 ALL THE WAY INTO THE CABINET.
 3. ENGAGE THE STRIKE PLATES WITH THE QUARTER-TURN FASTENERS ON THE FRONT PANEL TO LOCK THE NOVA 820/1220 IN PLACE, DETAIL B.
 4. FROM THE REAR ACCESS, CABLE AS REQUIRED (SEE SHEET 2), MAKING SURE TO LEAVE SUFFICIENT SLACK TO ALLOW THE CHASSIS TO BE PULLED FORWARD WITHOUT STRAINING THE CABLES.

*FOR STABILITY, CABINETS 1012D (74" HT) AND 1012E (41" HT) ARE MOUNTED ON BASE, 112-000038; CABINETS 1012F (SINGLE BAY), 1012G (DOUBLE BAY) AND 1012H (TRIPLE BAY) ARE EQUIPPED WITH ANTI-TIP LEGS, 112-000045, AND LEVELOR LEGS, 123-000138.

QTY	DESCRIPTION	PART NO
	DRAWN <i>[Signature]</i> 5-2-73	DATA GENERAL CORPORATION
	CHECKED	SOUTHBORO, MASSACHUSETTS 01772
	ENGINEER	TITLE
	APPROVED <i>[Signature]</i> 5-3-73	NOVA 820/1220
	FIRST USED ON	RACK
		INSTALLATION
	MATERIAL	SIZE CODE
	FINISH	D 010
	SCALE	DRAWING NUMBER
		000036
		REV
		01

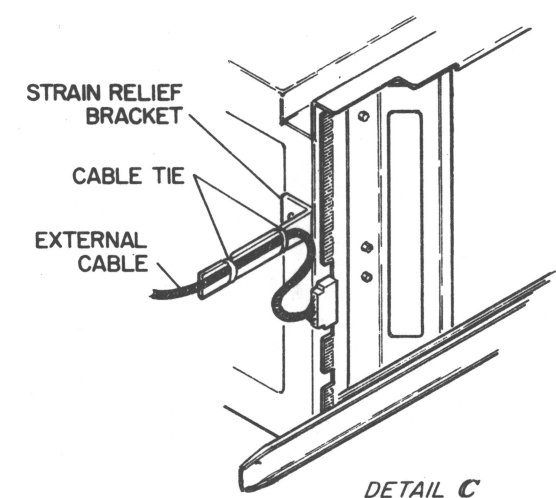
THIS DRAWING AND SPECIFICATIONS, HEREIN, ARE THE PROPERTY OF DATA GENERAL CORPORATION AND SHALL NOT BE REPRODUCED OR COPIED OR USED IN WHOLE OR IN PART AS THE BASIS FOR MANUFACTURE OR SALE OF ITEMS WITHOUT WRITTEN PERMISSION.

REVISIONS				
REV.	DESCRIPTION	DRFTG.	APP BY	DATE

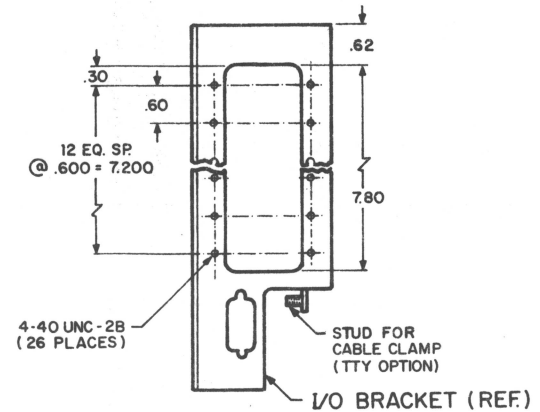


NOTE 3 (SHT 1)
 * SLOTS 9 & 10 ARE CONFIGURED TO ALLOW THE CUSTOMER A LARGER NUMBER OF I/O PINS (THAT IS 77/SLOT EXTRA).
 ** IF TTY, P.T.P., P.T.R. OPTIONS ARE ORDERED, THEY MUST BE CONFIGURED IN SLOT 3.

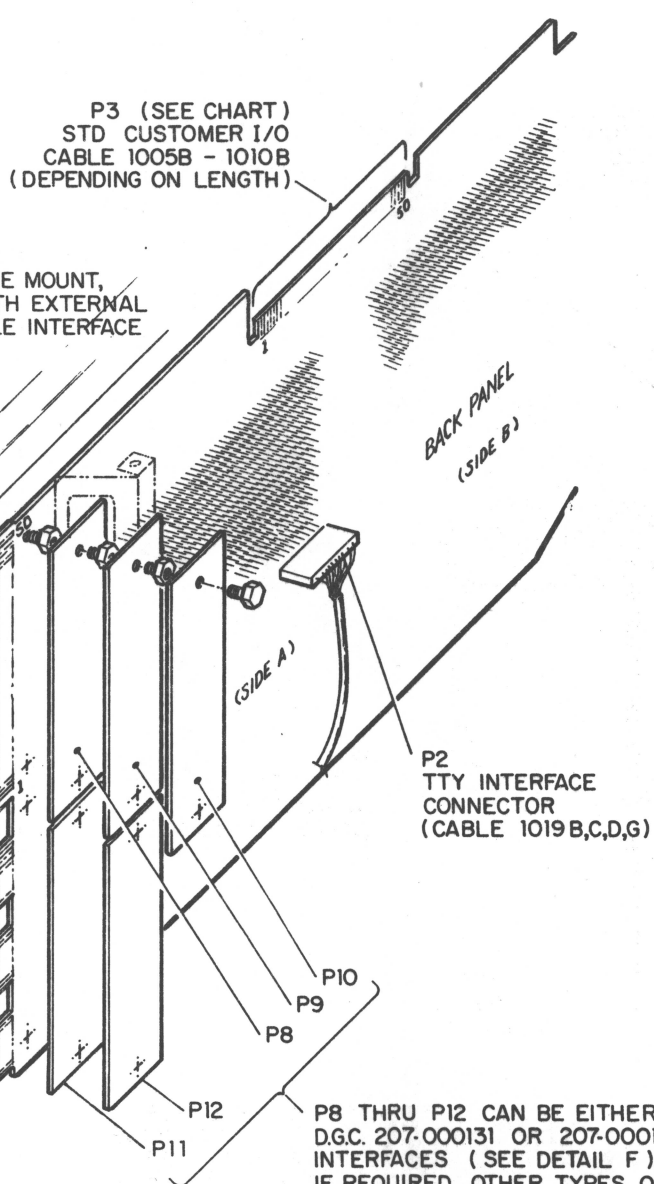
DETAIL B



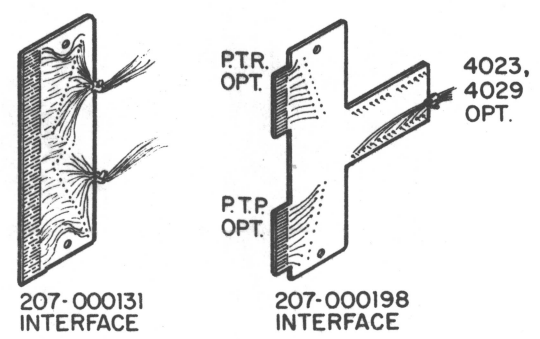
SUGGESTED STRAIN RELIEF OF EXTERNAL CABLE, AS REQUIRED



DETAIL E



DETAIL D



DETAIL F

P3		
LETTER SIDE	NUMBER SIDE	SIGNAL NAME
~	1 THRU 50	GND
A		GND
B		PWR ON (+5V)
C		MSKO
D		INTA
E		DATIB
F		DATIA
H		DS3
J		DATOC
K		CLR
L		STRT
M		DATIC
N		DATOB
P		DATOA
R		DCHA
S		DS4
T		DS5
U		DS2
V		DS1
W		IORST
X		IOPLS
Y		IOPLS
Z		SELD
a		SELB
b		DCHP OUT
c		INTP OUT
d		DCHMO
e		DCHMI
f		INTR
h		DCHO
j		DCHR
k		DCH1
l		OVFLO
m		ROENB
n		DATA 7
p		DATA 14
r		DATA 5
s		DATA 11
t		DATA 12
u		DATA 8
v		DATA 4
w		DATA 0
x		DATA 9
y		DATA 13
z		DATA 1
AA		DATA 15
AB		DATA 3
AC		DATA 10
AD		DATA 2
AE		DATA 6
AF		GND

P4		
NUMBER SIDE	LETTER SIDE	BACK PANEL SLOT-SIDE-PIN NO.
~	A-THRU-AF GND	~
1		GND
2		9-A-92
3		9-A-91
4		9-A-78
5		9-A-77
6		9-A-76
7		9-A-75
8		9-A-73
9		9-A-71
10		9-A-69
11		9-A-67
12		9-A-65
13		9-A-63
14		9-A-61
15		9-A-59
16		9-A-57
17		9-A-47
18		9-A-49
19		9-A-79
20		9-A-81
21		9-A-84
22		9-A-83
23		9-A-86
24		9-A-85
25		9-A-88
26		9-A-87
27		9-A-89
28		9-A-90
29		9-B-6
30		9-B-11
31		9-B-13
32		9-B-15
33		9-B-19
34		9-B-23
35		9-B-25
36		9-B-27
37		9-B-31
38		9-B-34
39		9-B-36
40		9-B-38
41		9-B-40
42		9-B-48
43		9-B-49
44		9-B-51
45		9-B-52
46		9-B-53
47		9-B-54
48		9-B-67
49		9-B-69
50		(RESERVED)

QTY	DESCRIPTION	PART NO
DRAWN	5-2-73	DATA GENERAL CORPORATION
CHECKED		SOUTHBORO, MASSACHUSETTS 01772
ENGINEER		TITLE
APPROVED	5-2-73	NOVA 820/1220
FIRST USED ON		RACK
MATERIAL		INSTALLATION
FINISH		SIZE CODE
		DRAWING NUMBER
		000036
		REV
		01