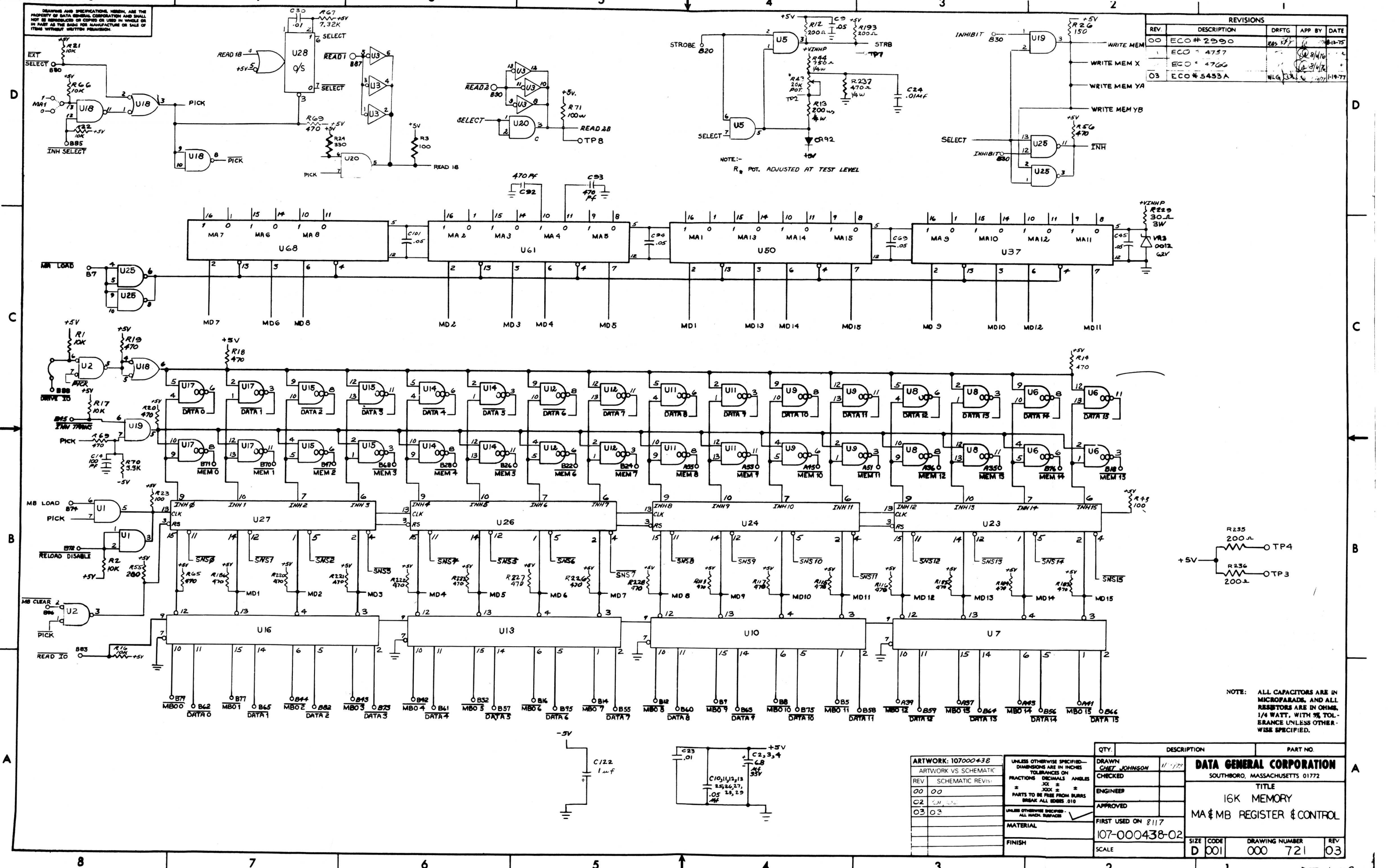


DRAWING AND SPECIFICATIONS HEREON ARE THE PROPERTY OF DATA GENERAL CORPORATION AND SHALL NOT BE REPRODUCED OR COPIED OR USED IN WHOLE OR IN PART AS THE BASIS FOR MANUFACTURE OR SALE OF ITEMS WITHOUT WRITTEN PERMISSION.

REVISIONS				
REV	DESCRIPTION	DRFTG	APP BY	DATE
00	ECO # 2990			11-15
01	ECO # 4757			
02	ECO # 4766			
03	ECO # 5453A	WLG		11-77

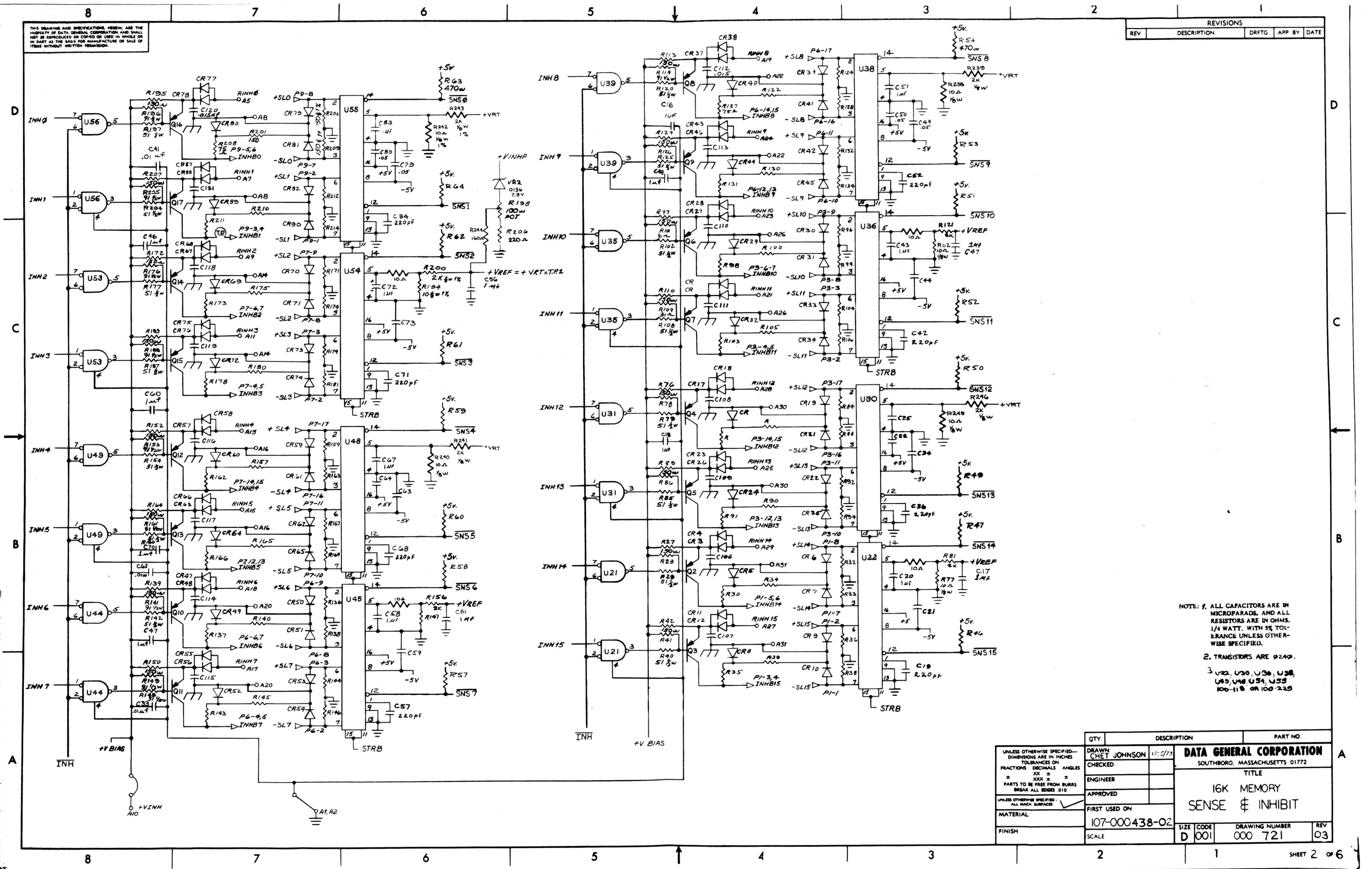


REV	DESCRIPTION	QTY.	DESCRIPTION	PART NO.
00	00			
02	02			
03	03			

ARTWORK: 107000438	UNLESS OTHERWISE SPECIFIED— DIMENSIONS ARE IN INCHES TOLERANCES ON FRACTIONS DECIMALS ANGLES XXX ± PARTS TO BE FREE FROM BURRS BREAK ALL EDGES .010	DRAWN CHET JOHNSON 11/77	DATA GENERAL CORPORATION SOUTHBORO, MASSACHUSETTS 01772
REV SCHEMATIC REVIS:	UNLESS OTHERWISE SPECIFIED— ALL MACH. SURFACES	ENGINEER	TITLE 16K MEMORY MA & MB REGISTER & CONTROL
	MATERIAL	APPROVED	FIRST USED ON 8117
	FINISH		107-000438-02
			SCALE
			SIZE CODE D 001
			DRAWING NUMBER 000 721
			REV 03

THIS DRAWING AND SPECIFICATIONS HEREIN, ARE THE PROPERTY OF DATA GENERAL CORPORATION AND SHALL NOT BE REPRODUCED OR COPIED OR USED IN WHOLE OR IN PART AS THE BASIS FOR MANUFACTURE OR SALE OF ITEMS WITHOUT WRITTEN PERMISSION.

REVISIONS				
REV	DESCRIPTION	DRFTG	APP BY	DATE



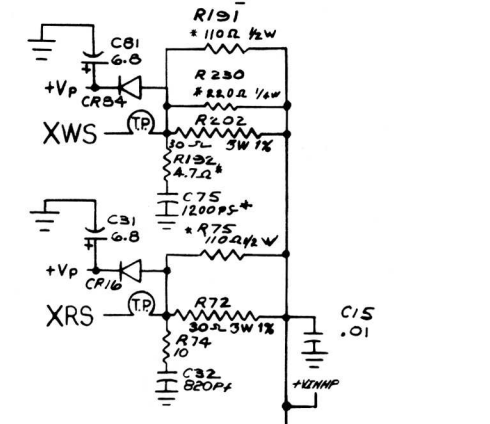
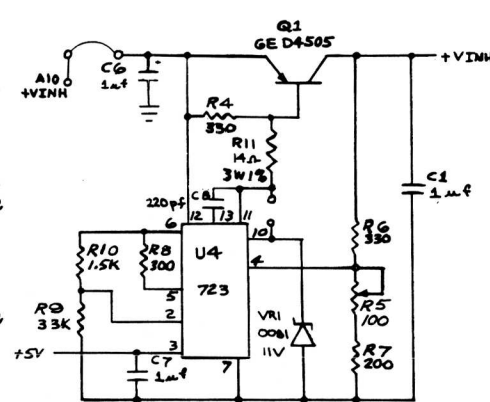
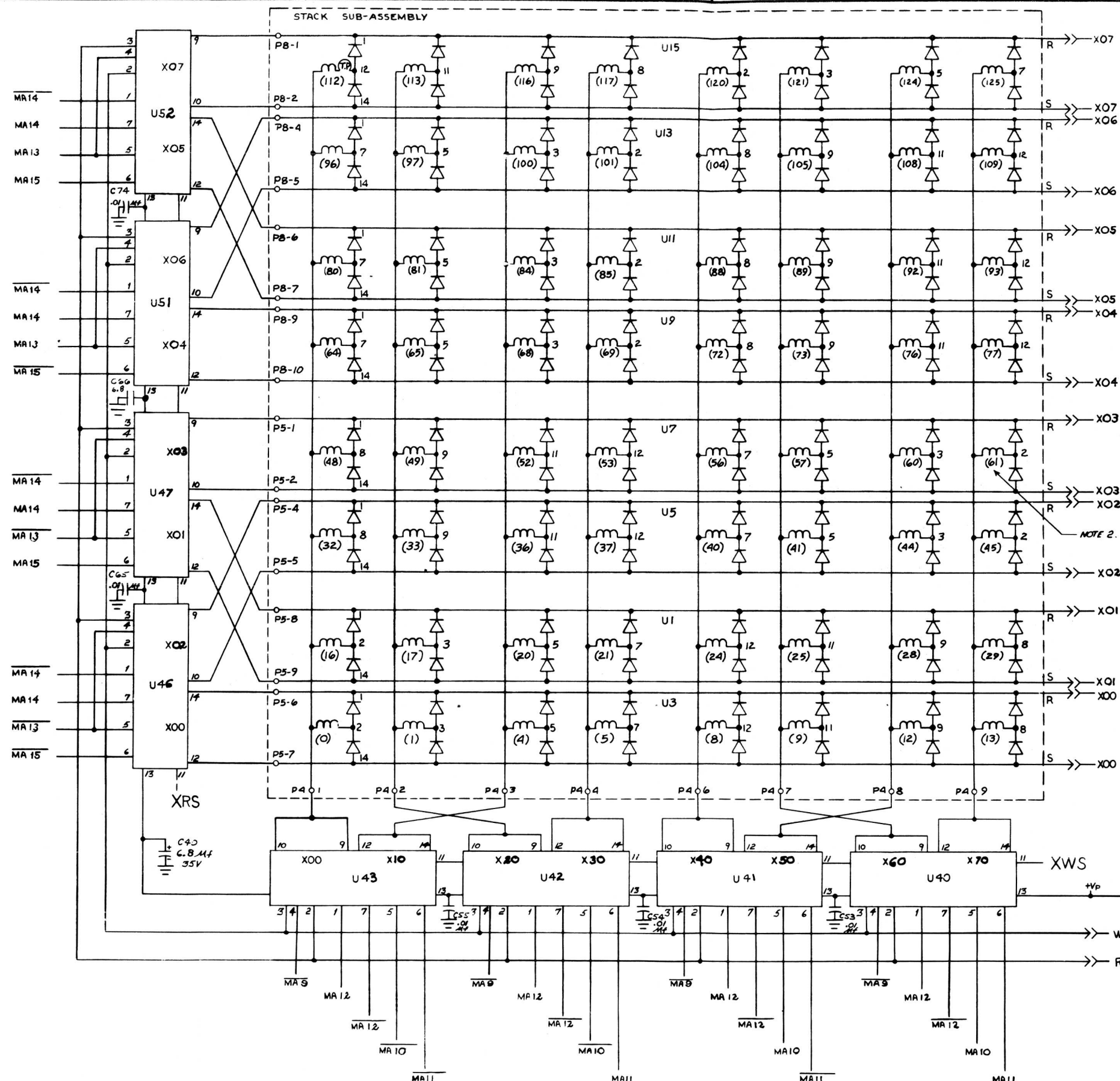
NOTE: 1. ALL CAPACITORS ARE IN MICROFARADS, AND ALL RESISTORS ARE IN OHMS, 1/4 WATT, WITH 5% TOLERANCE UNLESS OTHERWISE SPECIFIED.
 2. TRANSISTORS ARE 9249.
 3. U22, U30, U36, U38, U45, U48, U53, U55 100-118 OR 100-229

QTY	DESCRIPTION	PART NO.

UNLESS OTHERWISE SPECIFIED—DIMENSIONS ARE IN INCHES—TOLERANCES ON FRACTIONS DECIMALS ANGLES		DRAWN CHET JOHNSON 11/2/73	DATA GENERAL CORPORATION SOUTHBORO, MASSACHUSETTS 01772
CHECKED			
ENGINEER			TITLE
APPROVED			16K MEMORY SENSE & INHIBIT
MATERIAL			
FINISH			
		FIRST USED ON	
		107-000438-02	
		SCALE	
		SIZE CODE	
		DRAWING NUMBER	
		000 721	
		REV	
		03	

THIS DRAWING AND SPECIFICATIONS, HEREIN, ARE THE PROPERTY OF DATA GENERAL CORPORATION AND SHALL NOT BE REPRODUCED OR COPIED OR USED IN WHOLE OR IN PART AS THE BASIS FOR MANUFACTURE OR SALE OF ITEMS WITHOUT WRITTEN PERMISSION.

REVISIONS			
REV	DESCRIPTION	DRFTG	APP BY DATE



NOTE:
 1. C₇R₇ MAY BE VARIED AT TEST LEVEL.
 2. FOR STACK VENDOR USE ONLY.

NOTE: ALL CAPACITORS ARE IN MICROFARADS, AND ALL RESISTORS ARE IN OHMS, 1/4 WATT, WITH 5% TOLERANCE UNLESS OTHERWISE SPECIFIED.

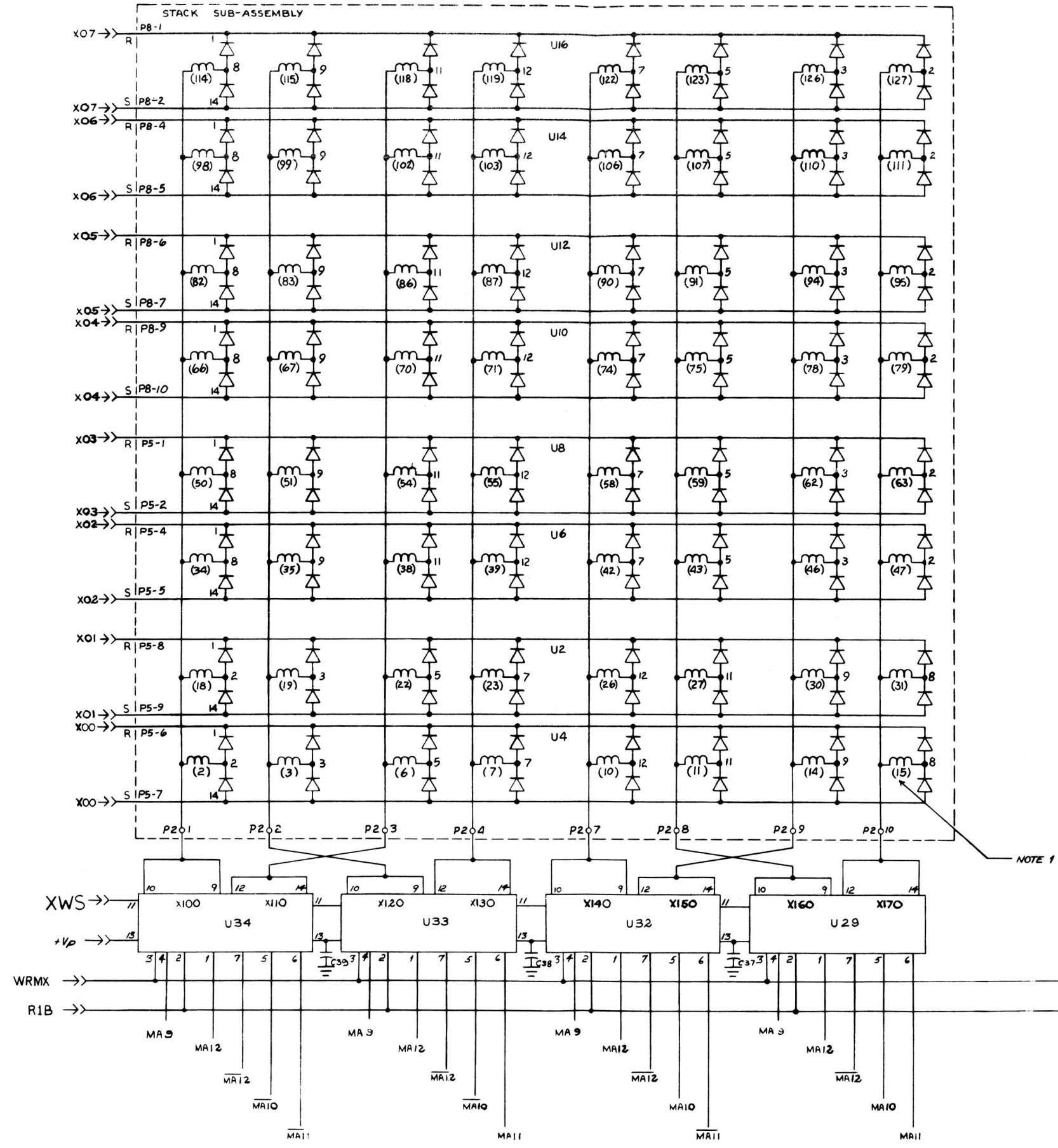
QTY	DESCRIPTION	PART NO.

UNLESS OTHERWISE SPECIFIED—DIMENSIONS ARE IN INCHES—TOLERANCES ON FRACTIONS DECIMALS ANGLES .XX ± .XXX ± .010	DRAWN CHET JOHNSON	DATA GENERAL CORPORATION SOUTHBORO, MASSACHUSETTS 01772
PARTS TO BE FREE FROM BURRS BREAK ALL EDGES .010	CHECKED	
UNLESS OTHERWISE SPECIFIED—ALL MACH. SURFACES	ENGINEER <i>[Signature]</i>	TITLE 16K MEMORY X DRIVERS
	APPROVED	
	FIRST USED ON	
MATERIAL	107-000438-02	DRAWING NUMBER 000 721
FINISH	SCALE	REV 03

50

THIS DRAWING AND SPECIFICATIONS HEREIN ARE THE PROPERTY OF DATA GENERAL CORPORATION AND SHALL NOT BE REPRODUCED OR COPIED OR USED IN WHOLE OR IN PART AS THE BASIS FOR MANUFACTURE OR SALE OF ITEMS WITHOUT WRITTEN PERMISSION.

REVISIONS				
REV	DESCRIPTION	DRFTG	APP BY	DATE



NOTE 1

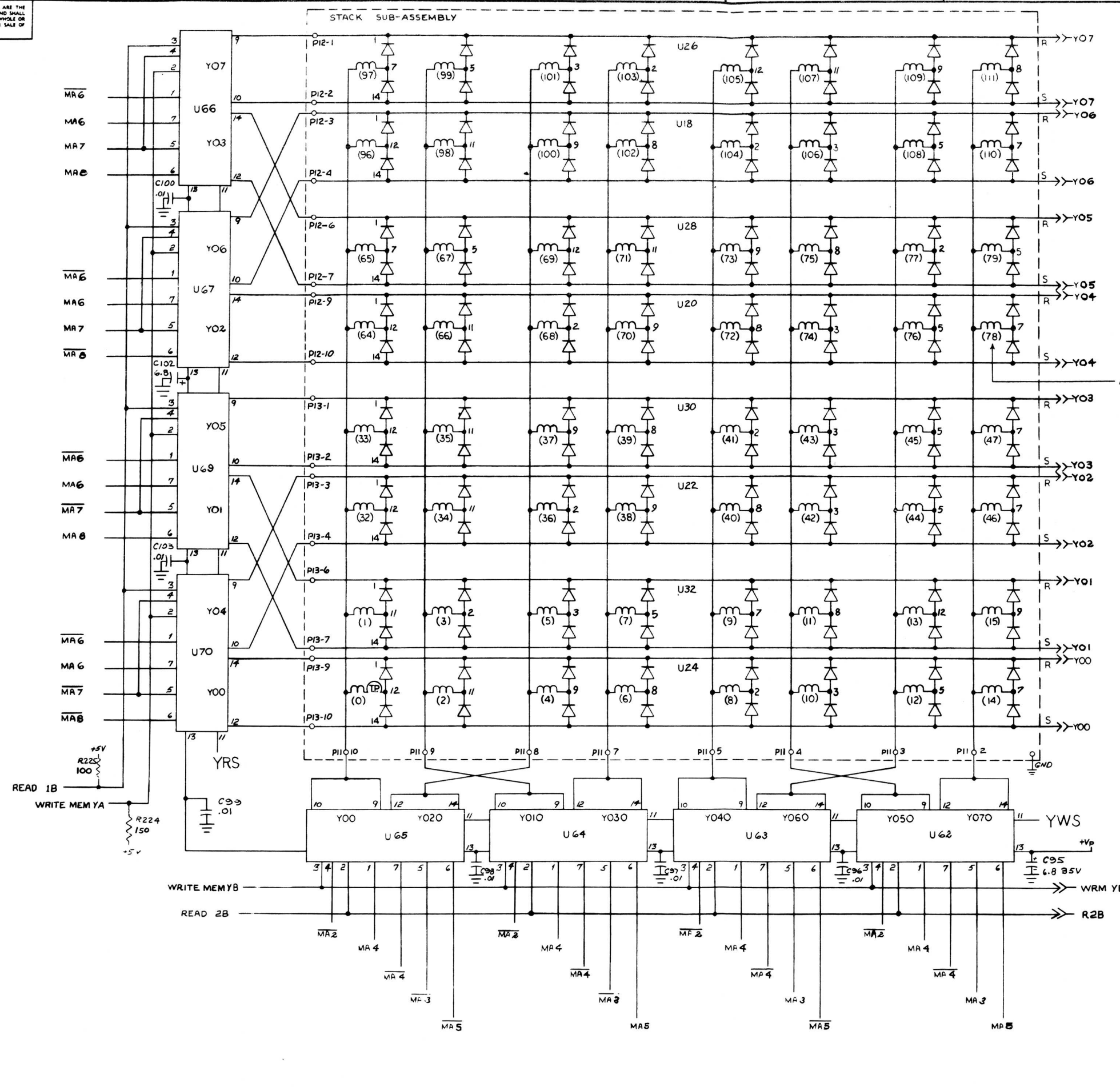
NOTE:
1. FOR STACK VENDOR USE ONLY.

NOTE: ALL CAPACITORS ARE IN MICROFARADS, AND ALL RESISTORS ARE IN OHMS. 1/4 WATT, WITH 5% TOLERANCE UNLESS OTHERWISE SPECIFIED.

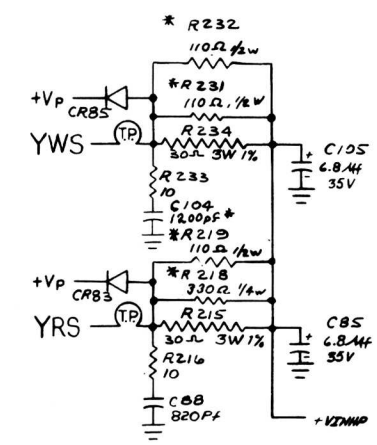
<small>UNLESS OTHERWISE SPECIFIED— DIMENSIONS ARE IN INCHES TOLERANCES ON FRACTIONS DECIMALS ANGLES ± .XX ± ± .XXX ± PARTS TO BE FREE FROM BURRS BREAK ALL EDGES 010</small>	<small>DRAWN</small> CHET JOHNSON	<small>DATE</small> 11/5/72	DATA GENERAL CORPORATION SOUTHBORO, MASSACHUSETTS 01772	
	<small>CHECKED</small> 		TITLE 16K MEMORY X DRIVERS	
	<small>ENGINEER</small> 		DRAWING NUMBER 000 721	
	<small>APPROVED</small> 		REV 03	
<small>UNLESS OTHERWISE SPECIFIED— ALL MACH SURFACES</small>	<small>FIRST USED ON</small> 107-000438-02	<small>SCALE</small> D 001		
<small>MATERIAL</small> 				
<small>FINISH</small> 				

THIS DRAWING AND SPECIFICATIONS HEREIN ARE THE PROPERTY OF DATA GENERAL CORPORATION AND SHALL NOT BE REPRODUCED OR COPIED OR USED IN WHOLE OR IN PART AS THE BASIS FOR MANUFACTURE OR SALE OF ITEMS WITHOUT WRITTEN PERMISSION.

REVISIONS				
REV	DESCRIPTION	DRFTG	APP BY	DATE



NOTE 2



NOTE:
 R*
 1. RESISTORS SELECTED AT TEST LEVEL.
 2. FOR STACK VENDOR USE ONLY.
 S=SOURCE
 R=RETURN

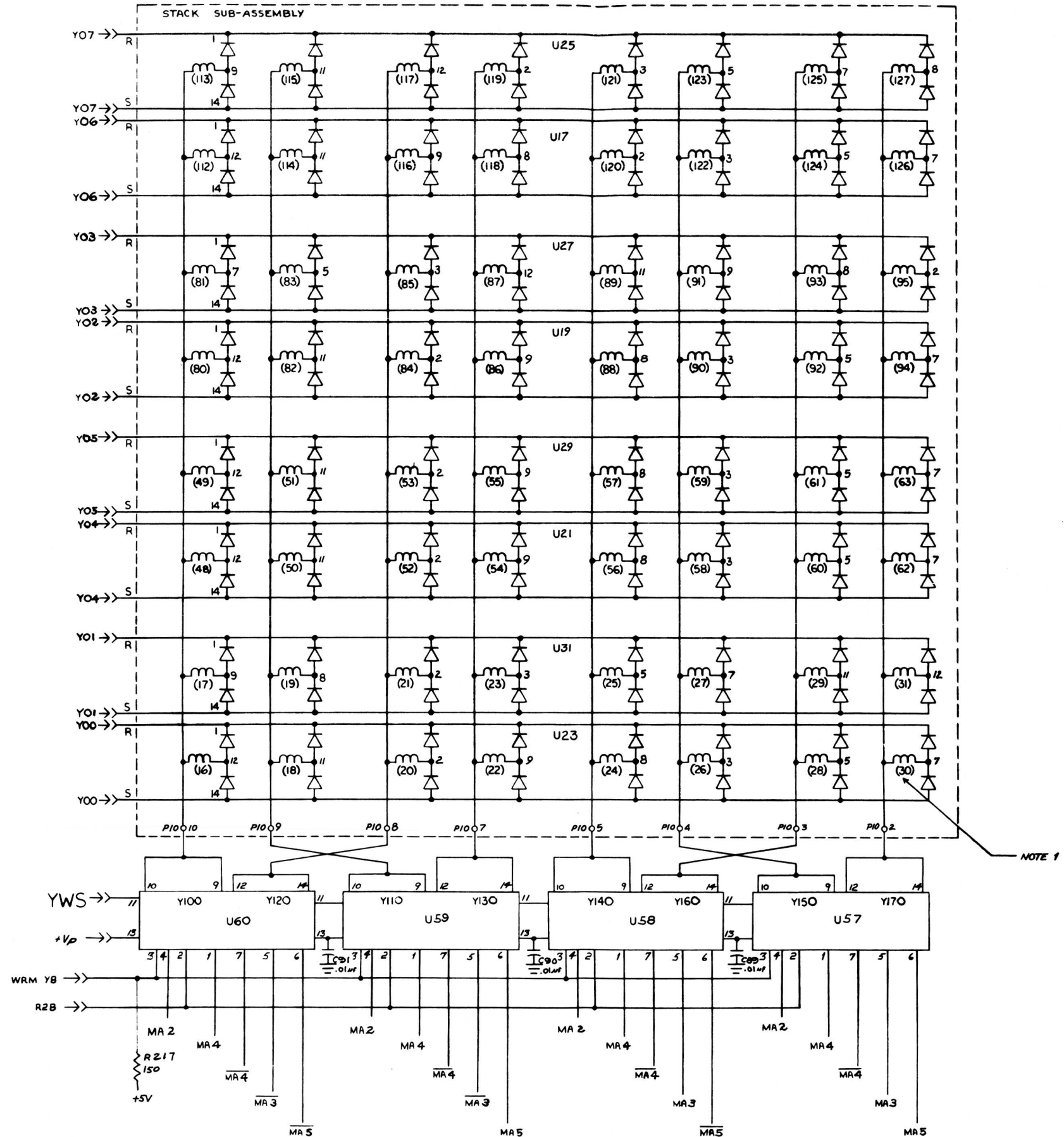
NOTE: ALL CAPACITORS ARE IN MICROFARADS, AND ALL RESISTORS ARE IN OHMS, 1/4 WATT, WITH 5% TOLERANCE UNLESS OTHERWISE SPECIFIED.

QTY	DESCRIPTION	PART NO

UNLESS OTHERWISE SPECIFIED— DIMENSIONS ARE IN INCHES TOLERANCES ON FRACTIONS DECIMALS ANGLES XX ± .XX PARTS TO BE FREE FROM BURRS BREAK ALL EDGES C10 UNLESS OTHERWISE SPECIFIED— ALL MACH SURFACES		DRAWN C.H.T. JOHNSON 11/2/74 CHECKED ENGINEER APPROVED FIRST USED ON 107-000438-02 FINISH SCALE	DATA GENERAL CORPORATION SOUTHBORO, MASSACHUSETTS 01772 TITLE 16K MEMORY Y DRIVERS SIZE CODE D 001 DRAWING NUMBER 000 721 REV 03
---	--	---	---

THIS DRAWING AND SPECIFICATIONS, HEREIN, ARE THE PROPERTY OF DATA GENERAL CORPORATION AND SHALL NOT BE REPRODUCED OR COPIED OR USED IN WHOLE OR IN PART AS THE BASIS FOR MANUFACTURE OR SALE OF ITEMS WITHOUT WRITTEN PERMISSION.

REVISIONS				
REV	DESCRIPTION	DRAFTG	APP BY	DATE



NOTE:-
1. FOR STACK VENDOR USE ONLY.

NOTE: ALL CAPACITORS ARE IN MICROFARADS, AND ALL RESISTORS ARE IN OHMS. 1/4 WATT. WITH 5% TOLERANCE UNLESS OTHERWISE SPECIFIED.

QTY.	DESCRIPTION	PART NO.

UNLESS OTHERWISE SPECIFIED—DIMENSIONS ARE IN INCHES—TOLERANCES ON FRACTIONS DECIMALS ANGLES ± .005 ± .002 ± .010	UNLESS OTHERWISE SPECIFIED—ALL MACH. SURFACES	DATA GENERAL CORPORATION SOUTHBORO, MASSACHUSETTS 01772 TITLE 16K MEMORY Y DRIVERS
DRAWN CHET JOHNSON 1/15/77	CHECKED	
ENGINEER	APPROVED	
MATERIAL	FIRST USED ON	
FINISH	107-000438-02	
SCALE	SIZE D	CODE 001
	DRAWING NUMBER 000 721	REV 03