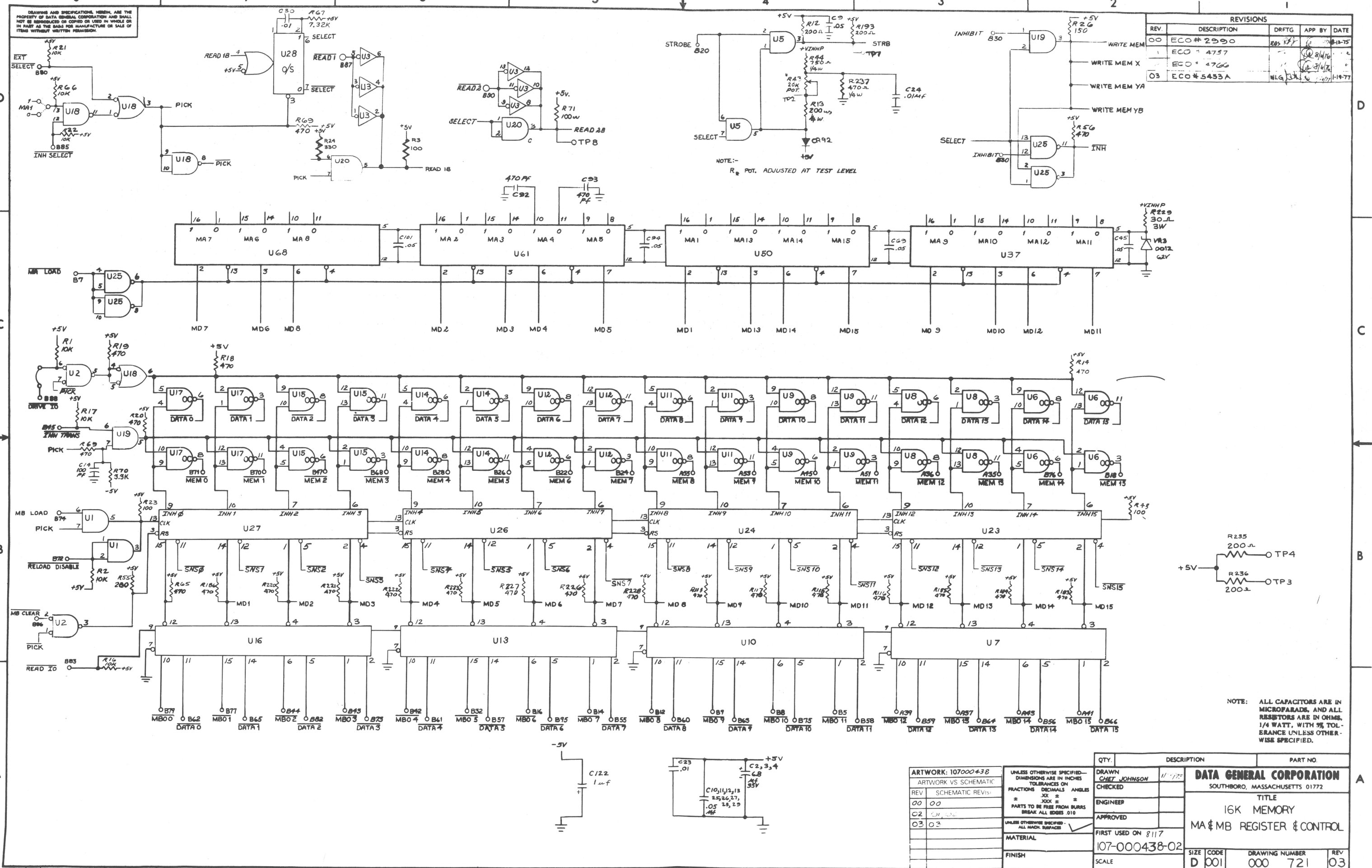


DRAWINGS AND SPECIFICATIONS, HEREIN, ARE THE PROPERTY OF DATA GENERAL CORPORATION AND SHALL NOT BE REPRODUCED OR COPIED OR USED IN WHOLE OR IN PART AS THE BASIS FOR MANUFACTURE OR SALE OF ITEMS WITHOUT WRITTEN PERMISSION.

REVISIONS				
REV.	DESCRIPTION	DRFTG.	APP BY	DATE
00	ECO # 2990	WLS		11-18-75
01	ECO # 4757			12-8/476
02	ECO # 4766			12-8/476
03	ECO # 5453A	WLS		1-19-77



NOTE: ALL CAPACITORS ARE IN MICROFARADS, AND ALL RESISTORS ARE IN OHMS, 1/4 WATT, WITH 5% TOLERANCE UNLESS OTHERWISE SPECIFIED.

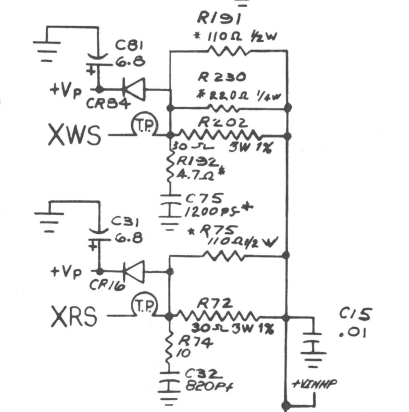
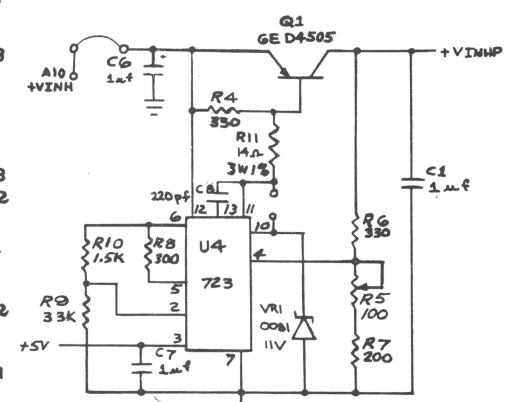
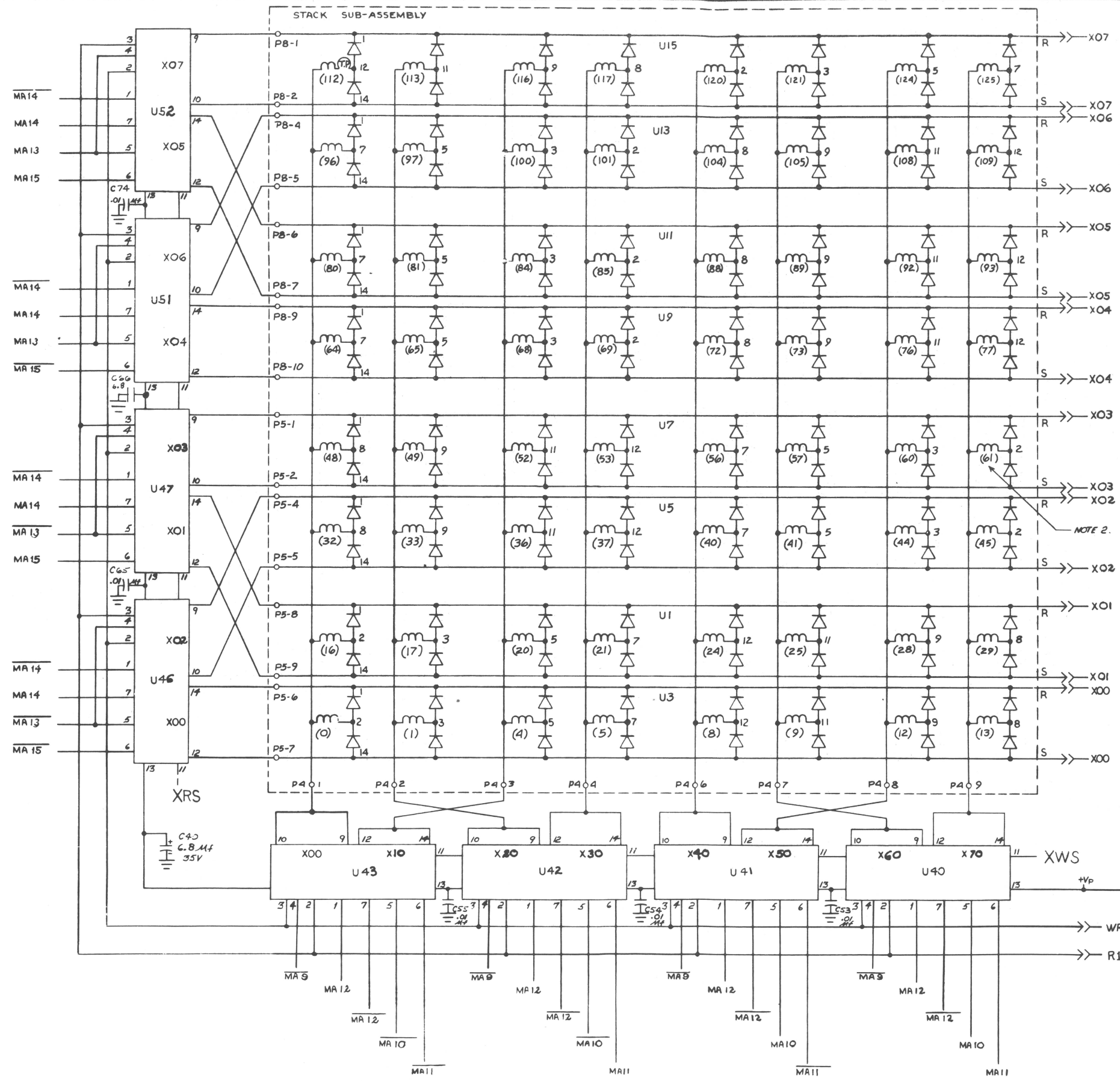
ARTWORK: 107000438	UNLESS OTHERWISE SPECIFIED—DIMENSIONS ARE IN INCHES—TOLERANCES ON FRACTIONS DECIMALS ANGLES .XX ± .XX .05 ± .05 .10 ± .10 .25 ± .25 .50 ± .50 1.00 ± 1.00
REV. 00	PARTS TO BE FREE FROM BURRS BREAK ALL EDGES 010
REV. 02	UNLESS OTHERWISE SPECIFIED—ALL MACH SURFACES
REV. 03	MATERIAL FINISH

QTY.	DESCRIPTION	PART NO.

DRAWN: CHET JOHNSON 11-77			
CHECKED:			
ENGINEER:			
APPROVED:			
FIRST USED ON 8117			
107-000438-02			
SIZE	CODE	DRAWING NUMBER	REV
D	001	000 721	03

THIS DRAWING AND SPECIFICATIONS HEREIN, ARE THE PROPERTY OF DATA GENERAL CORPORATION AND SHALL NOT BE REPRODUCED OR COPIED OR USED IN WHOLE OR IN PART AS THE BASIS FOR MANUFACTURE OR SALE OF ITEMS WITHOUT WRITTEN PERMISSION.

REVISIONS			
REV	DESCRIPTION	DRFTG	APP BY DATE



NOTE:
 1. C₁ R₁ MAY BE VARIED AT TEST LEVEL.
 2. FOR STACK VENDOR USE ONLY.

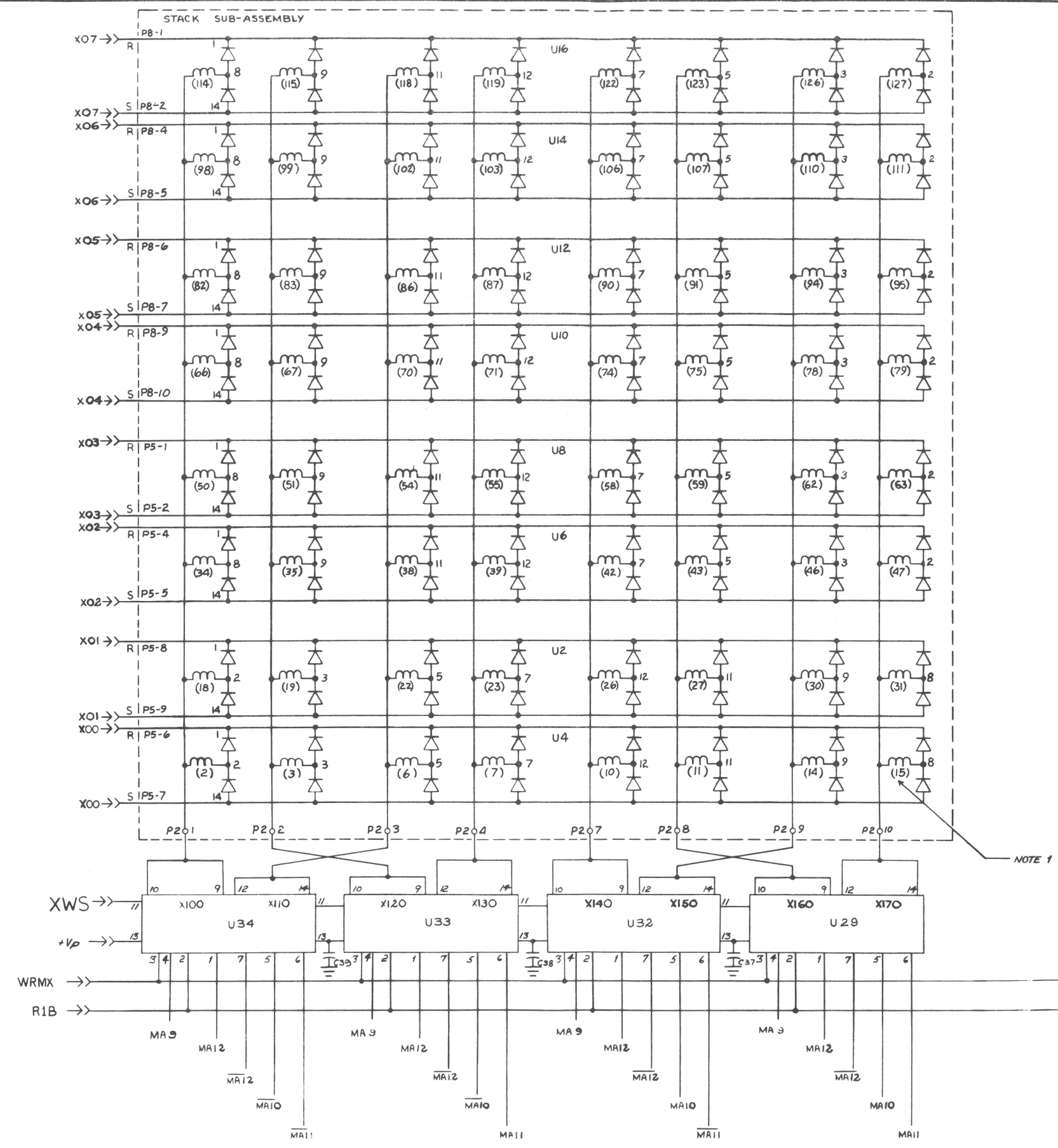
NOTE: ALL CAPACITORS ARE IN MICROPARADS, AND ALL RESISTORS ARE IN OHMS, 1/4 WATT, WITH 5% TOLERANCE UNLESS OTHERWISE SPECIFIED.

QTY	DESCRIPTION	PART NO.

UNLESS OTHERWISE SPECIFIED— DIMENSIONS ARE IN INCHES— TOLERANCES ON FRACTIONS DECIMALS ANGLES XX ± PARTS TO BE FREE FROM BURRS BREAK ALL EDGES .010	DRAWN CHET JOHNSON CHECKED ENGINEER APPROVED	DATA GENERAL CORPORATION SOUTHBORO, MASSACHUSETTS 01772 TITLE 16K MEMORY X DRIVERS
MATERIAL	FIRST USED ON 107-000438-02	DRAWING NUMBER 000 721
FINISH	SCALE	REV 03

THIS DRAWING AND SPECIFICATIONS, HEREIN, ARE THE PROPERTY OF DATA GENERAL CORPORATION AND SHALL NOT BE REPRODUCED OR COPIED OR USED IN WHOLE OR IN PART AS THE BASIS FOR MANUFACTURE OR SALE OF ITEMS WITHOUT WRITTEN PERMISSION.

REVISIONS				
REV	DESCRIPTION	DRFTG	APP BY	DATE



NOTE 1

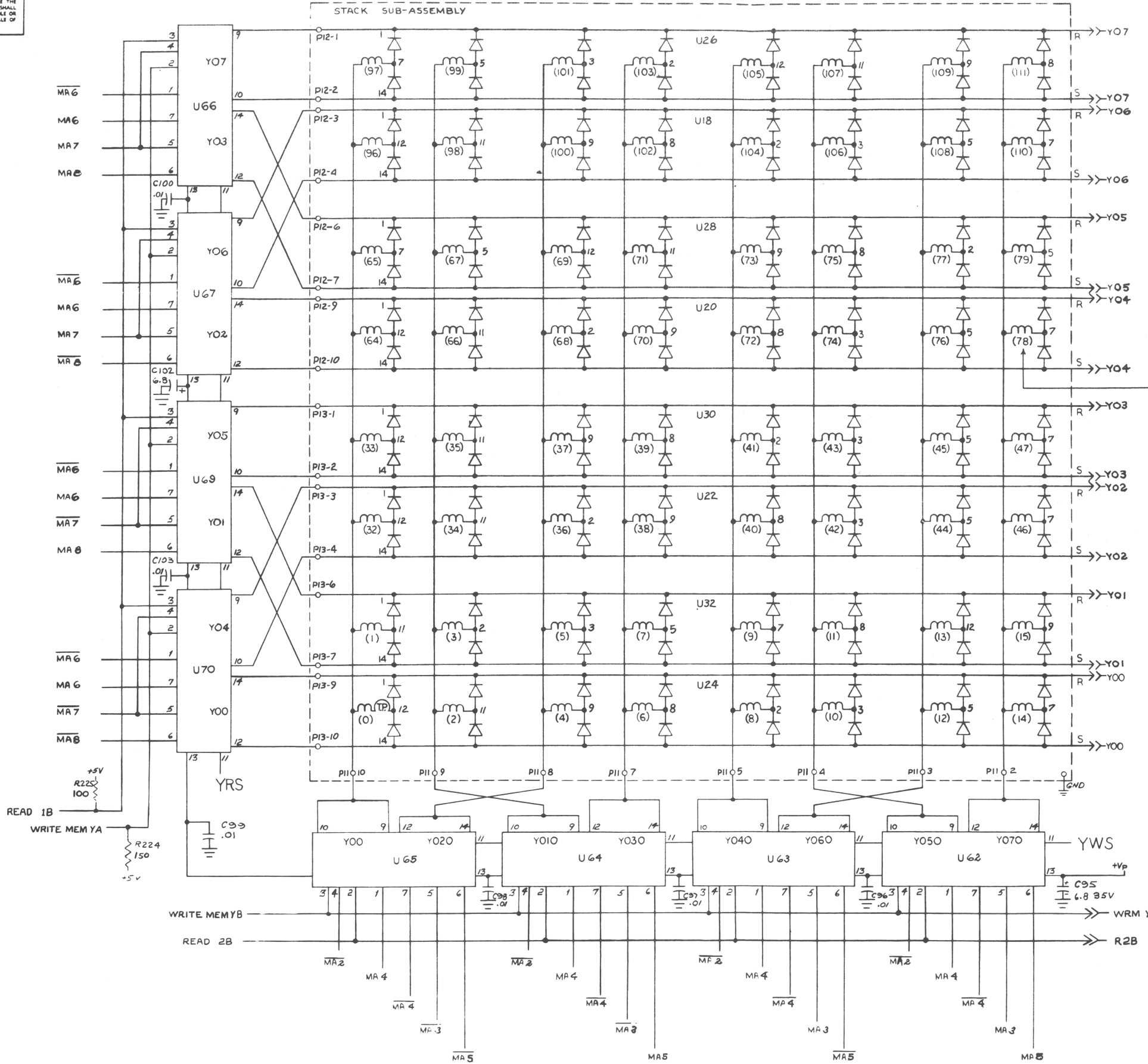
NOTE:-
1. FOR STACK VENDOR USE ONLY.

NOTE: ALL CAPACITORS ARE IN MICROFARADS, AND ALL RESISTORS ARE IN OHMS. 1/4 WATT, WITH 5% TOLERANCE UNLESS OTHERWISE SPECIFIED.

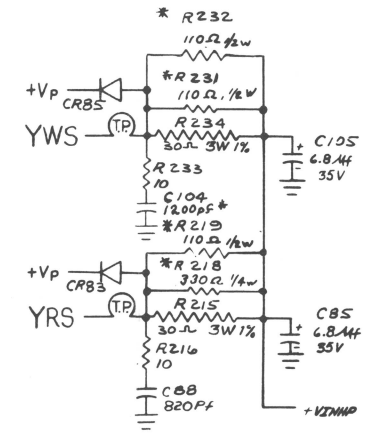
QTY.	DESCRIPTION	PART NO.
DRAWN CHET JOHNSON	11/5/72	DATA GENERAL CORPORATION
CHECKED		SOUTHBORO, MASSACHUSETTS 01772
ENGINEER		TITLE
APPROVED		16K MEMORY
FIRST USED ON		X DRIVERS
107-000438-02	SIZE	CODE
SCALE	D	001
	DRAWING NUMBER	REV
	000 721	03

THIS DRAWING AND SPECIFICATIONS HEREIN ARE THE PROPERTY OF DATA GENERAL CORPORATION AND SHALL NOT BE REPRODUCED OR COPIED OR USED IN WHOLE OR IN PART AS THE BASIS FOR MANUFACTURE OR SALE OF ITEMS WITHOUT WRITTEN PERMISSION.

REVISIONS				
REV	DESCRIPTION	DRFTG	APP BY	DATE



NOTE 2



NOTE:
 R*
 1. RESISTORS SELECTED AT TEST LEVEL.
 2. FOR STACK VENDOR USE ONLY.
 S=SOURCE
 R=RETURN

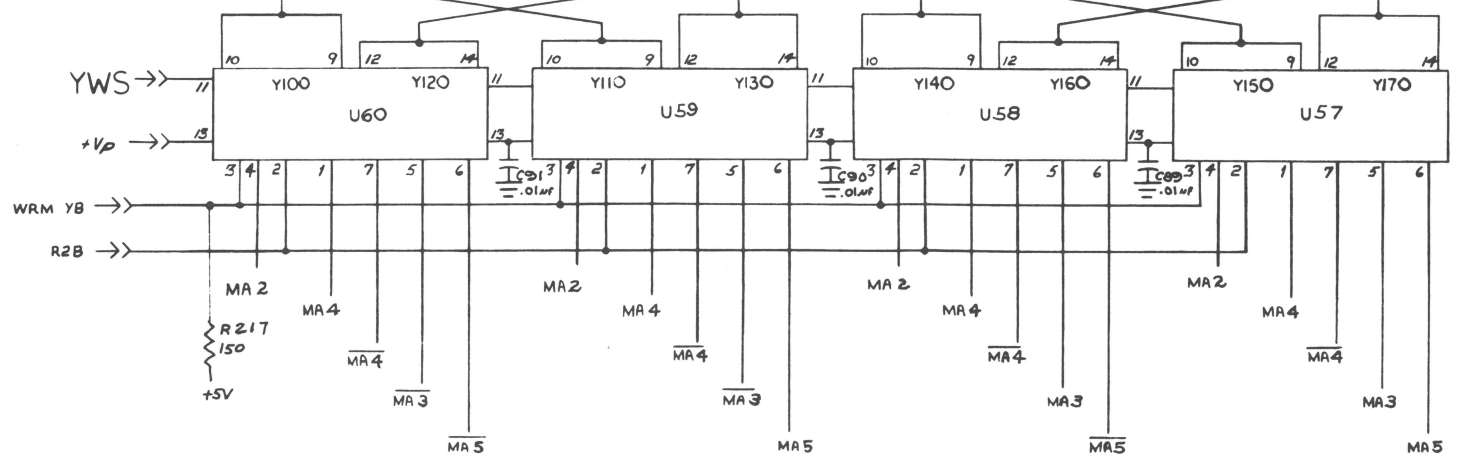
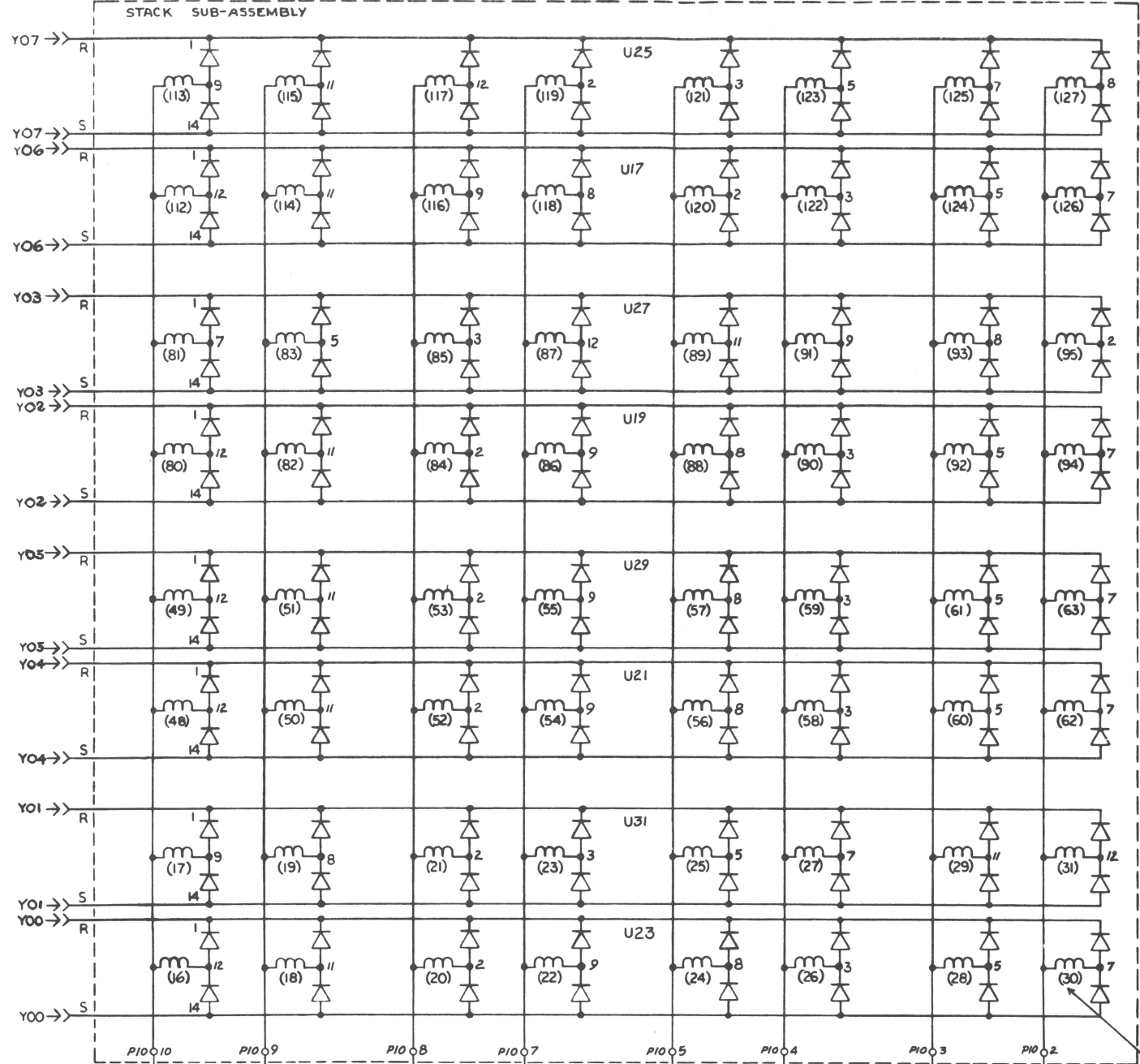
NOTE: ALL CAPACITORS ARE IN MICROPARADS, AND ALL RESISTORS ARE IN OHMS, 1/4 WATT, WITH 5% TOLERANCE UNLESS OTHERWISE SPECIFIED.

QTY	DESCRIPTION	PART NO.

UNLESS OTHERWISE SPECIFIED— DIMENSIONS ARE IN INCHES— FRACTIONS DECIMALS ANGLES ± .001 ± .005 ± .010 PARTS TO BE FREE FROM BURRS BREAK ALL EDGES 0.10	DRAWN CHET JOHNSON 11/2/72	DATA GENERAL CORPORATION SOUTHBORO, MASSACHUSETTS 01772
ENGINEER	APPROVED	TITLE 16K MEMORY Y DRIVERS
MATERIAL	FIRST USED ON 107-000438-02	SIZE CODE D 001
FINISH	SCALE	DRAWING NUMBER 000 721
		REV 03

THIS DRAWING AND SPECIFICATIONS HEREIN ARE THE PROPERTY OF DATA GENERAL CORPORATION AND SHALL NOT BE REPRODUCED OR COPIED OR USED IN WHOLE OR IN PART AS THE BASIS FOR MANUFACTURE OR SALE OF ITEMS WITHOUT WRITTEN PERMISSION.

REVISIONS			
REV	DESCRIPTION	DRFTG	APP BY DATE



NOTE 1

NOTE:-
1. FOR STACK VENDOR USE ONLY.

NOTE: ALL CAPACITORS ARE IN MICROFARADS, AND ALL RESISTORS ARE IN OHMS. 1/4 WATT, WITH 5% TOLERANCE UNLESS OTHERWISE SPECIFIED.

QTY.	DESCRIPTION	PART NO.

UNLESS OTHERWISE SPECIFIED— DIMENSIONS ARE IN INCHES TOLERANCES ON FRACTIONS DECIMALS ANGLES ± .001 ± .005 ± .010 PARTS TO BE FREE FROM BURRS BREAK ALL EDGES .010	DRAWN CHET JOHNSON 11/25/73	DATA GENERAL CORPORATION SOUTHBORO, MASSACHUSETTS 01772 TITLE 16K MEMORY Y DRIVERS
UNLESS OTHERWISE SPECIFIED— ALL MACH. SURFACES	CHECKED	
MATERIAL	ENGINEER	
FINISH	APPROVED	
	FIRST USED ON	
	107-000-438-02	
	SCALE	
	SIZE CODE	D 001
	DRAWING NUMBER	000 721
	REV	03

8

7

6

5

4

3

2

1

8

7

6

5

4

3

2

1