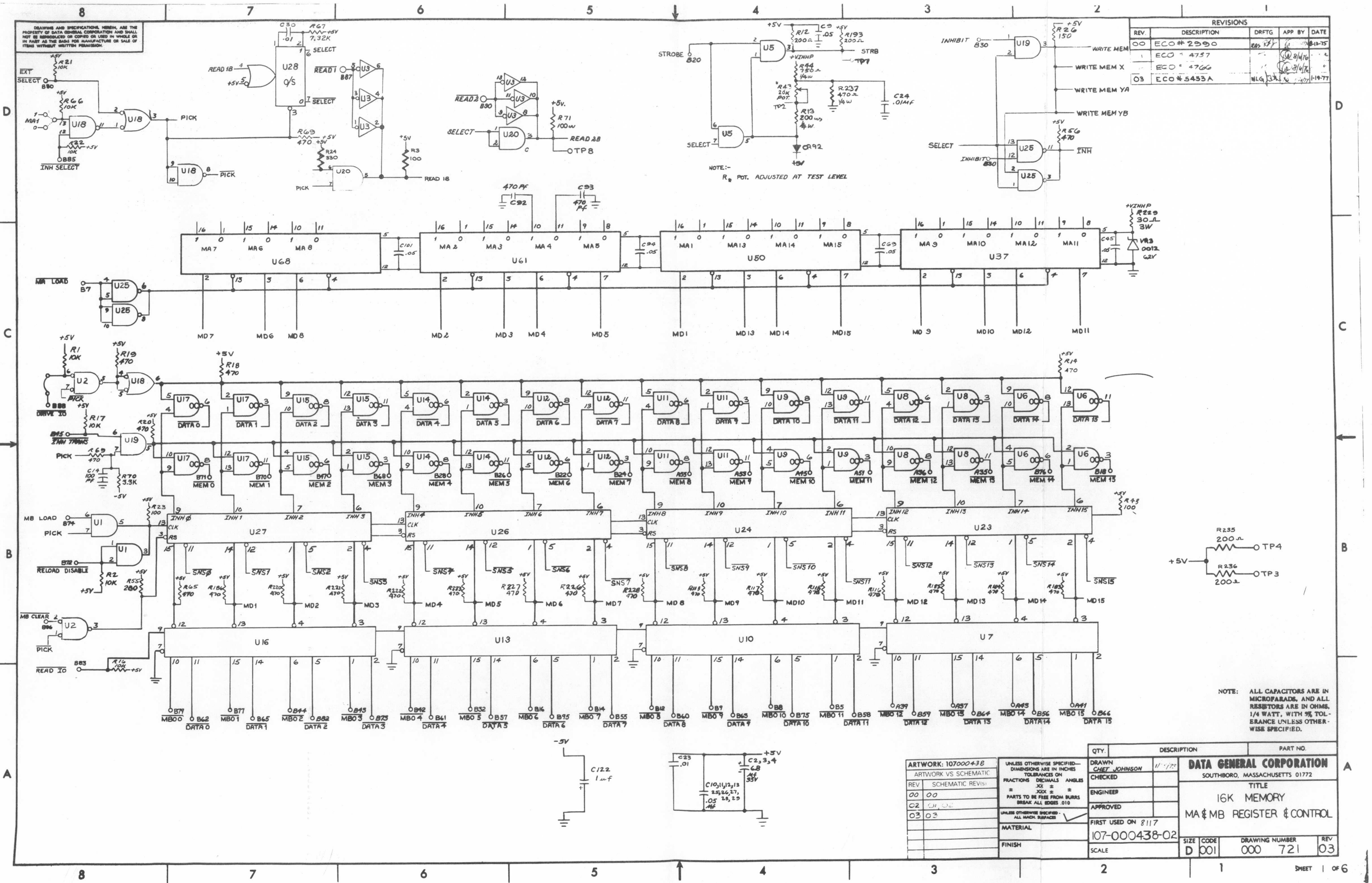


DRAWINGS AND SPECIFICATIONS HEREIN ARE THE PROPERTY OF DATA GENERAL CORPORATION AND SHALL NOT BE REPRODUCED OR COPIED OR USED IN WHOLE OR IN PART AS THE BASIS FOR MANUFACTURE OR SALE OF ITEMS WITHOUT WRITTEN PERMISSION.

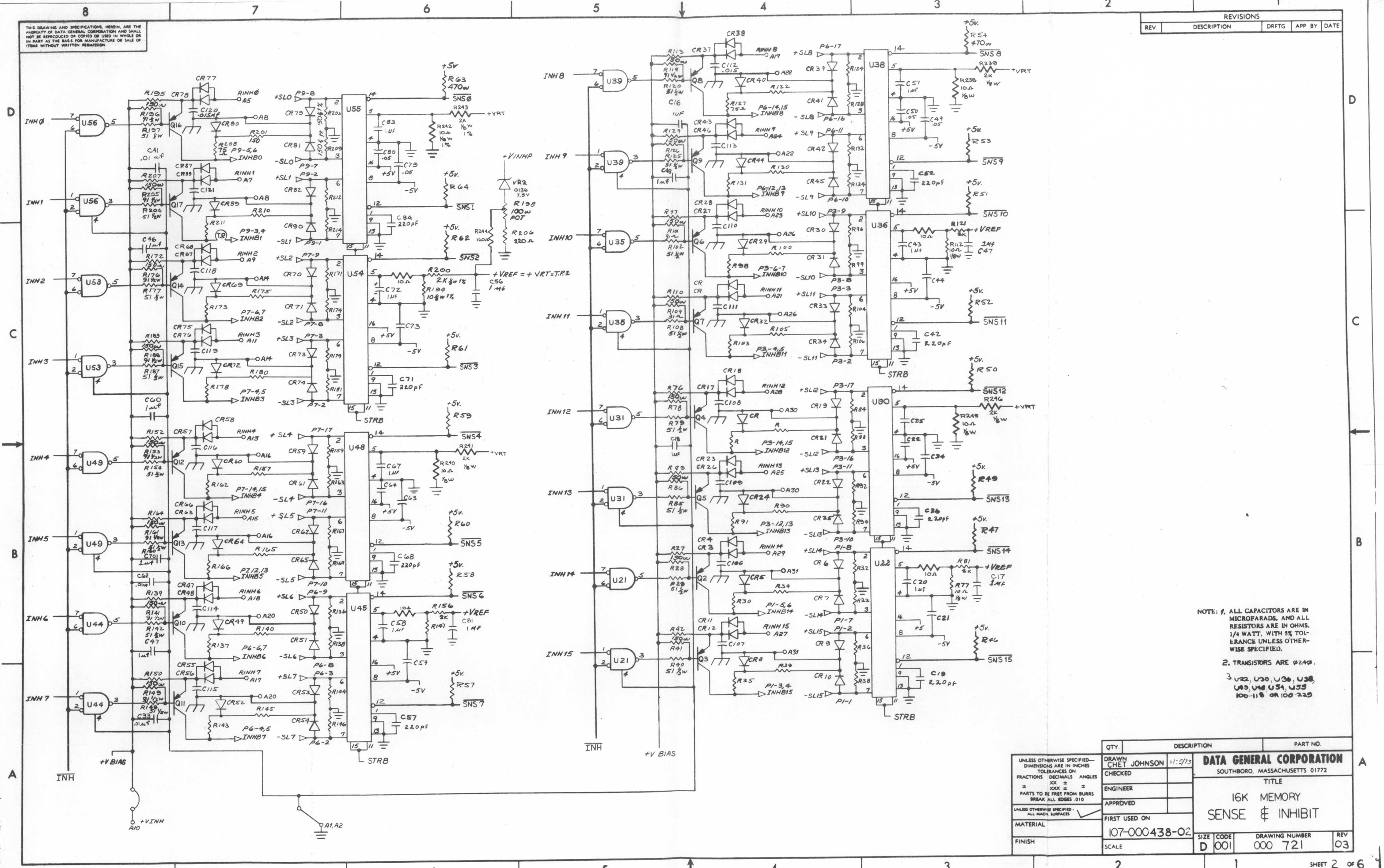
REVISIONS				
REV.	DESCRIPTION	DRFTG	APP BY	DATE
00	ECO # 2990	ERS	RJF	8-18-75
01	ECO # 4757			8/16/76
	ECO # 4766			8/16/76
03	ECO # 5453A	WLG	JL	11-9-77



QTY.	DESCRIPTION	PART NO.
ARTWORK: 107000438		
ARTWORK VS SCHEMATIC		
REV.	SCHEMATIC REVISION	
00	00	
02	01, 02	
03	03	
UNLESS OTHERWISE SPECIFIED— DIMENSIONS ARE IN INCHES TOLERANCES ON FRACTIONS DECIMALS ANGLES XXX ± .XXX ± .XXX PARTS TO BE FREE FROM BURRS BREAK ALL EDGES .010		
UNLESS OTHERWISE SPECIFIED— ALL MACH. SURFACES		
DRAWN <b>CHET JOHNSON</b> 11/1/75		
CHECKED		
ENGINEER		
APPROVED		
FIRST USED ON 8117		
MATERIAL		
FINISH		
SCALE		
<b>DATA GENERAL CORPORATION</b> SOUTHBORO, MASSACHUSETTS 01772 TITLE <b>16K MEMORY</b> <b>MA &amp; MB REGISTER &amp; CONTROL</b>		
SIZE	CODE	DRAWING NUMBER
D	001	000 721
REV	03	

THIS DRAWING AND SPECIFICATIONS, HEREIN, ARE THE PROPERTY OF DATA GENERAL CORPORATION AND SHALL NOT BE REPRODUCED OR COPIED OR USED IN WHOLE OR IN PART AS THE BASIS FOR MANUFACTURE OR SALE OF ITEMS WITHOUT WRITTEN PERMISSION.

REVISIONS			
REV	DESCRIPTION	DRFTG	APP BY DATE



NOTE: 1. ALL CAPACITORS ARE IN MICROFARADS, AND ALL RESISTORS ARE IN OHMS. 1/4 WATT, WITH 5% TOLERANCE UNLESS OTHERWISE SPECIFIED.

2. TRANSISTORS ARE 9249.

3. U22, U30, U36, U38, U45, U46, U54, U55, 100-118 OR 100-225

QTY.	DESCRIPTION	PART NO.

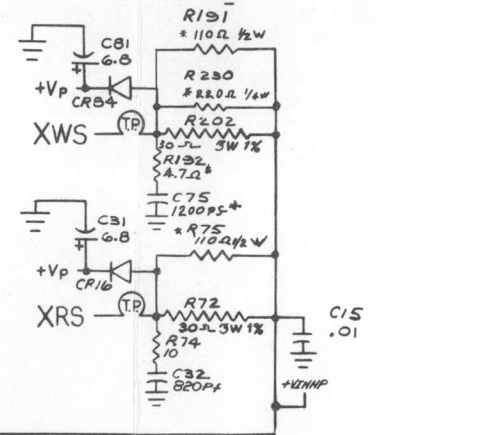
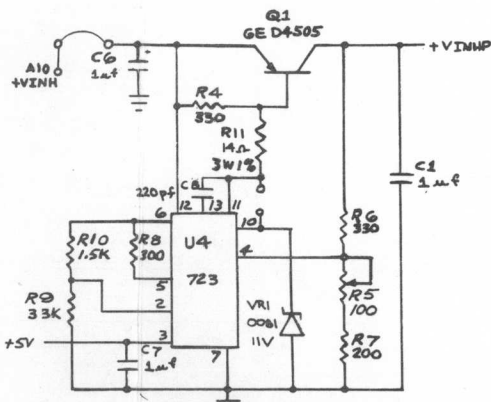
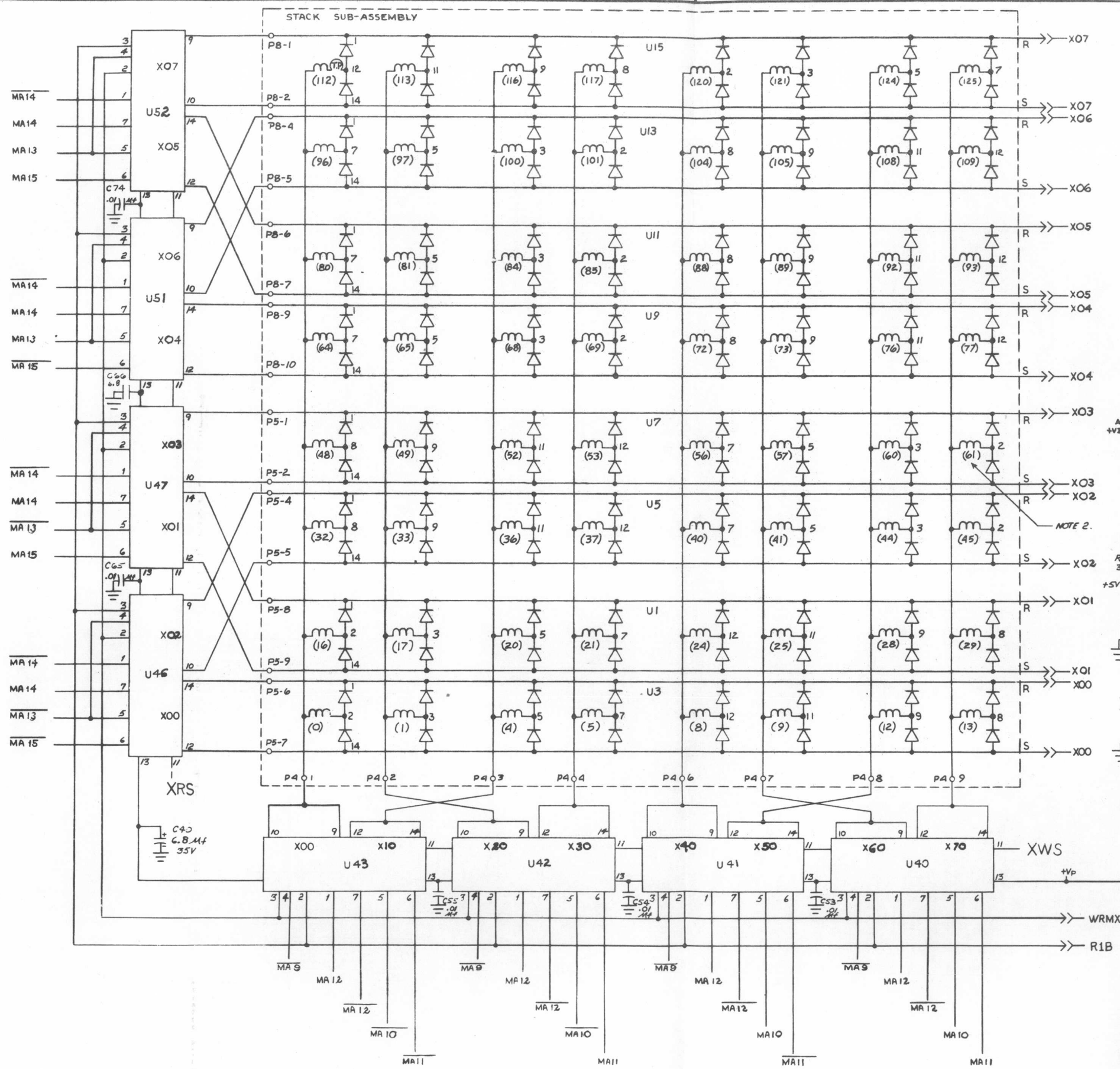
  

UNLESS OTHERWISE SPECIFIED— DIMENSIONS ARE IN INCHES— FRACTIONS DECIMALS ANGLES XX ± PARTS TO BE FREE FROM BURRS BREAK ALL EDGES .010	DRAWN CHET JOHNSON 11/2/73	<b>DATA GENERAL CORPORATION</b> SOUTHBORO, MASSACHUSETTS 01772
	CHECKED	TITLE
	ENGINEER	16K MEMORY SENSE & INHIBIT
	APPROVED	
	FIRST USED ON	
MATERIAL	107-000438-02	SIZE CODE D 001
FINISH	SCALE	DRAWING NUMBER 000 721
		REV 03



THIS DRAWING AND SPECIFICATIONS HEREIN, ARE THE PROPERTY OF DATA GENERAL CORPORATION AND SHALL NOT BE REPRODUCED OR COPIED OR USED IN WHOLE OR IN PART AS THE BASIS FOR MANUFACTURE OR SALE OF ITEMS WITHOUT WRITTEN PERMISSION.

REVISIONS			
REV	DESCRIPTION	DRFTG	APP BY DATE



NOTE:  
1. C<sub>1</sub> R<sub>1</sub> MAY BE VARIED AT TEST LEVEL.  
2. FOR STACK VENDOR USE ONLY.

NOTE: ALL CAPACITORS ARE IN MICROFARADS, AND ALL RESISTORS ARE IN OHMS, 1/4 WATT, WITH 5% TOLERANCE UNLESS OTHERWISE SPECIFIED.

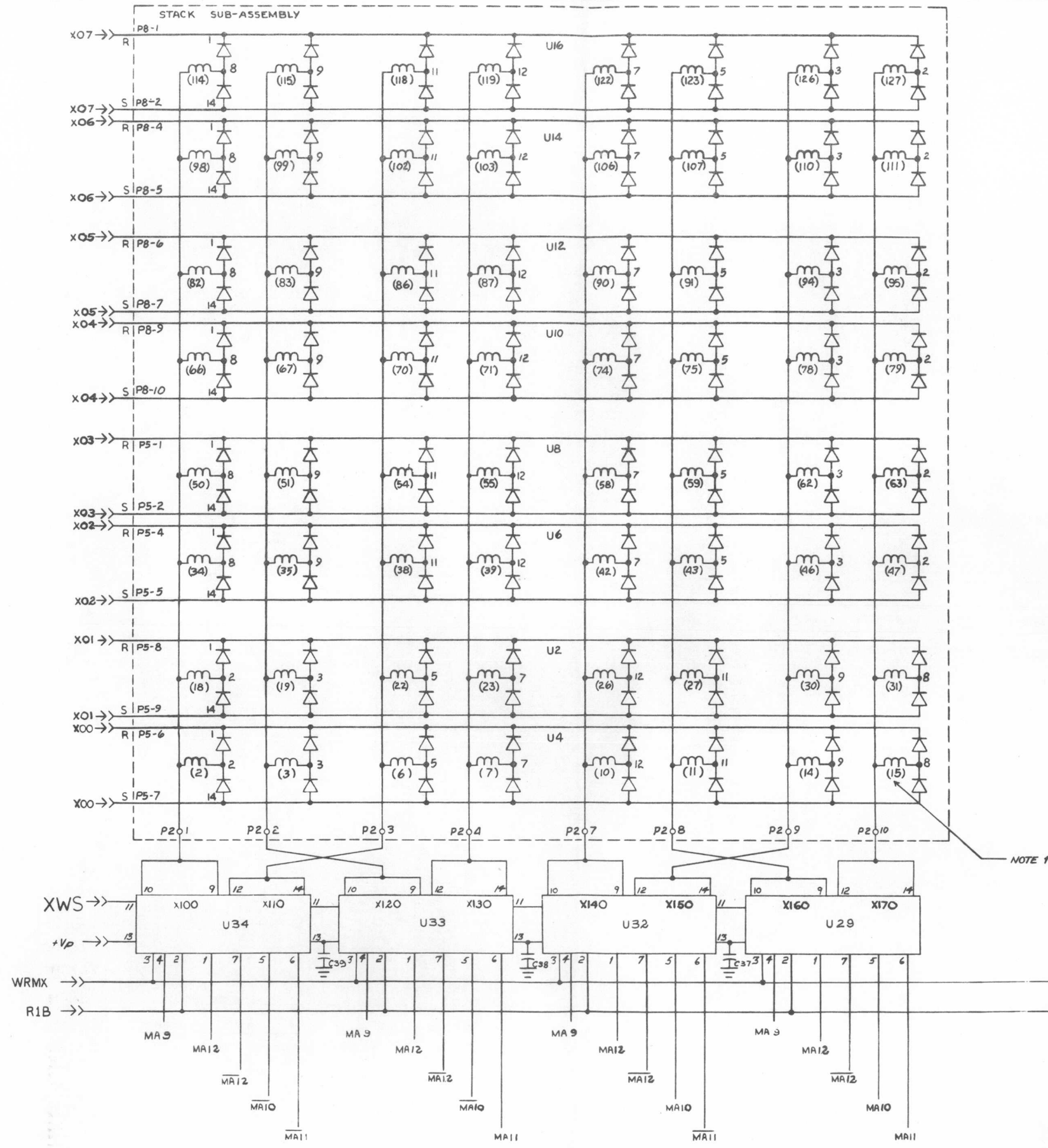
QTY	DESCRIPTION	PART NO.

UNLESS OTHERWISE SPECIFIED— DIMENSIONS ARE IN INCHES. TOLERANCES ON FRACTIONS DECIMALS ANGLES = .005 .010 .015 PARTS TO BE FREE FROM BURRS BREAK ALL EDGES .010	DRAWN: JET JOHNSON CHECKED: [Signature] ENGINEER: [Signature] APPROVED: [Signature]	<b>DATA GENERAL CORPORATION</b> SOUTHBORO, MASSACHUSETTS 01772 TITLE <b>16K MEMORY X DRIVERS</b>
UNLESS OTHERWISE SPECIFIED— ALL MACH. SURFACES	FIRST USED ON 107-000438-02 SCALE: D 001	
MATERIAL		DRAWING NUMBER: 000 721
FINISH		REV: 03

THIS DRAWING AND SPECIFICATIONS, HEREIN, ARE THE PROPERTY OF DATA GENERAL CORPORATION AND SHALL NOT BE REPRODUCED OR COPIED OR USED IN WHOLE OR IN PART AS THE BASIS FOR MANUFACTURE OR SALE OF ITEMS WITHOUT WRITTEN PERMISSION.

REVISIONS				
REV	DESCRIPTION	DRFTG	APP BY	DATE

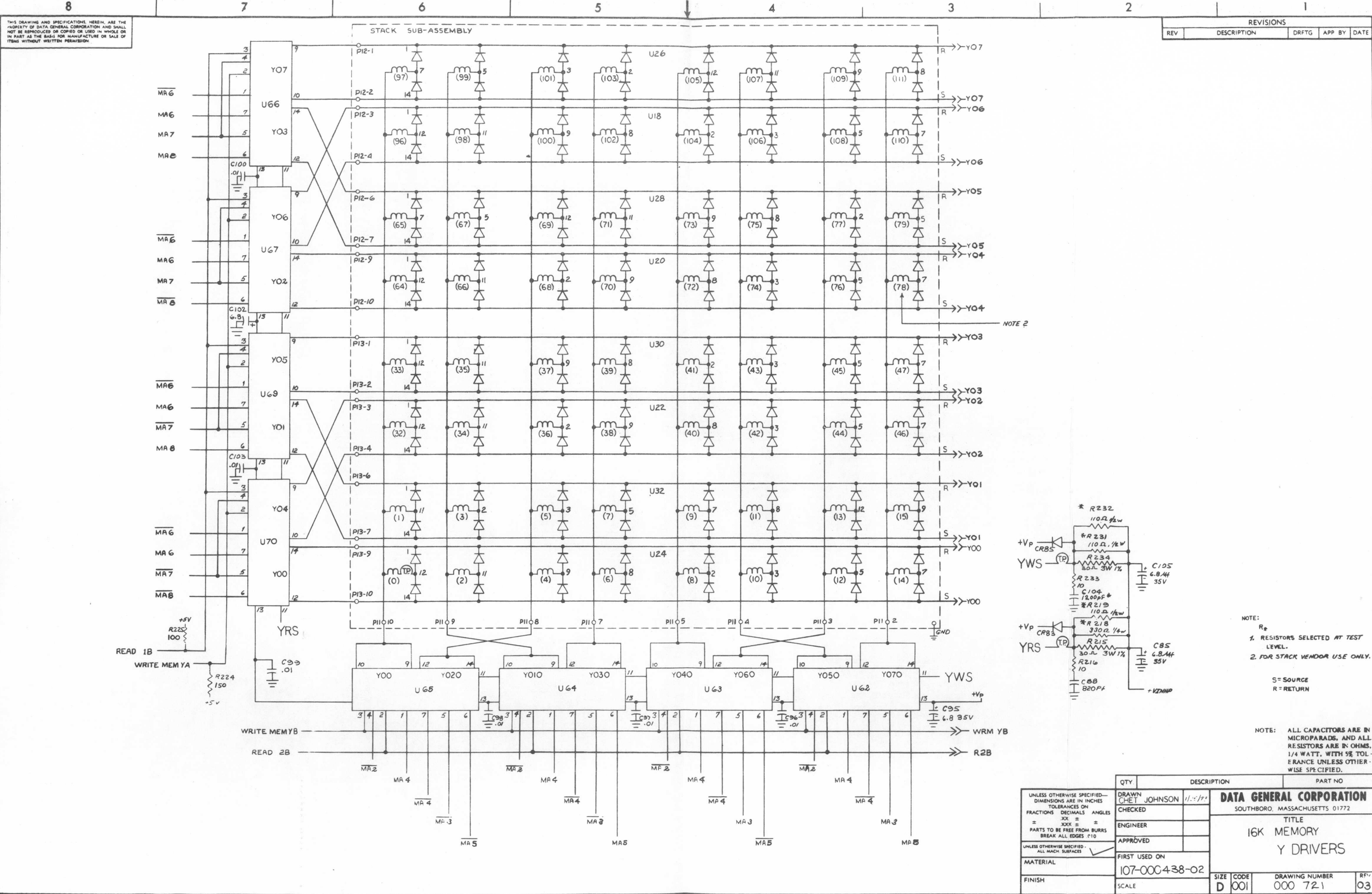


NOTE 1

NOTE:-  
1. FOR STACK VENDOR USE ONLY.

NOTE: ALL CAPACITORS ARE IN MICROFARADS, AND ALL RESISTORS ARE IN OHMS. 1/4 WATT, WITH 5% TOLERANCE UNLESS OTHERWISE SPECIFIED.

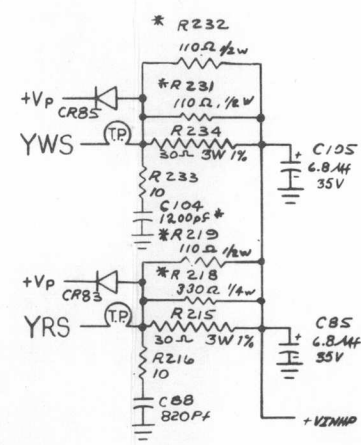
UNLESS OTHERWISE SPECIFIED— DIMENSIONS ARE IN INCHES TOLERANCES ON FRACTIONS DECIMALS ANGLES ± .005 ± .010 ± .015 PARTS TO BE FREE FROM BURRS BREAK ALL EDGES .010	DRAWN CHET JOHNSON 11/15/72	CHECKED	ENGINEER	APPROVED	FIRST USED ON	107-000438-02	SCALE	QTY.	DESCRIPTION	PART NO.
DATA GENERAL CORPORATION SOUTHBORO, MASSACHUSETTS 01772			TITLE 16K MEMORY X DRIVERS			SIZE D	CODE 001	DRAWING NUMBER 000 72.1	REV 03	



THIS DRAWING AND SPECIFICATIONS HEREIN, ARE THE PROPERTY OF DATA GENERAL CORPORATION AND SHALL NOT BE REPRODUCED OR COPIED OR USED IN WHOLE OR IN PART AS THE BASIS FOR MANUFACTURE OR SALE OF ITEMS WITHOUT WRITTEN PERMISSION.

REVISIONS				
REV	DESCRIPTION	DRFTG	APP BY	DATE

NOTE 2



NOTE:  
 R<sub>1</sub>  
 1. RESISTORS SELECTED AT TEST LEVEL.  
 2. FOR STACK VENDOR USE ONLY.  
 S=SOURCE  
 R=RETURN

NOTE: ALL CAPACITORS ARE IN MICROPARADS, AND ALL RESISTORS ARE IN OHMS, 1/4 WATT, WITH 5% TOLERANCE UNLESS OTHERWISE SPECIFIED.

QTY	DESCRIPTION	PART NO

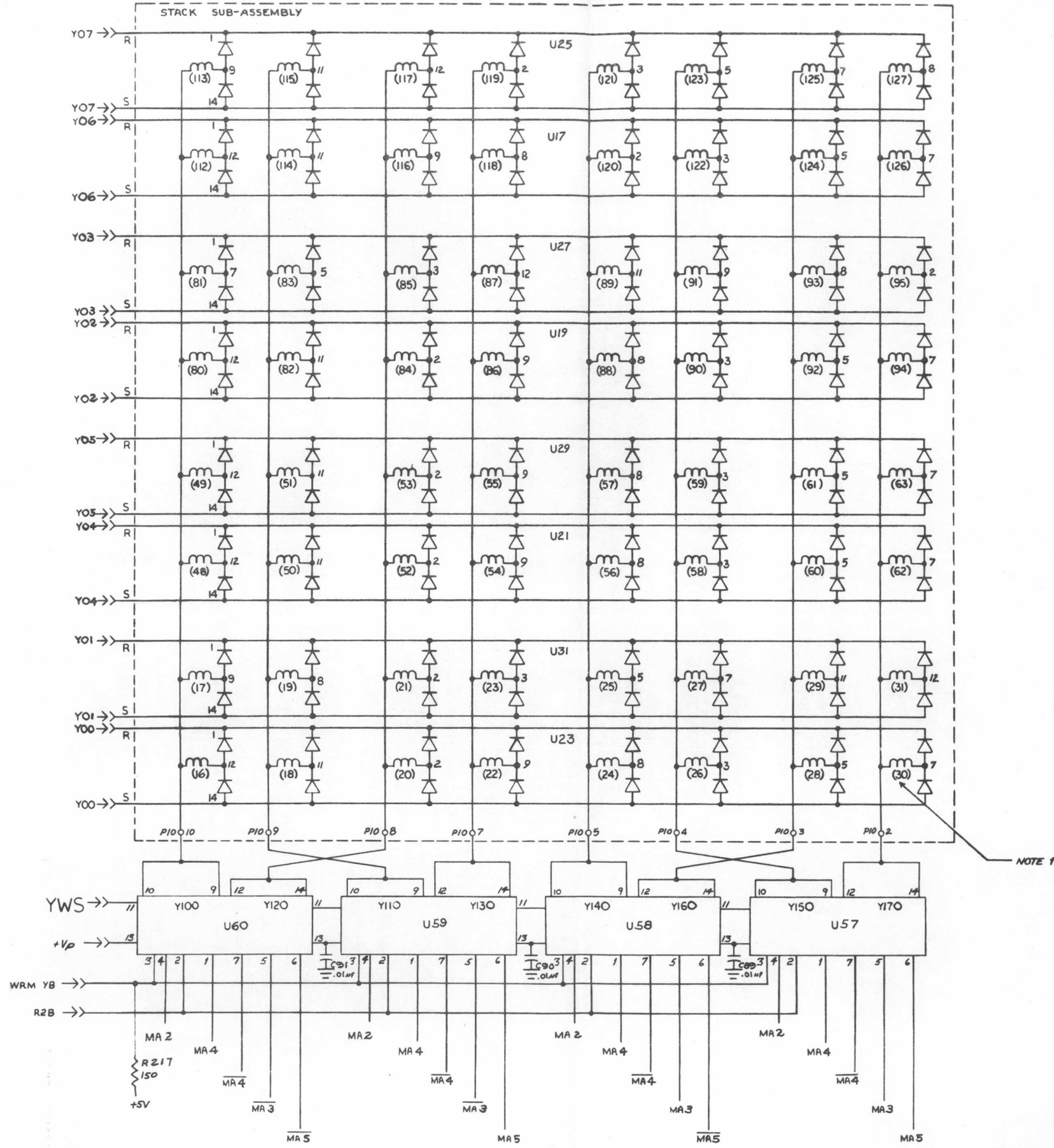
  

UNLESS OTHERWISE SPECIFIED— DIMENSIONS ARE IN INCHES TOLERANCES ON FRACTIONS DECIMALS ANGLES = XX ± = PARTS TO BE FREE FROM BURRS BREAK ALL EDGES C10		DRAWN CHET JOHNSON 11/2/72 CHECKED ENGINEER APPROVED FIRST USED ON MATERIAL FINISH	<b>DATA GENERAL CORPORATION</b> SOUTHBORO, MASSACHUSETTS 01772 TITLE 16K MEMORY Y DRIVERS SIZE CODE D 001 DRAWING NUMBER 000 721 REV. 03
---	--	---	--



THIS DRAWING AND SPECIFICATIONS, HEREIN, ARE THE PROPERTY OF DATA GENERAL CORPORATION AND SHALL NOT BE REPRODUCED OR COPIED OR USED IN WHOLE OR IN PART AS THE BASIS FOR MANUFACTURE OR SALE OF ITEMS WITHOUT WRITTEN PERMISSION.

REVISIONS				
REV	DESCRIPTION	DRTG	APP BY	DATE



NOTE 1

NOTE:  
1. FOR STACK VENDOR USE ONLY.

NOTE: ALL CAPACITORS ARE IN MICROFARADS, AND ALL RESISTORS ARE IN OHMS. 1/4 WATT, WITH 5% TOLERANCE UNLESS OTHERWISE SPECIFIED.

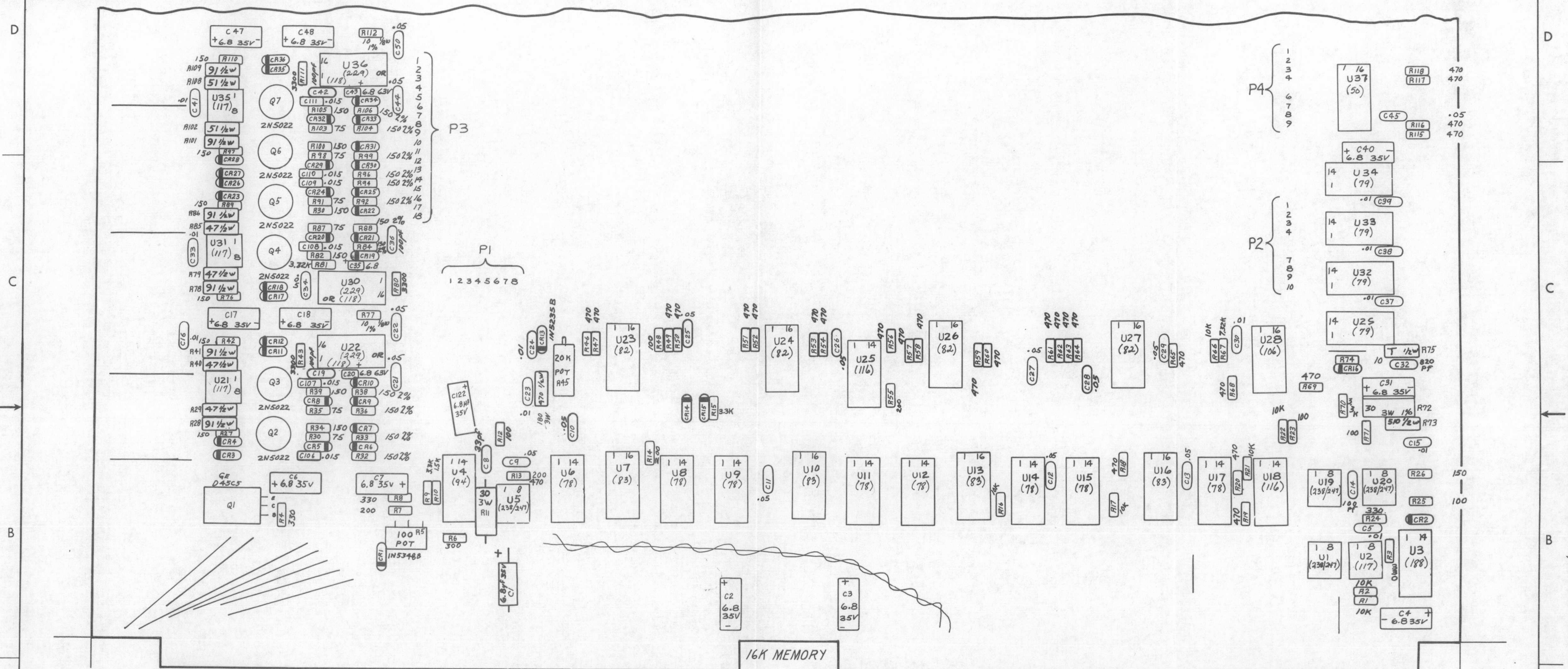
QTY.	DESCRIPTION	PART NO.

DRAWN CHET JOHNSON 1/25/73		<b>DATA GENERAL CORPORATION</b> SOUTHBORO, MASSACHUSETTS 01772	
CHECKED			
ENGINEER		TITLE <b>16K MEMORY Y DRIVERS</b>	
APPROVED			
FIRST USED ON		DRAWING NUMBER 000 721	
107-000438-02		REV 03	
SIZE D	CODE 001	DRAWING NUMBER 000 721	REV 03
FINISH	SCALE		

THIS DRAWING AND SPECIFICATIONS, HEREIN, ARE THE PROPERTY OF DATA GENERAL CORPORATION AND SHALL NOT BE REPRODUCED OR COPIED OR USED IN WHOLE OR IN PART AS THE BASIS FOR MANUFACTURE OR SALE OF ITEMS WITHOUT WRITTEN PERMISSION.

003-000185-14  
107-000185-06

REVISIONS				
REV	DESCRIPTION	DRFTG	APP BY	DATE



UNLESS OTHERWISE INDICATED  
RESISTORS ARE 1/4W  
DIODES ARE CDS114B  
2% RESISTORS ARE 1/10 WATT

16K MEMORY  
003-000185-10

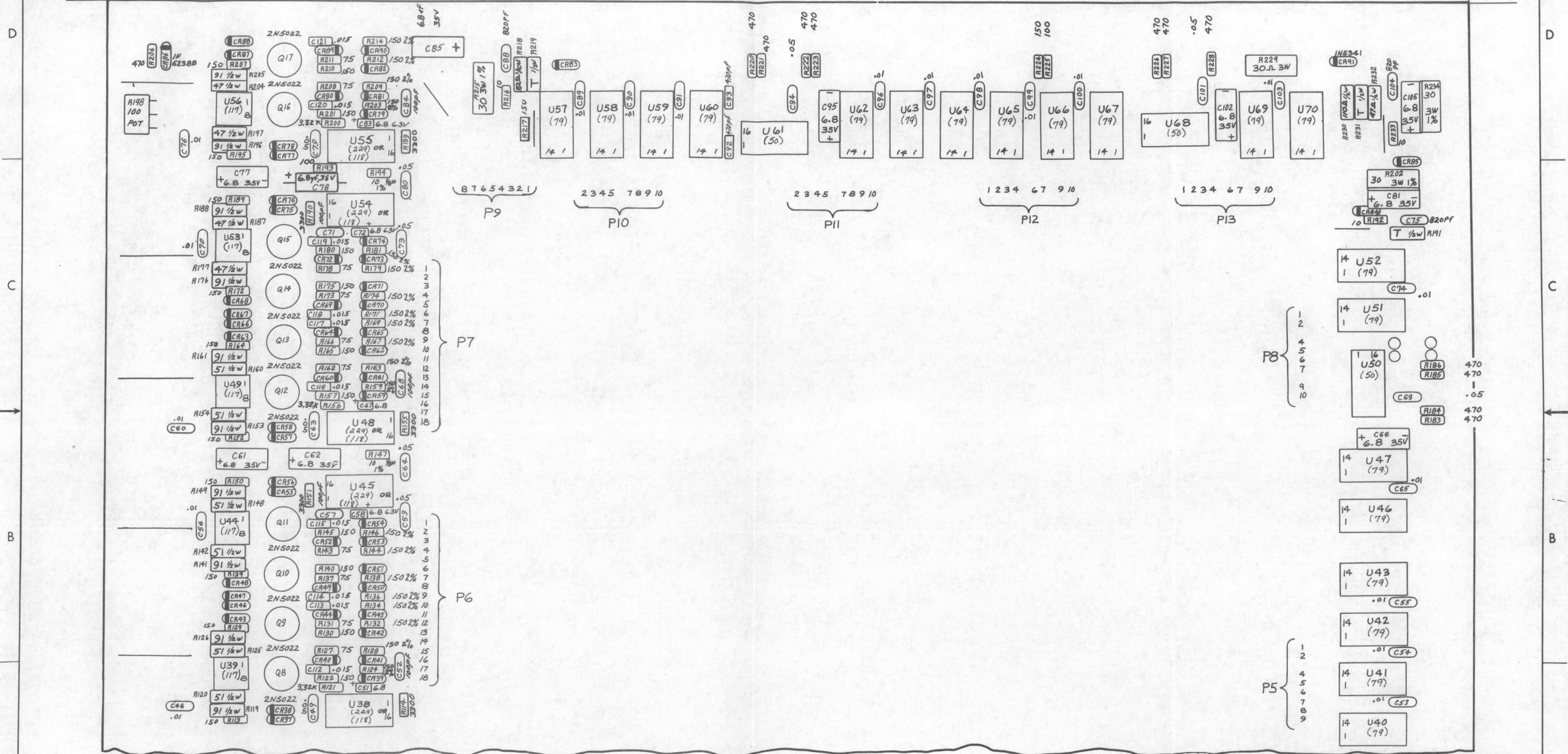
UNLESS OTHERWISE SPECIFIED— DIMENSIONS ARE IN INCHES TOLERANCES ON FRACTIONS DECIMALS ANGLES = .XXX = ° = PARTS TO BE FREE FROM BURRS BREAK ALL EDGES 010		QTY	DESCRIPTION	PART NO
DRAWN	T. P.	6-3-74	<b>DATA GENERAL CORPORATION</b> SOUTHBORO, MASSACHUSETTS 01772	
CHECKED			TITLE <b>UNIVERSAL MEMORY</b>	
ENGINEER			16K	
APPROVED	J.D.S.	6-4-74	1200,1210,1220	
FIRST USED ON		8117	DRAWING NUMBER	
MATERIAL		005-001383	SCALE	REV
FINISH			D 016	000124 00



THIS DRAWING AND SPECIFICATIONS, HEREIN, ARE THE PROPERTY OF DATA GENERAL CORPORATION AND SHALL NOT BE REPRODUCED OR COPIED OR USED IN WHOLE OR IN PART AS THE BASIS FOR MANUFACTURE OR SALE OF ITEMS WITHOUT WRITTEN PERMISSION.

003-000185-14  
107-000185-06

REVISIONS				
REV	DESCRIPTION	DRFTG	APP BY	DATE



QTY	DESCRIPTION	PART NO

UNLESS OTHERWISE SPECIFIED— DIMENSIONS ARE IN INCHES TOLERANCES ON FRACTIONS DECIMALS ANGLES XX = XXX = PARTS TO BE FREE FROM BURRS BREAK ALL EDGES 010	DRAWN T.P. 6-4-74 CHECKED ENGINEER APPROVED J.D.S. 6-4-74 FIRST USED ON 11-7 005-001383	<b>DATA GENERAL CORPORATION</b> SOUTHBORO, MASSACHUSETTS 01772  TITLE <b>UNIVERSAL MEMORY 16K</b> 1200,1210,1220,1230
UNLESS OTHERWISE SPECIFIED— ALL MACH SURFACES	MATERIAL FINISH	SCALE D 016 DRAWING NUMBER 000124 REV 00