

| REVISIONS | | | |
|-----------|-------------|-------|----------|
| REV. | DESCRIPTION | DRFTG | APP. BY |
| 00 | ECO# 2990 | 285 | 11/17/75 |
| 01 | | | 11/17/75 |
| 02 | | | 11/17/75 |

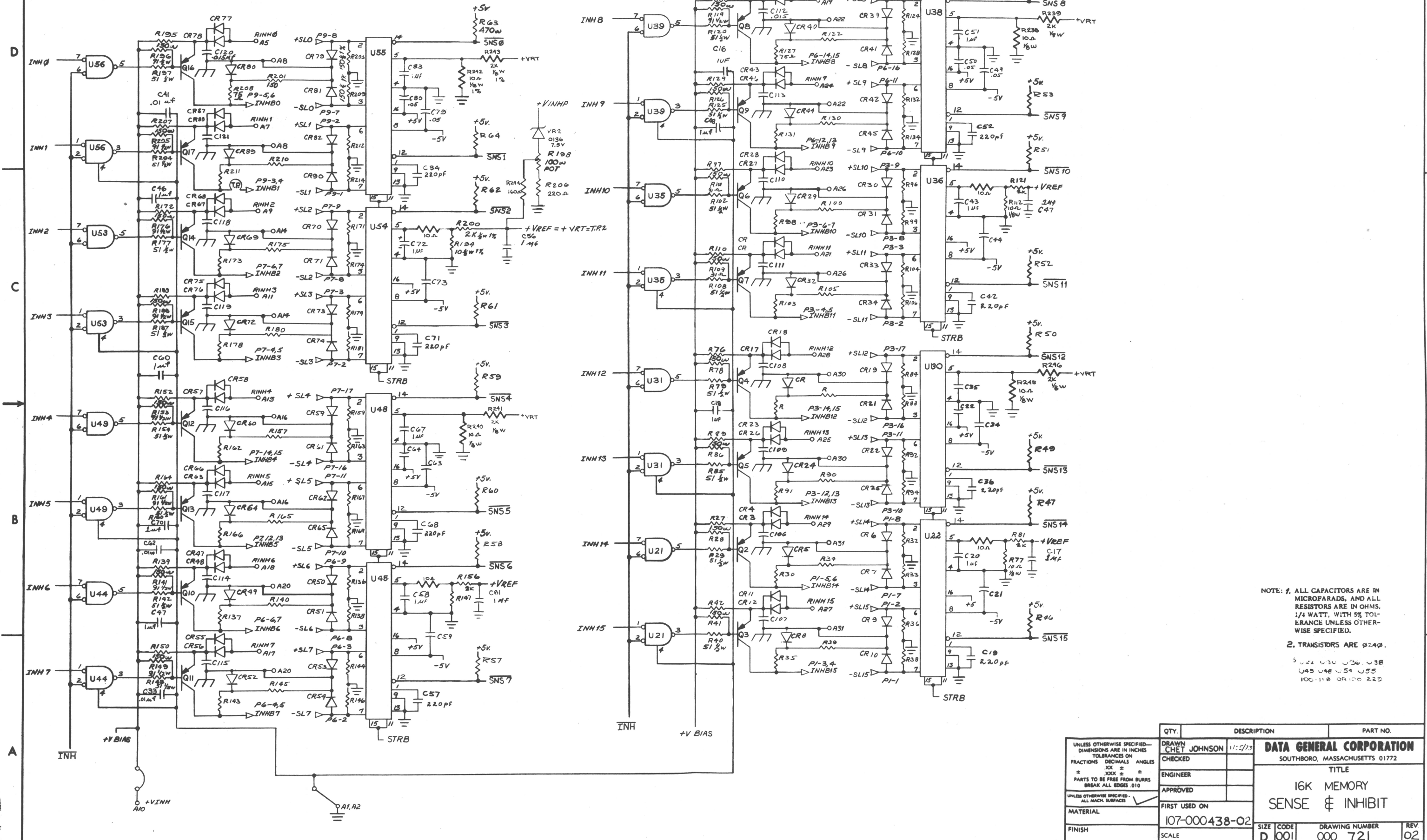
NOTE: ALL CAPACITORS ARE IN MICROFARADS, AND ALL RESISTORS ARE IN OHMS, 1/4 WATT, WITH 5% TOLERANCE UNLESS OTHERWISE SPECIFIED.

| | | | | |
|----------------------|---|---------------|---------------|----------|
| ARTWORK: 107000438 | UNLESS OTHERWISE SPECIFIED—DIMENSIONS ARE IN INCHES | QTY. | DESCRIPTION | PART NO. |
| ARTWORK VS SCHEMATIC | TOLERANCES ON FRACTIONS DECIMALS ANGLES | DRAWN | CHET JOHNSON | 11/17/75 |
| REV SCHEMATIC REV(S) | 30K ± | CHECKED | | |
| 00 00 | 100 ± | ENGINEER | | |
| | 0.05 25, 29 | APPROVED | | |
| | 4% | FIRST USED ON | 8117 | |
| | | | 107-000438-02 | |
| | | MATERIAL | | |
| | | FINISH | | |
| | | SCALE | D 001 | |
| | | | 000 721 | |
| | | | | 02 |

DATA GENERAL CORPORATION
SOUTHBORO, MASSACHUSETTS 01772
TITLE
16K MEMORY
MA & MB REGISTER & CONTROL

THIS DRAWING AND SPECIFICATIONS HEREIN, ARE THE PROPERTY OF DATA GENERAL CORPORATION AND SHALL NOT BE REPRODUCED OR COPIED OR USED IN WHOLE OR IN PART AS THE BASIS FOR MANUFACTURE OR SALE OF ITEMS WITHOUT WRITTEN PERMISSION.

| REVISIONS | | | |
|-----------|-------------|-------|--------|
| REV | DESCRIPTION | DRFTG | APP BY |
| | | | |



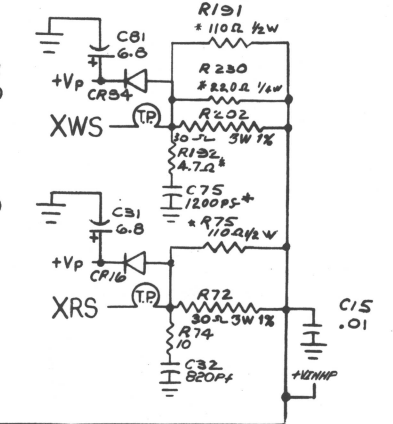
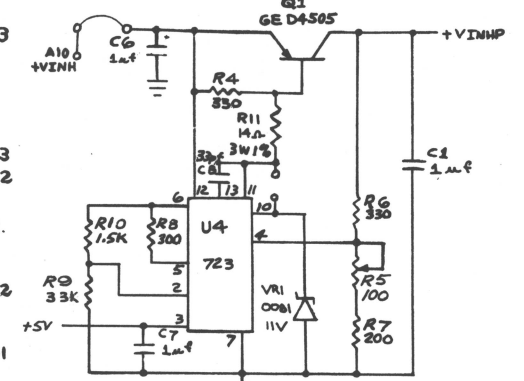
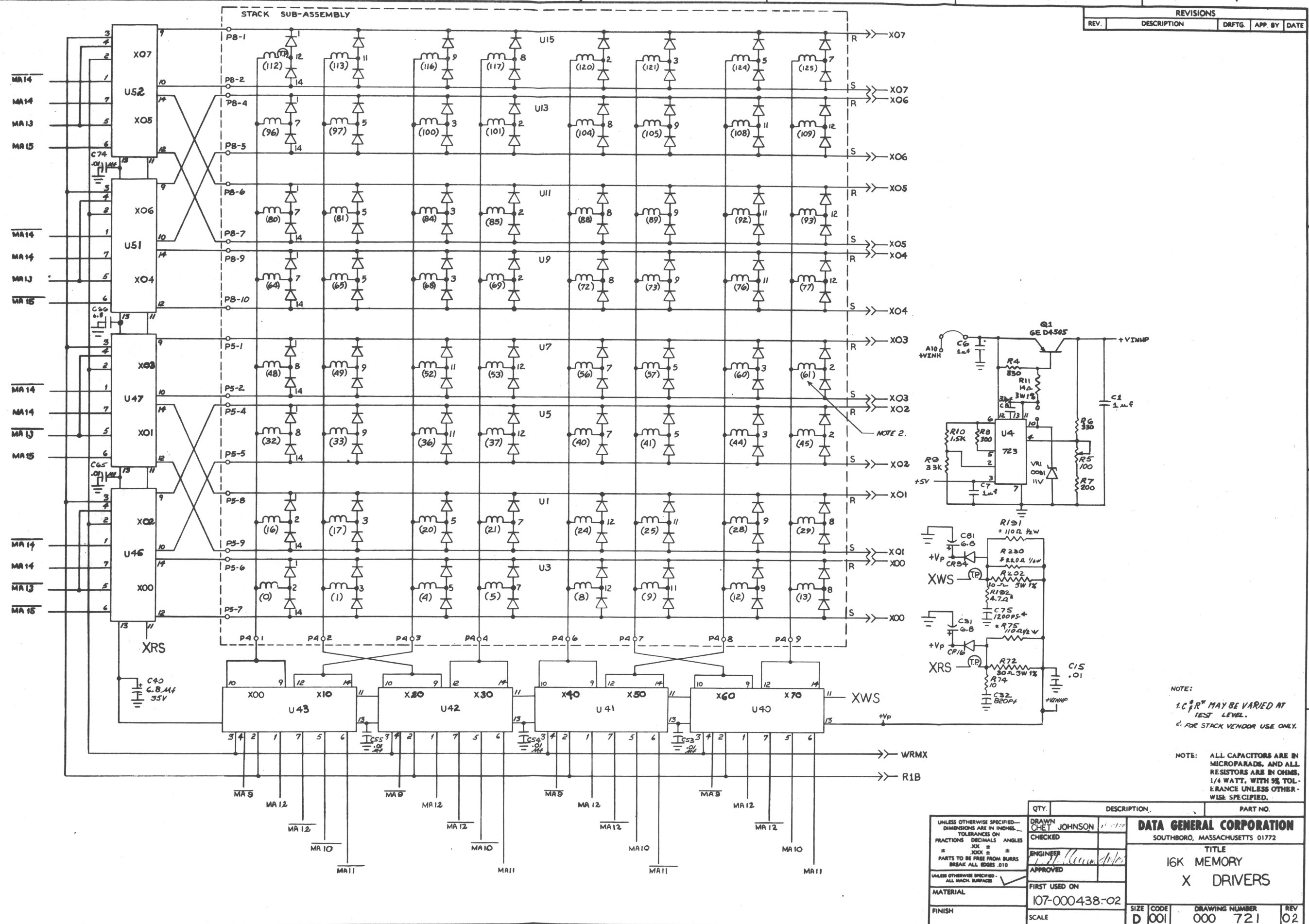
NOTE: 1. ALL CAPACITORS ARE IN MICROFARADS, AND ALL RESISTORS ARE IN OHMS, 1/4 WATT, WITH 5% TOLERANCE UNLESS OTHERWISE SPECIFIED.
 2. TRANSISTORS ARE 9249.
 U21 U31 U38 U39
 U48 U49 U53 U54 U55
 100-118 OR 100-223

| QTY. | DESCRIPTION | PART NO. |
|------|-------------|----------|
| | | |

| | | |
|--|----------------------------------|---|
| UNLESS OTHERWISE SPECIFIED— DIMENSIONS ARE IN INCHES FRACTIONS DECIMALS ANGLES X.XX ± .005 X.X ± .010 PARTS TO BE FREE FROM BURRS BREAK ALL EDGES .010 | DRAWN CHET JOHNSON 11/2/73 | DATA GENERAL CORPORATION SOUTHBORO, MASSACHUSETTS 01772 |
| ENGINEER | APPROVED | TITLE |
| MATERIAL | FIRST USED ON | 16K MEMORY SENSE & INHIBIT |
| FINISH | SCALE | 107-000438-02 |
| | | SIZE CODE D 001 |
| | | DRAWING NUMBER 000 721 |
| | | REV 02 |

THIS DRAWING AND SPECIFICATIONS HERIN, ARE THE PROPERTY OF DATA GENERAL CORPORATION AND SHALL NOT BE REPRODUCED OR USED IN WHOLE OR IN PART AS THE BASIS FOR MANUFACTURE OR SALE OF ITEMS WITHOUT WRITTEN PERMISSION.

| REVISIONS | | | | |
|-----------|-------------|--------|---------|------|
| REV. | DESCRIPTION | DRFTG. | APP. BY | DATE |
| | | | | |



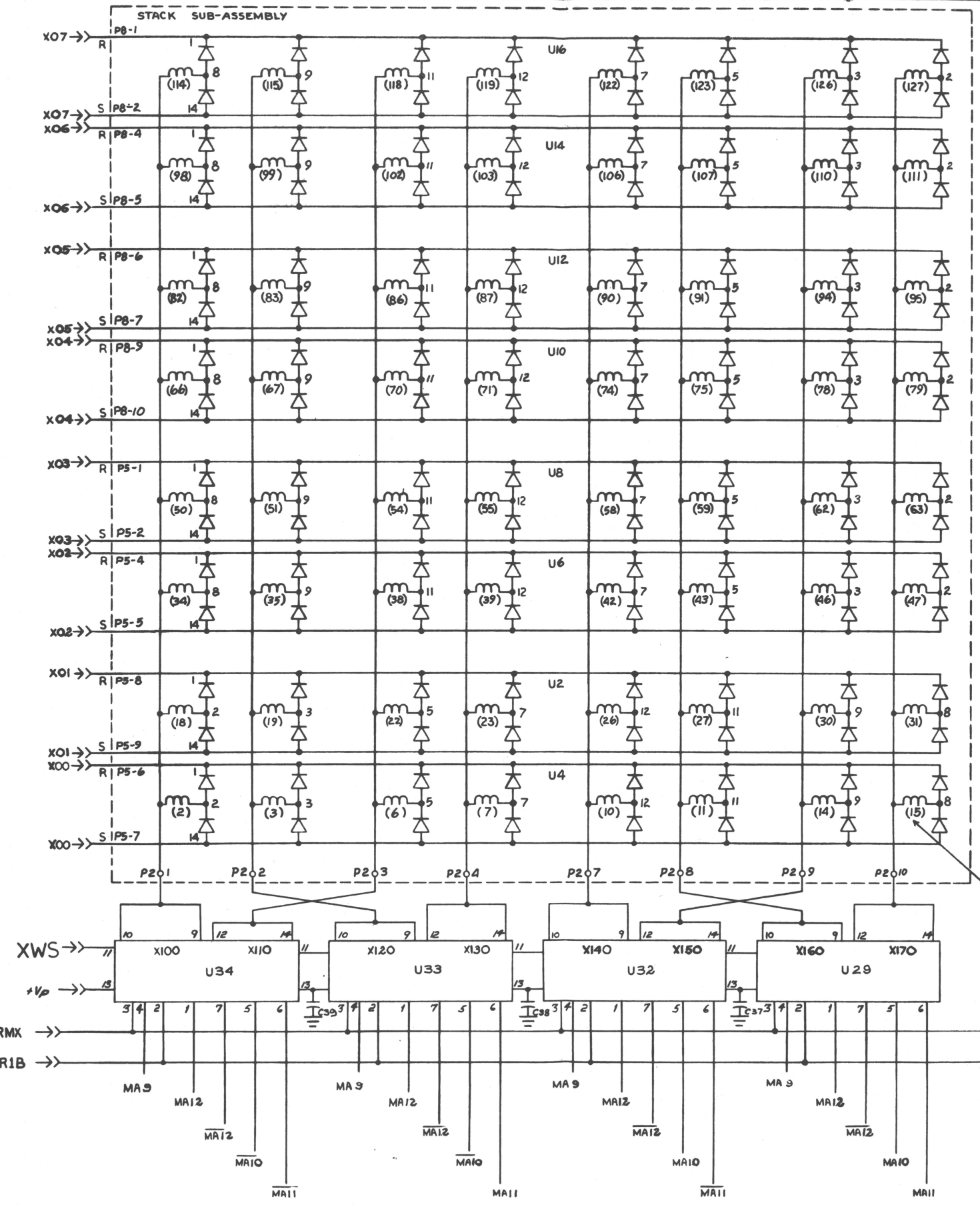
NOTE:
 1. C₁ R₇ MAY BE VARIED AT TEST LEVEL.
 2. FOR STACK VENDOR USE ONLY.

NOTE: ALL CAPACITORS ARE IN MICROPARADS, AND ALL RESISTORS ARE IN OHMS, 1/4 WATT, WITH 5% TOLERANCE UNLESS OTHERWISE SPECIFIED.

| | | | | |
|---|---------------|-------------|--------------------------------|------|
| UNLESS OTHERWISE SPECIFIED—DIMENSIONS ARE IN INCHES—TOLERANCES ON FRACTIONS DECIMALS ANGLES JOOK ± PARTS TO BE FREE FROM BURRS BREAK ALL EDGES .010 | QTY. | DESCRIPTION | PART NO. | |
| | CHECKED | | DATA GENERAL CORPORATION | |
| | | | SOUTHBORO, MASSACHUSETTS 01772 | |
| | ENGINEER | | TITLE | |
| APPROVED | | 16K MEMORY | | |
| | | X DRIVERS | | |
| | FIRST USED ON | | DRAWING NUMBER | REV. |
| MATERIAL | 107-000438-02 | | 000 721 | 02 |
| FINISH | SCALE | SIZE | CODE | |
| | | D 001 | | |

THIS DRAWING AND SPECIFICATIONS HEREON ARE THE PROPERTY OF DATA GENERAL CORPORATION AND SHALL NOT BE REPRODUCED OR COPIED OR USED IN WHOLE OR IN PART AS THE BASIS FOR MANUFACTURE OR SALE OF ITEMS WITHOUT WRITTEN PERMISSION.

| REVISIONS | | | |
|-----------|-------------|--------|--------------|
| REV. | DESCRIPTION | DRFTG. | APP. BY DATE |
| | | | |



NOTE 1

NOTE 1 FOR STACK VENDOR USE ONLY.

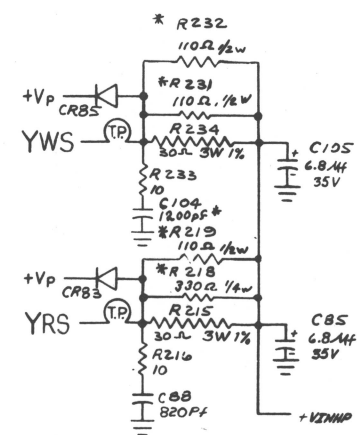
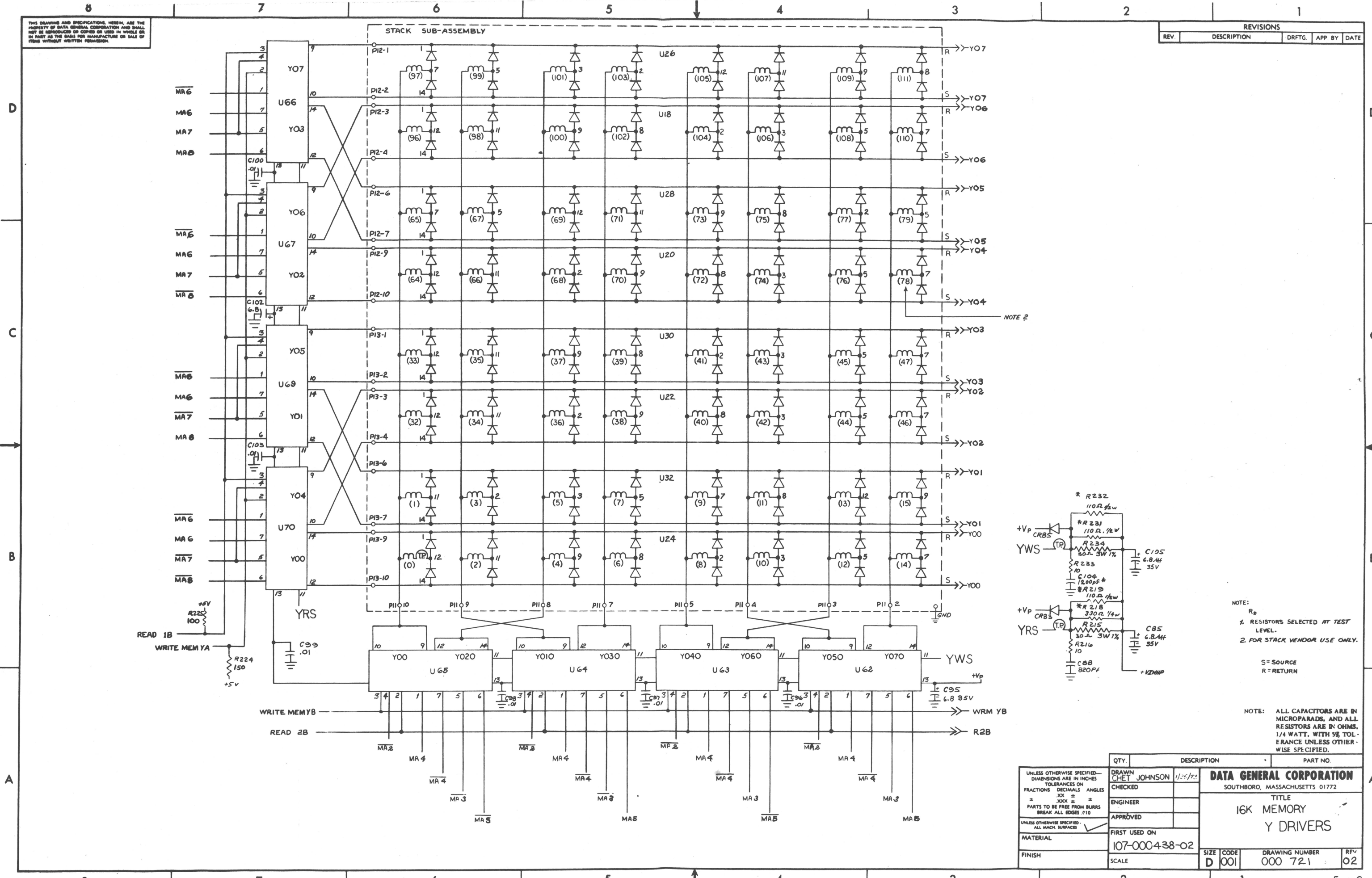
NOTE: ALL CAPACITORS ARE IN MICROFARADS, AND ALL RESISTORS ARE IN OHMS. 1/4 WATT, WITH 5% TOLERANCE UNLESS OTHERWISE SPECIFIED.

| QTY. | DESCRIPTION | PART NO. |
|------|-------------|----------|
| | | |

| | | | |
|--------------------------------|------|--------------------------|-----|
| DRAWN CHET JOHNSON 1/25/72 | | DATA GENERAL CORPORATION | |
| SOUTHBORO, MASSACHUSETTS 01772 | | | |
| TITLE | | | |
| 16K MEMORY | | | |
| X DRIVERS | | | |
| APPROVED | | | |
| FIRST USED ON | | | |
| 107-000438-02 | | | |
| SIZE | CODE | DRAWING NUMBER | REV |
| D | 001 | 000 721 | 02 |

THIS DRAWING AND SPECIFICATIONS HEREIN ARE THE PROPERTY OF DATA GENERAL CORPORATION AND SHALL NOT BE REPRODUCED OR COPIED OR USED IN WHOLE OR IN PART AS THE BASIS FOR MANUFACTURE OR SALE OF ITEMS WITHOUT WRITTEN PERMISSION.

| REVISIONS | | | | |
|-----------|-------------|--------|--------|------|
| REV. | DESCRIPTION | DRFTG. | APP BY | DATE |
| | | | | |

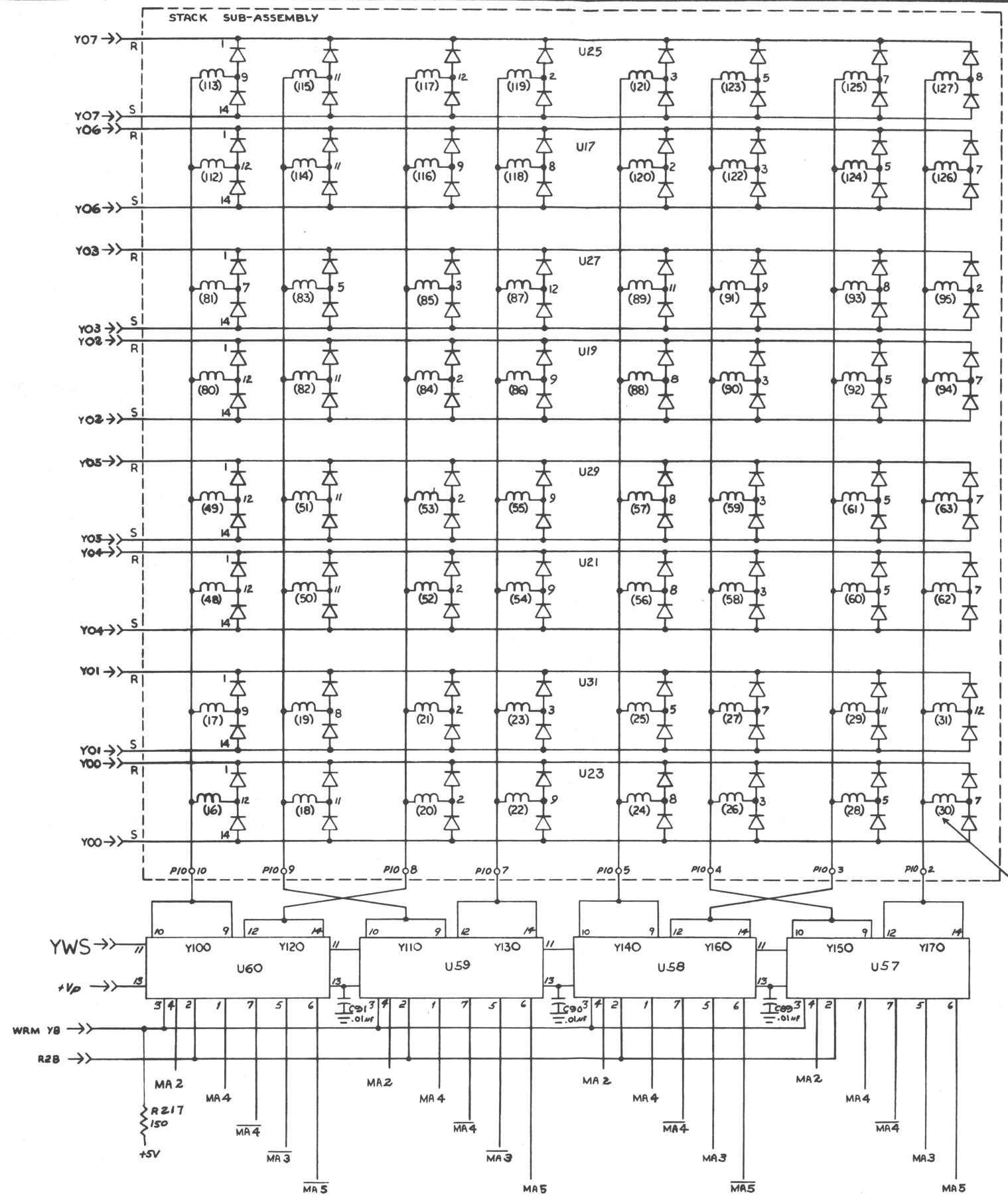


| QTY. | DESCRIPTION | PART NO. |
|------|-------------|----------|
| | | |

| | | |
|--|----------------------------------|---|
| UNLESS OTHERWISE SPECIFIED— DIMENSIONS ARE IN INCHES TOLERANCES ON FRACTIONS DECIMALS ANGLES XX ± XXX ± PARTS TO BE FREE FROM BURRS BREAK ALL EDGES .10 | DRAWN CHET JOHNSON 1/25/72 | DATA GENERAL CORPORATION SOUTHBORO, MASSACHUSETTS 01772 |
| UNLESS OTHERWISE SPECIFIED— ALL MACH. SURFACES | ENGINEER APPROVED | TITLE 16K MEMORY Y DRIVERS |
| MATERIAL | FIRST USED ON 107-000-438-02 | DRAWING NUMBER 000 721 |
| FINISH | SCALE | REV 02 |

SEE DRAWING AND DIMENSIONS. CHECK ALL THE DIMENSIONS OF EACH COMPONENT AND MAKE SURE THAT THE PARTS ARE MANUFACTURED TO THE SPECIFICATIONS OF THE DRAWING. ALL DIMENSIONS ARE IN INCHES UNLESS OTHERWISE SPECIFIED.

| REVISIONS | | | | |
|-----------|-------------|--------|---------|------|
| REV. | DESCRIPTION | DRFTG. | APP. BY | DATE |
| | | | | |



NOTE 1

NOTE:
1. FOR STACK VENDOR USE ONLY.

NOTE: ALL CAPACITORS ARE IN MICROFARADS, AND ALL RESISTORS ARE IN OHMS, 1/4 WATT, WITH 5% TOLERANCE UNLESS OTHERWISE SPECIFIED.

| | | | |
|--|----------------|-------------|----------------|
| UNLESS OTHERWISE SPECIFIED— DIMENSIONS ARE IN INCHES TOLERANCES ON FRACTIONS DECIMALS ANGLES ± .005 ± .010 ± .015 PARTS TO BE FREE FROM BURRS BREAK ALL EDGES .010 | QTY. | DESCRIPTION | PART NO. |
| DRAWN CHET JOHNSON 1/25/73 | | | |
| CHECKED | | | |
| ENGINEER | | | |
| APPROVED | | | |
| UNLESS OTHERWISE SPECIFIED— ALL MACH. SURFACES | FIRST USED ON | | |
| MATERIAL | 107-0004-38-02 | | |
| FINISH | SCALE | SIZE CODE | DRAWING NUMBER |
| | | D 001 | 000 721 |
| | | | REV |
| | | | 02 |

DATA GENERAL CORPORATION
SOUTHBORO, MASSACHUSETTS 01772
TITLE
**16K MEMORY
Y DRIVERS**