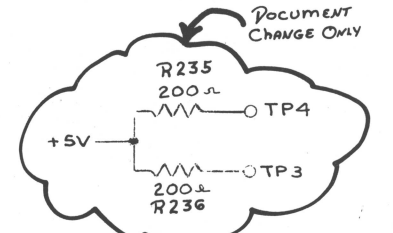
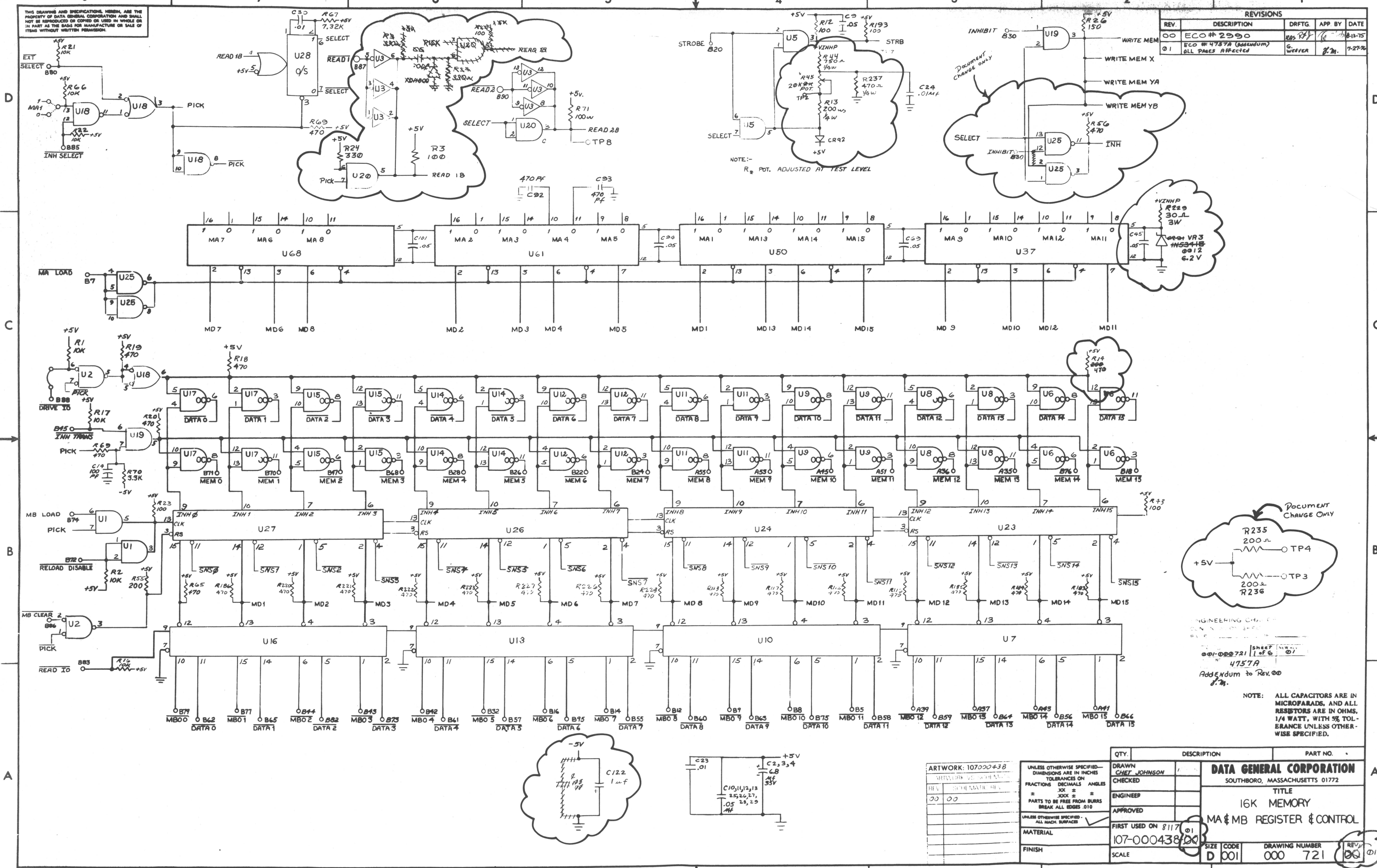


THIS DRAWING AND SPECIFICATIONS, HEREIN, ARE THE PROPERTY OF DATA GENERAL CORPORATION AND SHALL NOT BE REPRODUCED OR COPIED OR USED IN WHOLE OR IN PART AS THE BASIS FOR MANUFACTURE OR SALE OF ITEMS WITHOUT WRITTEN PERMISSION.

REVISIONS				
REV.	DESCRIPTION	DRFTG	APP BY	DATE
00	ECO # 2990	RB	JM	7-13-75
01	ECO # 4757A (Addendum)	G	WEINER	7-27-75



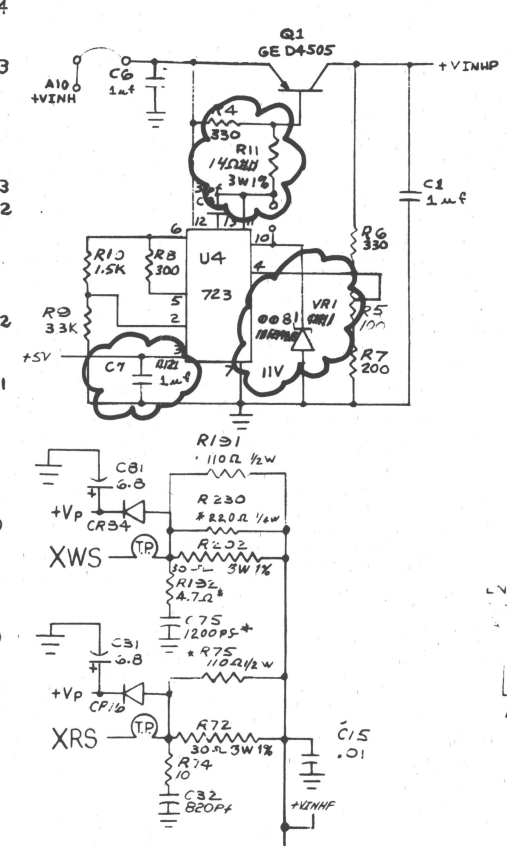
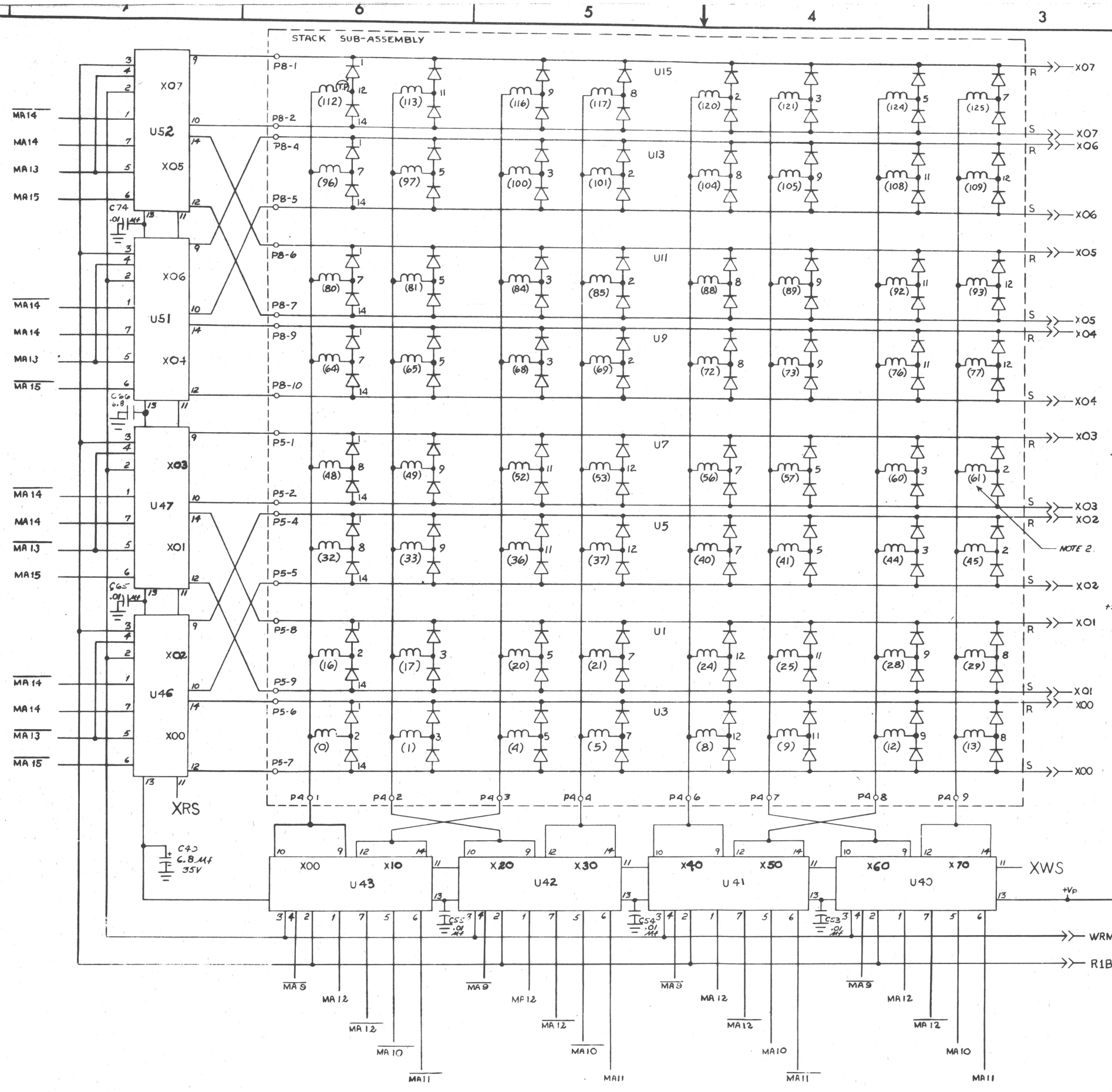
ENGINEERING CHG. ONLY
 001-000721 1 of 6
 4757A
 Addendum to Rev. 00
 J.M.

NOTE: ALL CAPACITORS ARE IN MICROFARADS, AND ALL RESISTORS ARE IN OHMS, 1/4 WATT, WITH 5% TOLERANCE UNLESS OTHERWISE SPECIFIED.

ARTWORK: 107000-38		QTY.		DESCRIPTION		PART NO.	
REV.	DATE						
00	00						
UNLESS OTHERWISE SPECIFIED—DIMENSIONS ARE IN INCHES TOLERANCES ON FRACTIONS DECIMALS ANGLES .XX ± .XXX ± PARTS TO BE FREE FROM BURRS BREAK ALL EDGES .010		DRAWN CHET JOHNSON		DATA GENERAL CORPORATION		SOUTHBORO, MASSACHUSETTS 01772	
UNLESS OTHERWISE SPECIFIED—MATERIAL FINISH		CHECKED		TITLE		16K MEMORY	
		ENGINEER		MA & MB REGISTER & CONTROL			
		APPROVED		FIRST USED ON 8117 01		DRAWING NUMBER	
				107-000438 00		000 721	
				SCALE		REV. 01	
				D 001		000 721	

THIS DRAWING AND SPECIFICATIONS, HEREIN, ARE THE PROPERTY OF DATA GENERAL CORPORATION AND SHALL NOT BE REPRODUCED OR COPIED OR USED IN WHOLE OR IN PART AS THE BASIS FOR MANUFACTURE OR SALE OF ITEMS WITHOUT WRITTEN PERMISSION

REVISIONS				
REV	DESCRIPTION	DRFTG	APP BY	DATE



ENG. N. J. JOHNSON
 001-000721-3-06 01
 4757A
 Addendum to Rev. 00
 2/7/68

NOTE:
 1. C₁ R₇ MAY BE VARIED AT TEST LEVEL.
 2. FOR STACK VENDOR USE ONLY.

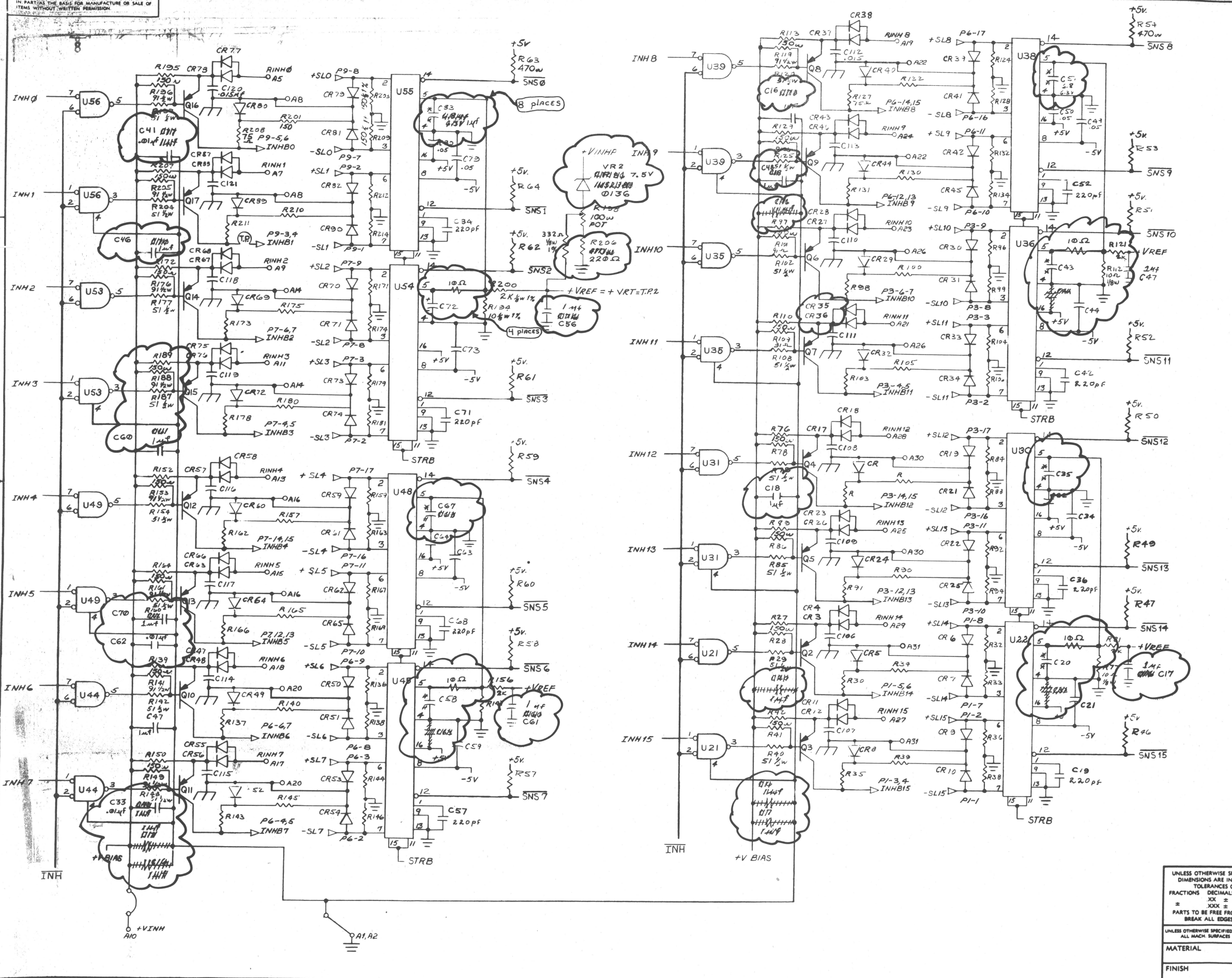
NOTE: ALL CAPACITORS ARE IN MICROFARADS, AND ALL RESISTORS ARE IN OHMS, 1/4 WATT, WITH 5% TOLERANCE UNLESS OTHERWISE SPECIFIED.

QTY	DESCRIPTION	PART NO.

UNLESS OTHERWISE SPECIFIED—DIMENSIONS ARE IN INCHES—TOLERANCES ON FRACTIONS DECIMALS ANGLES .XX .XXX .XXX ± .010 ± .010 ± .010 ± .010		DATA GENERAL CORPORATION SOUTHBORO, MASSACHUSETTS 01772 TITLE 16K MEMORY X DRIVERS	
DRAWN	CHEET JOHNSON		
ENGINEER			
APPROVED			
MATERIAL		FIRST USED ON 107-000438-00	
FINISH			
SCALE		SIZE CODE D 001	DRAWING NUMBER 000 721

THIS DRAWING AND SPECIFICATIONS HEREIN ARE THE PROPERTY OF DATA GENERAL CORPORATION AND SHALL NOT BE REPRODUCED OR COPIED OR USED IN WHOLE OR IN PART AS THE BASIS FOR MANUFACTURE OR SALE OF ITEMS WITHOUT WRITTEN PERMISSION.

REVISIONS			
REV	DESCRIPTION	DRFTG	APP BY DATE



NOTE: 1. ALL CAPACITORS ARE IN MICROFARADS, AND ALL RESISTORS ARE IN OHMS, 1/4 WATT, WITH 5% TOLERANCE UNLESS OTHERWISE SPECIFIED.
 2. TRANSISTORS ARE 2N4001 / 2N4002 / 2N4003 / 2N4004 / 2N4005 / 2N4006 / 2N4007 / 2N4008 / 2N4009 / 2N4010 / 2N4011 / 2N4012 / 2N4013 / 2N4014 / 2N4015 / 2N4016 / 2N4017 / 2N4018 / 2N4019 / 2N4020 / 2N4021 / 2N4022 / 2N4023 / 2N4024 / 2N4025 / 2N4026 / 2N4027 / 2N4028 / 2N4029 / 2N4030 / 2N4031 / 2N4032 / 2N4033 / 2N4034 / 2N4035 / 2N4036 / 2N4037 / 2N4038 / 2N4039 / 2N4040 / 2N4041 / 2N4042 / 2N4043 / 2N4044 / 2N4045 / 2N4046 / 2N4047 / 2N4048 / 2N4049 / 2N4050 / 2N4051 / 2N4052 / 2N4053 / 2N4054 / 2N4055 / 2N4056 / 2N4057 / 2N4058 / 2N4059 / 2N4060 / 2N4061 / 2N4062 / 2N4063 / 2N4064 / 2N4065 / 2N4066 / 2N4067 / 2N4068 / 2N4069 / 2N4070 / 2N4071 / 2N4072 / 2N4073 / 2N4074 / 2N4075 / 2N4076 / 2N4077 / 2N4078 / 2N4079 / 2N4080 / 2N4081 / 2N4082 / 2N4083 / 2N4084 / 2N4085 / 2N4086 / 2N4087 / 2N4088 / 2N4089 / 2N4090 / 2N4091 / 2N4092 / 2N4093 / 2N4094 / 2N4095 / 2N4096 / 2N4097 / 2N4098 / 2N4099 / 2N4100

NEE U
 001-000721 2 of 6
 4757A
 Addendum to Rev. 00
 J.M.

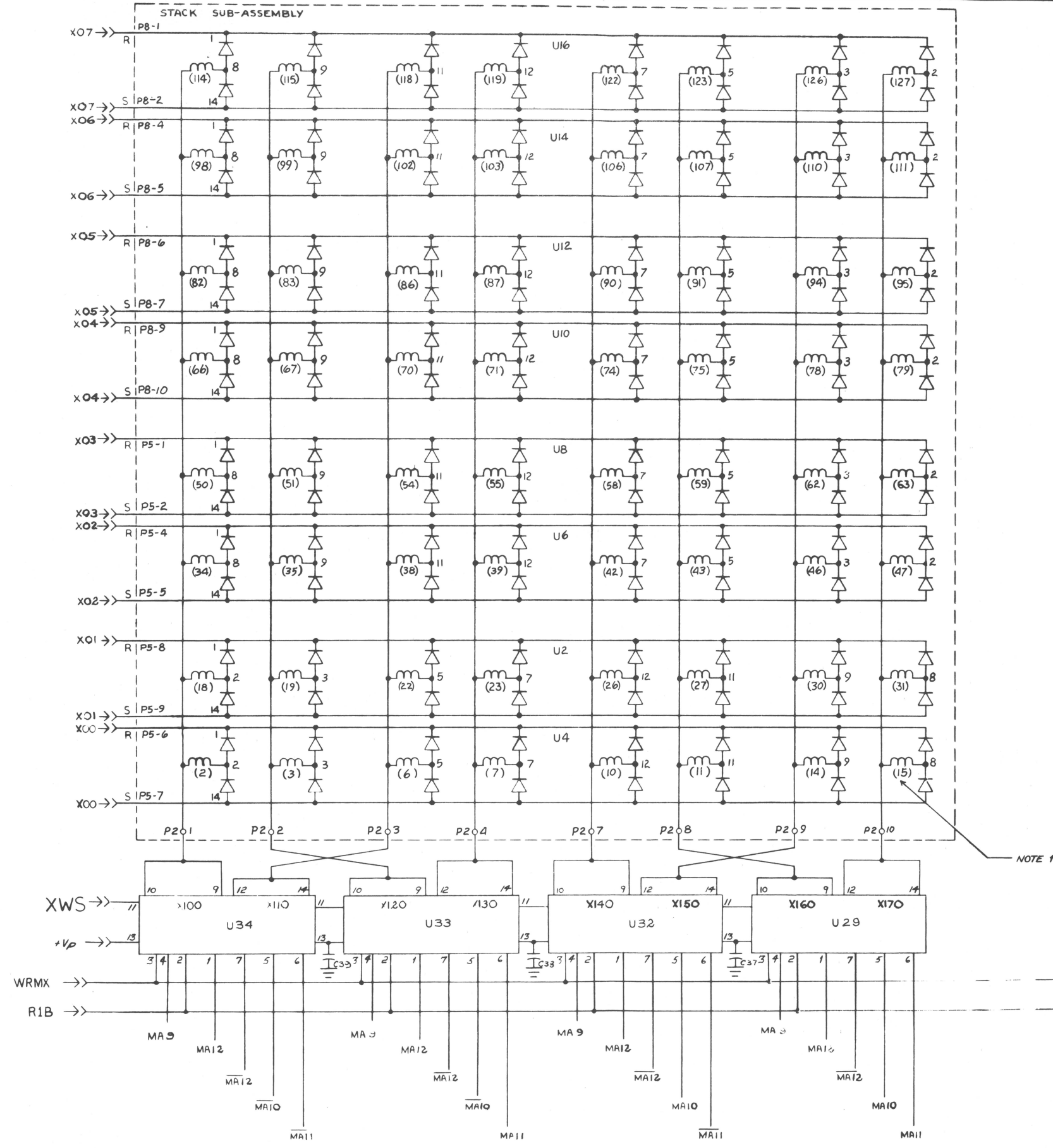
QTY.	DESCRIPTION	PART NO.

UNLESS OTHERWISE SPECIFIED— DIMENSIONS ARE IN INCHES TOLERANCES ON FRACTIONS DECIMALS ANGLES XX ± X.XX ± PARTS TO BE FREE FROM BURRS BREAK ALL EDGES 0.10	DRAWN CHET JOHNSON CHECKED 	DATE 11/2/77
UNLESS OTHERWISE SPECIFIED— ALL MACH SURFACES	ENGINEER 	
	APPROVED 	
	FIRST USED ON 107-000438-00	
MATERIAL		
FINISH		

DATA GENERAL CORPORATION		SOUTHBORO, MASSACHUSETTS 01772	
TITLE			
16K MEMORY			
SENSE & INHIBIT			
SIZE	CODE	DRAWING NUMBER	REV
D	001	000 721	01

THIS DRAWING AND SPECIFICATIONS, HEREIN, ARE THE PROPERTY OF DATA GENERAL CORPORATION AND SHALL NOT BE REPRODUCED OR COPIED OR USED IN WHOLE OR IN PART AS THE BASIS FOR MANUFACTURE OR SALE OF ITEMS WITHOUT WRITTEN PERMISSION.

REVISIONS				
REV	DESCRIPTION	DRFTG	APP BY	DATE



NOTE 1

NOTE:-
1. FOR STACK VENDOR USE ONLY.

001-000721 Sheet 4 of 6
4757A
Addendum to Rev. 00
1.7.

WRITE MEM X
READ 1B

NOTE: ALL CAPACITORS ARE IN MICROPARADS, AND ALL RESISTORS ARE IN OHMS, 1/4 WATT, WITH 5% TOLERANCE UNLESS OTHERWISE SPECIFIED.

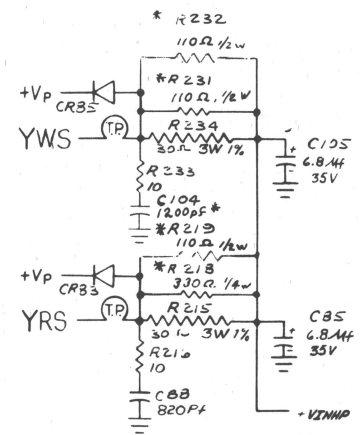
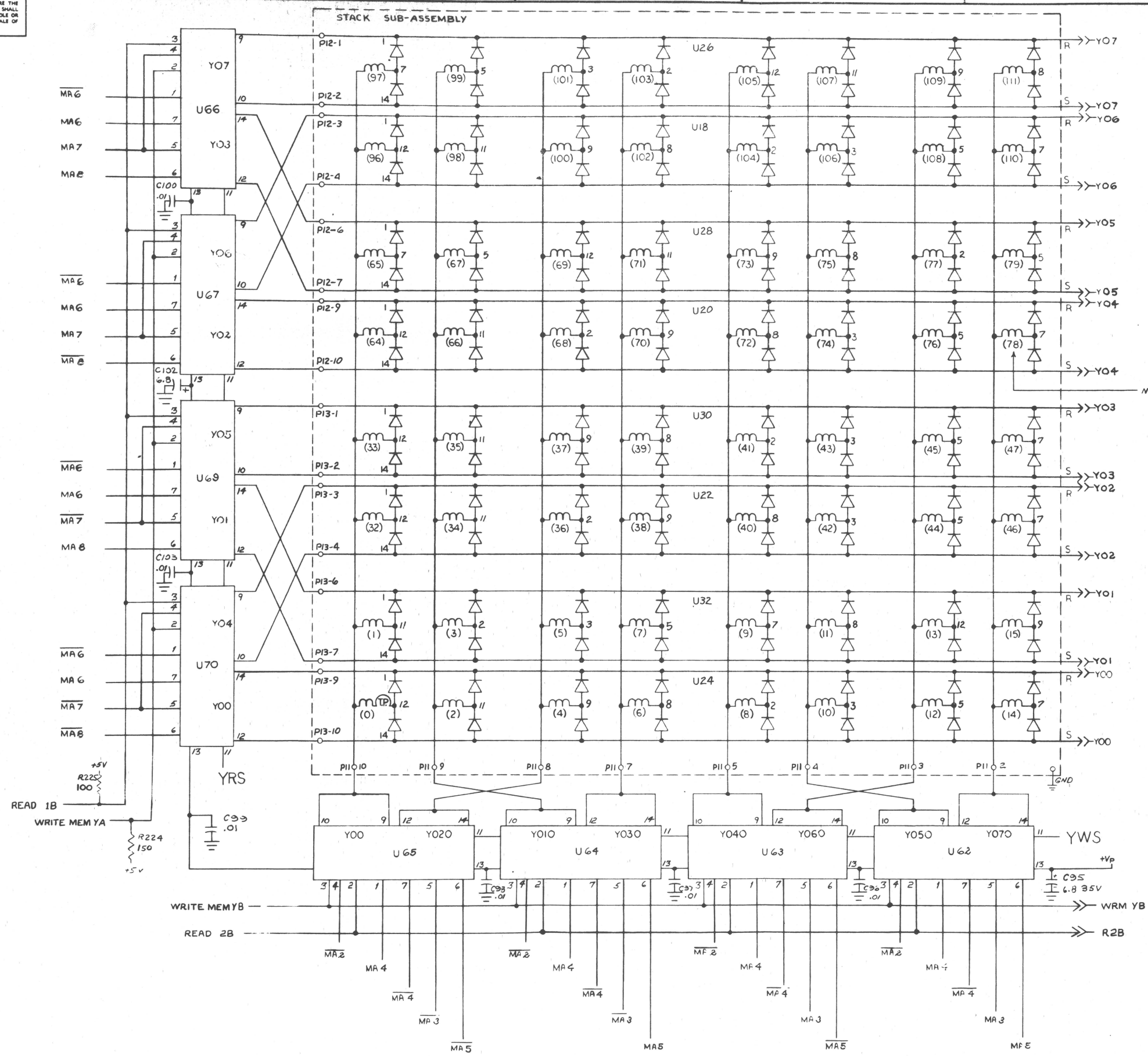
UNLESS OTHERWISE SPECIFIED— DIMENSIONS ARE IN INCHES TOLERANCES ON FRACTIONS DECIMALS ANGLES XXX ± PARTS TO BE FREE FROM BURRS BREAK ALL EDGES .010	QTY	DESCRIPTION	PART NO.
CHECKED			
ENGINEER			
APPROVED			
FIRST USED ON			
MATERIAL			
FINISH			
	SCALE	SIZE CODE	DRAWING NUMBER
		D 001	000 721

DATA GENERAL CORPORATION
SOUTHBORO, MASSACHUSETTS 01772
TITLE
16K MEMORY
X DRIVERS

REV 001

THIS DRAWING AND SPECIFICATIONS HEREIN, ARE THE PROPERTY OF DATA GENERAL CORPORATION AND SHALL NOT BE REPRODUCED OR COPIED OR USED IN WHOLE OR IN PART AS THE BASIS FOR MANUFACTURE OR SALE OF ITEMS WITHOUT WRITTEN PERMISSION.

REVISIONS				
REV	DESCRIPTION	DRFTG	APP BY	DATE



ADDENDUM TO REV. 00
4757A
8/74

- NOTE:
R*
1. RESISTORS SELECTED AT TEST LEVEL.
2. FOR STACK VENDOR USE ONLY.
- S=SOURCE
R=RETURN

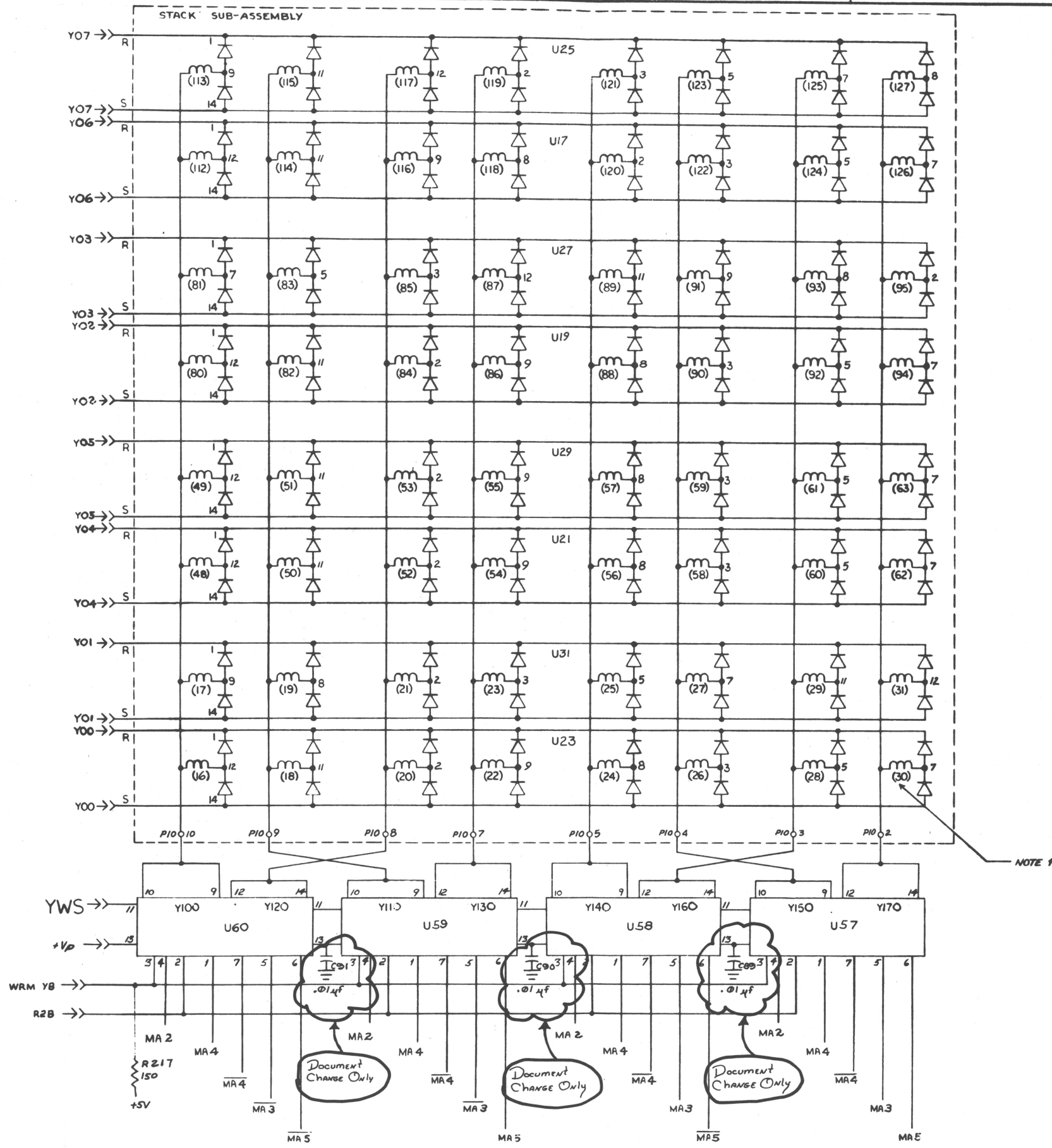
NOTE: ALL CAPACITORS ARE IN MICROFARADS, AND ALL RESISTORS ARE IN OHMS, 1/4 WATT, WITH 5% TOLERANCE UNLESS OTHERWISE SPECIFIED.

QTY	DESCRIPTION	PART NO

UNLESS OTHERWISE SPECIFIED— DIMENSIONS ARE IN INCHES TOLERANCES ON FRACTIONS DECIMALS ANGLES ± .XX ± . PARTS TO BE FREE FROM BURRS BREAK ALL EDGES C10	DRAWN CHET JOHNSON	DATA GENERAL CORPORATION SOUTHBORO, MASSACHUSETTS 01772 TITLE 16K MEMORY Y DRIVERS
	CHECKED	
	ENGINEER	
	APPROVED	
	FIRST USED ON	
MATERIAL	107-0004-38-00	DRAWING NUMBER 000 721
FINISH	SCALE	REV. 01

THIS DRAWING AND SPECIFICATIONS, HEREIN, ARE THE PROPERTY OF DATA GENERAL CORPORATION AND SHALL NOT BE REPRODUCED OR COPIED OR USED IN WHOLE OR IN PART AS THE BASIS FOR MANUFACTURE OR SALE OF ITEMS WITHOUT WRITTEN PERMISSION.

REVISIONS				
REV	DESCRIPTION	DRFTG	APP BY	DATE



NOTE 1

NOTE:
1. FOR STACK VENDOR USE ONLY.

001-000721 Sheet 6 of 6
4757A
Addendum to Rev. 00
7A.

NOTE: ALL CAPACITORS ARE IN MICROPARADES, AND ALL RESISTORS ARE IN OHMS, 1/4 WATT, WITH 5% TOLERANCE UNLESS OTHERWISE SPECIFIED.

QTY.	DESCRIPTION	PART NO.

UNLESS OTHERWISE SPECIFIED—DIMENSIONS ARE IN INCHES TOLERANCES ON FRACTIONS DECIMALS ANGLES X .001 X .005 X .010 X .015 X .020 X .030 X .040 X .050 X .060 X .070 X .080 X .090 X .100 X .125 X .150 X .175 X .200 X .250 X .300 X .375 X .450 X .500 X .625 X .750 X .875 X 1.000 X 1.250 X 1.500 X 1.750 X 2.000 X 2.500 X 3.000 X 3.750 X 4.500 X 5.000 X 6.250 X 7.500 X 8.750 X 10.000	DRAWN CHET JOHNSON 11/77	DATA GENERAL CORPORATION SOUTHBORO, MASSACHUSETTS 01772
CHECKED		
ENGINEER		
APPROVED		
UNLESS OTHERWISE SPECIFIED—ALL MACH. SURFACES	FIRST USED ON	
MATERIAL	107-000-438-00	
FINISH	SCALE	
	SIZE CODE D 001	DRAWING NUMBER 000 721