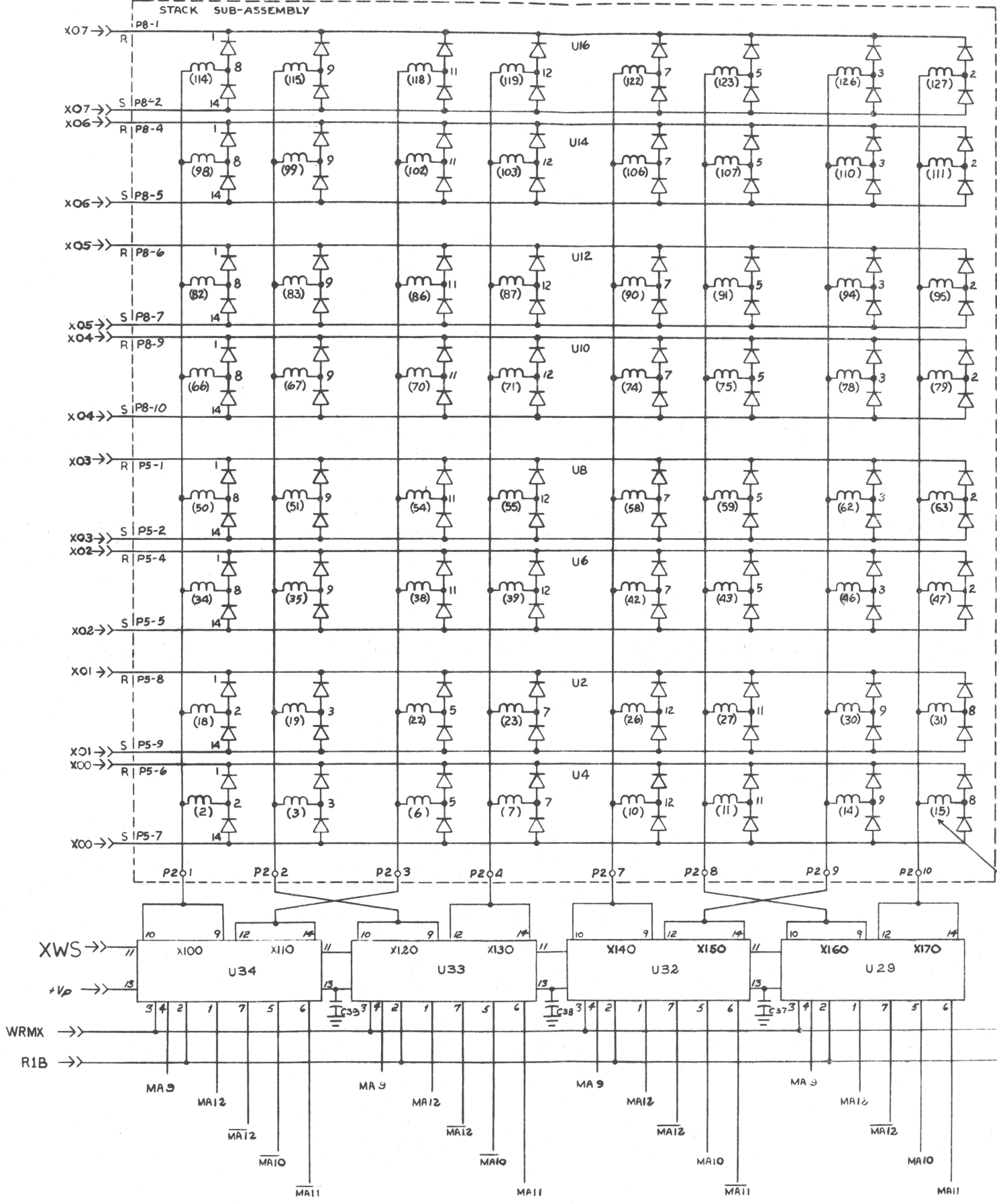


THIS DRAWING AND SPECIFICATIONS HEREIN ARE THE PROPERTY OF DATA GENERAL CORPORATION AND SHALL NOT BE REPRODUCED OR COPIED OR USED IN WHOLE OR IN PART AS THE BASIS FOR MANUFACTURE OR SALE OF ITEMS WITHOUT WRITTEN PERMISSION.

REVISIONS				
REV	DESCRIPTION	DRFTG	APP BY	DATE



NOTE 1

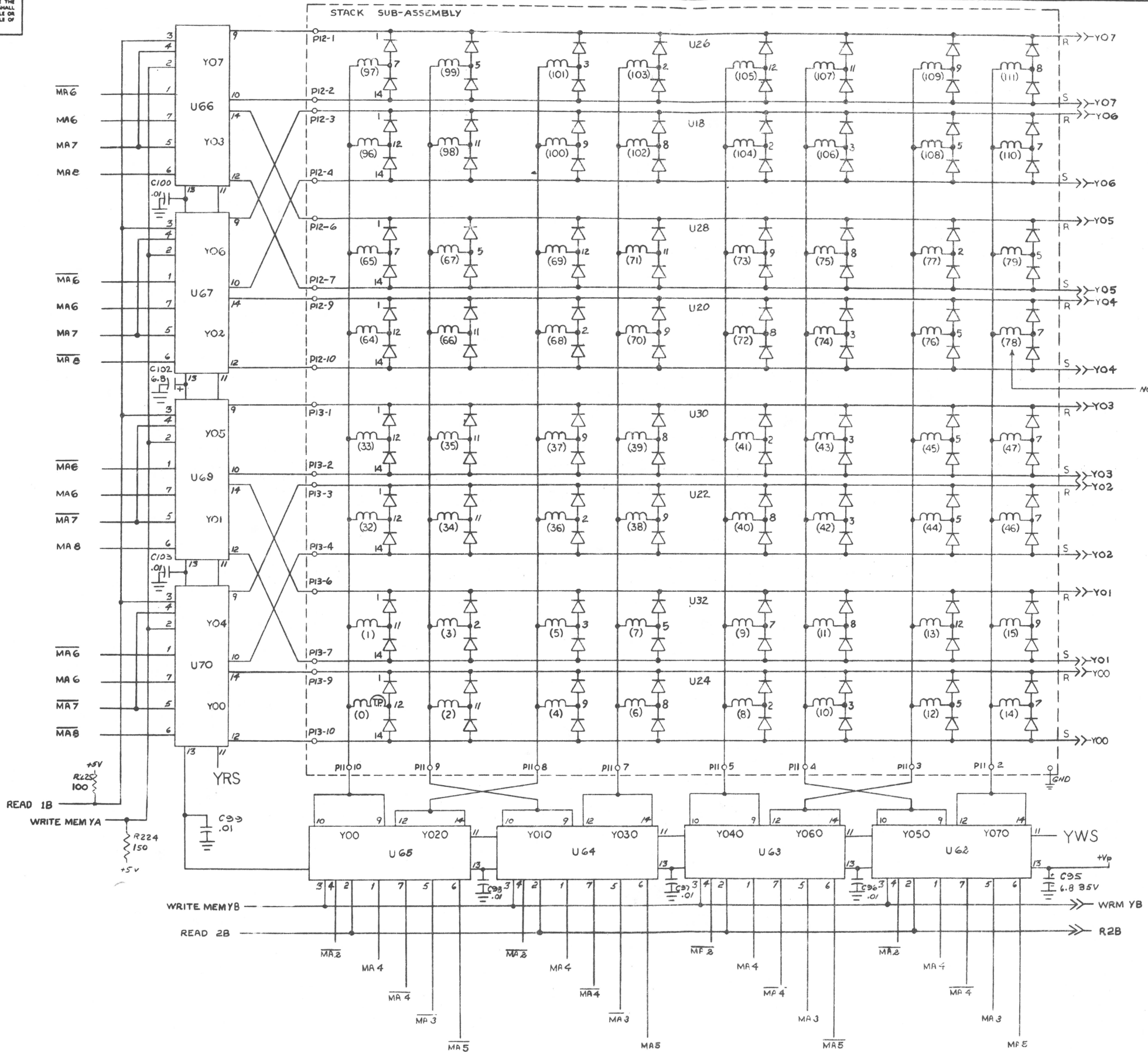
NOTE:-
1. FOR STACK VENDOR USE ONLY.

NOTE: ALL CAPACITORS ARE IN MICROPARADS, AND ALL RESISTORS ARE IN OHMS, 1/4 WATT, WITH 5% TOLERANCE UNLESS OTHERWISE SPECIFIED.

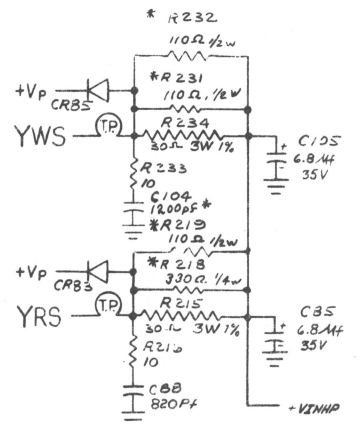
<small>UNLESS OTHERWISE SPECIFIED— DIMENSIONS ARE IN INCHES TOLERANCES ON FRACTIONS DECIMALS ANGLES XXX ± .001 PARTS TO BE FREE FROM BURRS BREAK ALL EDGES 010</small>	<small>QTY</small> DRAWN CHET JOHNSON CHECKED	DATA GENERAL CORPORATION <small>SOUTHBORO, MASSACHUSETTS 01772</small> TITLE 16K MEMORY X DRIVERS
	<small>APPROVED</small> <small>FIRST USED ON</small> 107-000438-C0	
	<small>MATERIAL</small> <small>FINISH</small>	
	<small>SCALE</small>	
<small>SIZE</small> D	<small>CODE</small> 001	<small>DRAWING NUMBER</small> 000 72.1
<small>REV</small> 0C	<small>DATE</small>	<small>SHEET</small> 4 OF 6

THIS DRAWING AND SPECIFICATIONS, HEREIN, ARE THE PROPERTY OF DATA GENERAL CORPORATION AND SHALL NOT BE REPRODUCED OR COPIED OR USED IN WHOLE OR IN PART AS THE BASIS FOR MANUFACTURE OR SALE OF ITEMS WITHOUT WRITTEN PERMISSION.

REVISIONS			
REV	DESCRIPTION	DRFTG	APP BY DATE



NOTE 2



NOTE:
 R*
 1. RESISTORS SELECTED AT TEST LEVEL.
 2. FOR STACK VENDOR USE ONLY.

S=SOURCE
 R=RETURN

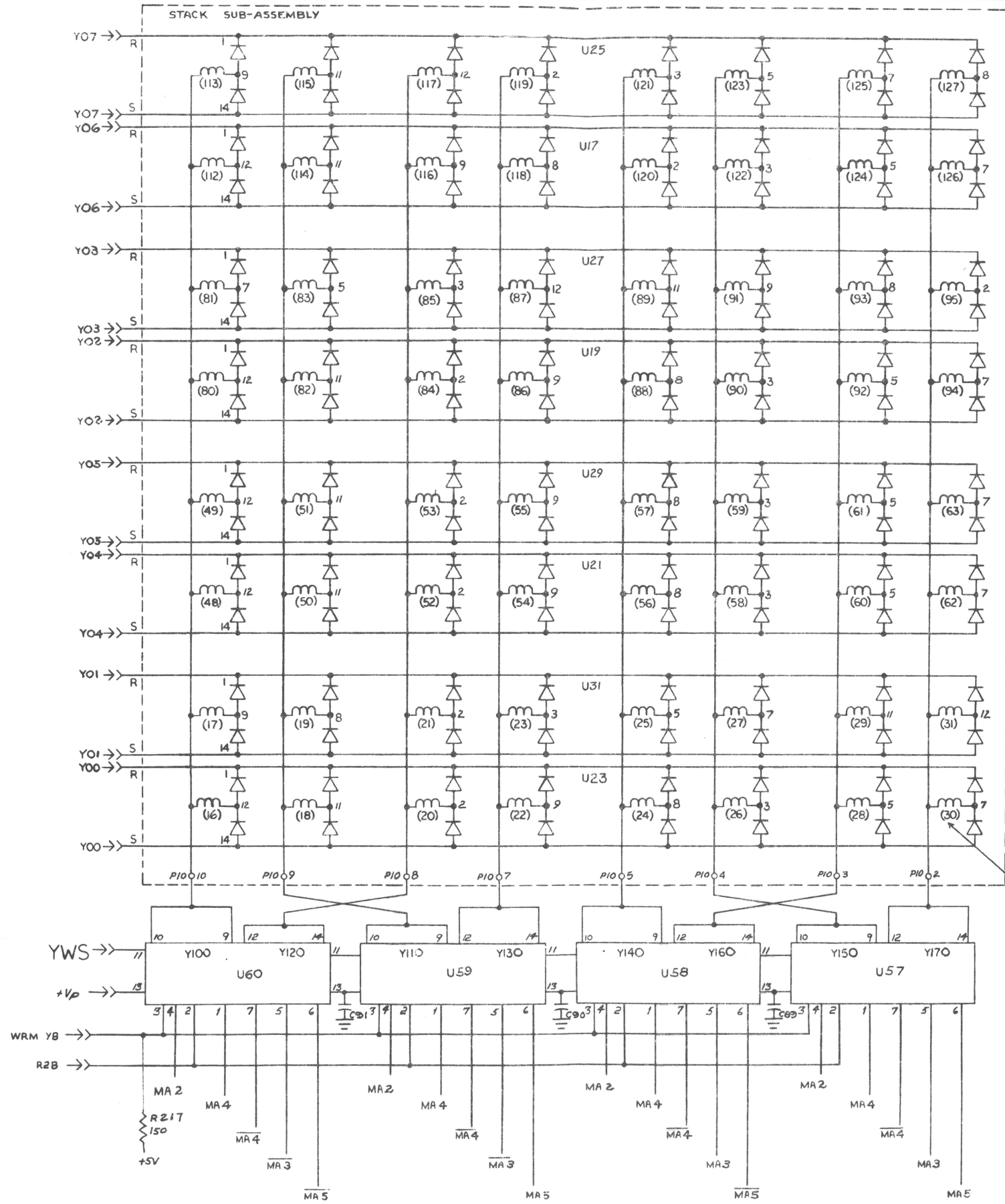
NOTE: ALL CAPACITORS ARE IN MICROFARADS, AND ALL RESISTORS ARE IN OHMS, 1/4 WATT, WITH 5% TOLERANCE UNLESS OTHERWISE SPECIFIED.

UNLESS OTHERWISE SPECIFIED— DIMENSIONS ARE IN INCHES TOLERANCES ON FRACTIONS DECIMALS ANGLES ± .005 ± .002 ± .001 PARTS TO BE FREE FROM BURRS BREAK ALL EDGES 10	QTY	DESCRIPTION	PART NO
	DRAWN CHET JOHNSON		
	CHECKED		
	ENGINEER		
UNLESS OTHERWISE SPECIFIED— ALL MACH SURFACES	APPROVED		
	FIRST USED ON		
MATERIAL	107-000438-00		
FINISH	SCALE	SIZE D 001	CODE 001
		DRAWING NUMBER 000 721	REV. 00

DATA GENERAL CORPORATION
 SOUTHBORO, MASSACHUSETTS 01772
 TITLE
**16K MEMORY
 Y DRIVERS**

THIS DRAWING AND SPECIFICATIONS HEREIN, ARE THE PROPERTY OF DATA GENERAL CORPORATION AND SHALL NOT BE REPRODUCED OR COPIED OR USED IN WHOLE OR IN PART AS THE BASIS FOR MANUFACTURE OR SALE OF ITEMS WITHOUT WRITTEN PERMISSION.

REVISIONS				
REV	DESCRIPTION	DRFTG	APP BY	DATE



NOTE 1

NOTE:-
1. FOR STACK VENDOR USE ONLY.

NOTE: ALL CAPACITORS ARE IN MICROFARADS, AND ALL RESISTORS ARE IN OHMS, 1/4 WATT, WITH 5% TOLERANCE UNLESS OTHERWISE SPECIFIED.

QTY	DESCRIPTION	PART NO.
UNLESS OTHERWISE SPECIFIED— DIMENSIONS ARE IN INCHES FRACTIONS ON DECIMALS ANGLES XX ± ± ± PARTS TO BE FREE FROM BURRS BREAK ALL EDGES .010 UNLESS OTHERWISE SPECIFIED— ALL MACH. SURFACES		
DRAWN	CHEK JOHNSON	11/2/77
CHECKED		
ENGINEER		
APPROVED		
FIRST USED ON		
MATERIAL	107-000-438-00	
FINISH		
SCALE		
DATA GENERAL CORPORATION SOUTHBORO, MASSACHUSETTS 01772		TITLE 16K MEMORY Y DRIVERS
SIZE	CODE	DRAWING NUMBER
D	001	000 721
REV		
		00