

REVISIONS				
REV	DESCRIPTION	DRFTG	APP BY	DATE
01	PER ECO 4155	AB	WDR	7-5-77

THIS DRAWING AND SPECIFICATIONS HEREIN ARE THE PROPERTY OF DATA GENERAL CORPORATION AND SHALL NOT BE REPRODUCED OR COPIED IN WHOLE OR IN PART AS THE BASIS FOR MANUFACTURE OR SALE OF ITEMS WITHOUT WRITTEN PERMISSION.

C74 VALUE DETERMINED AT TEST LEVEL.

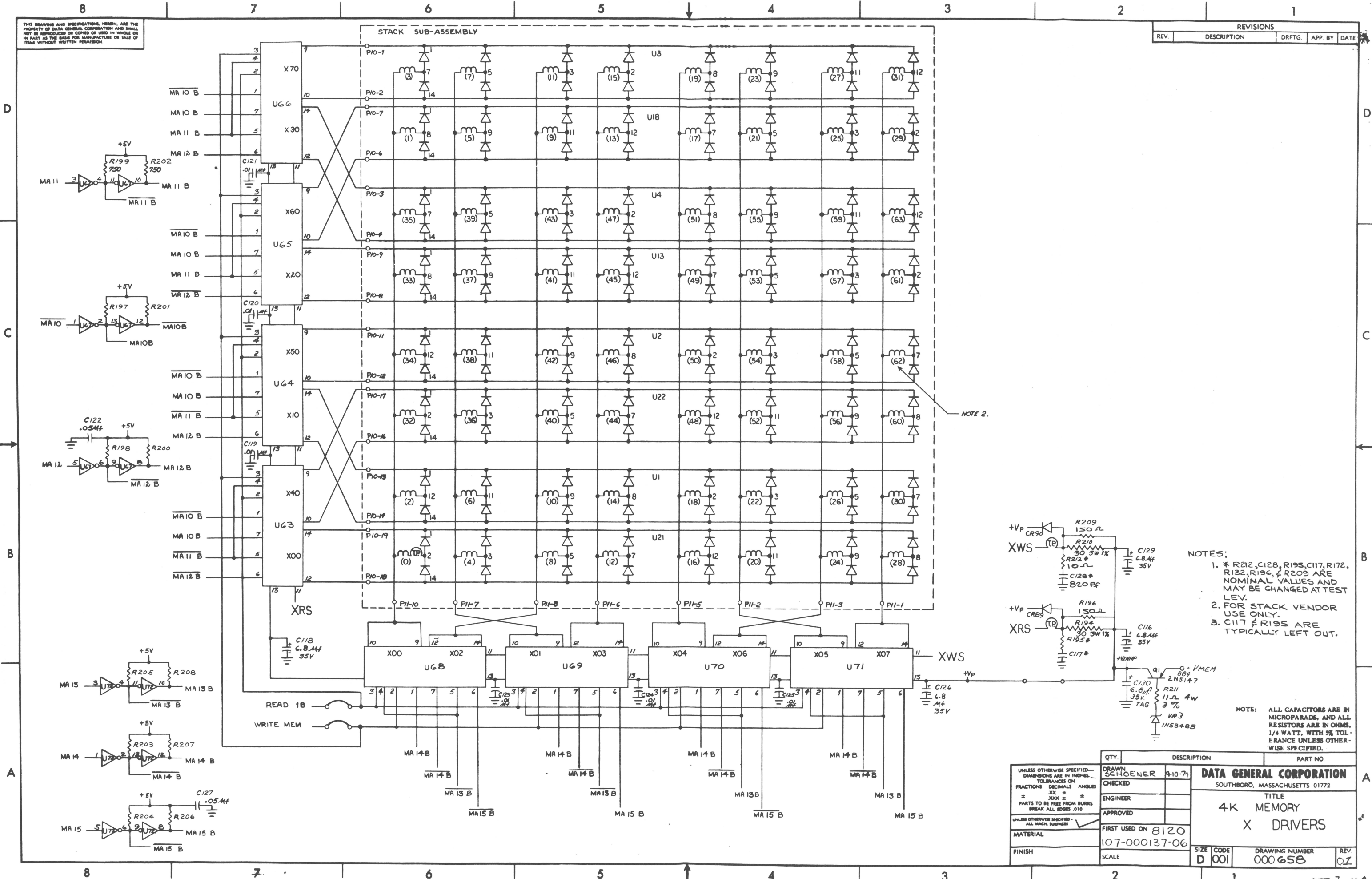
NOTE: ALL CAPACITORS ARE IN MICROFARADS, AND ALL RESISTORS ARE IN OHMS, 1/4 WATT, WITH 5% TOLERANCE UNLESS OTHERWISE SPECIFIED.

QTY.	DESCRIPTION	PART NO.
	UNLESS OTHERWISE SPECIFIED— DIMENSIONS ARE IN INCHES TOLERANCES ON FRACTIONS DECIMALS ANGLES	
	± PARTS TO BE FREE FROM BURRS BREAK ALL EDGES 010	
	UNLESS OTHERWISE SPECIFIED— ALL MACH. SURFACES	
	FINISH	
	DRAWN: SCHOENER	7-9-74
	CHECKED: [Signature]	7-10-74
	ENGINEER: [Signature]	7-12-74
	APPROVED: [Signature]	
	FIRST USED ON 8120	
	MATERIAL 107-000137-06	
	SCALE	
	DATA GENERAL CORPORATION	
	SOUTHBORO, MASSACHUSETTS 01772	
	TITLE	
	4K MEMORY	
	MA & MB REGISTER & CONTROL	
	1200, 1210, 1220	
	SIZE CODE	D 001
	DRAWING NUMBER	000 658
	REV	01

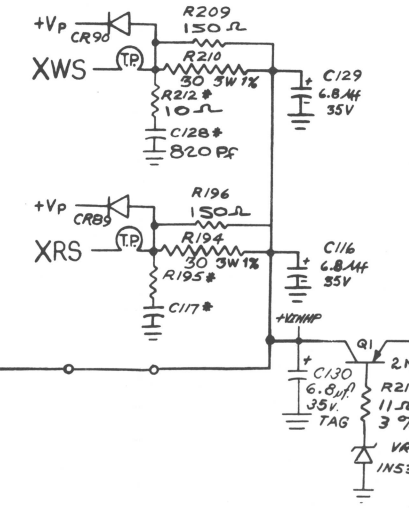
REVISIONS			
REV.	DESCRIPTION	DRFTG.	APP. BY DATE

THIS DRAWING AND SPECIFICATIONS, HEREIN, ARE THE PROPERTY OF DATA GENERAL CORPORATION AND SHALL NOT BE REPRODUCED OR COPIED OR USED IN WHOLE OR IN PART AS THE BASIS FOR MANUFACTURE OR SALE OF ITEMS WITHOUT WRITTEN PERMISSION.

STACK SUB-ASSEMBLY



NOTE 2.

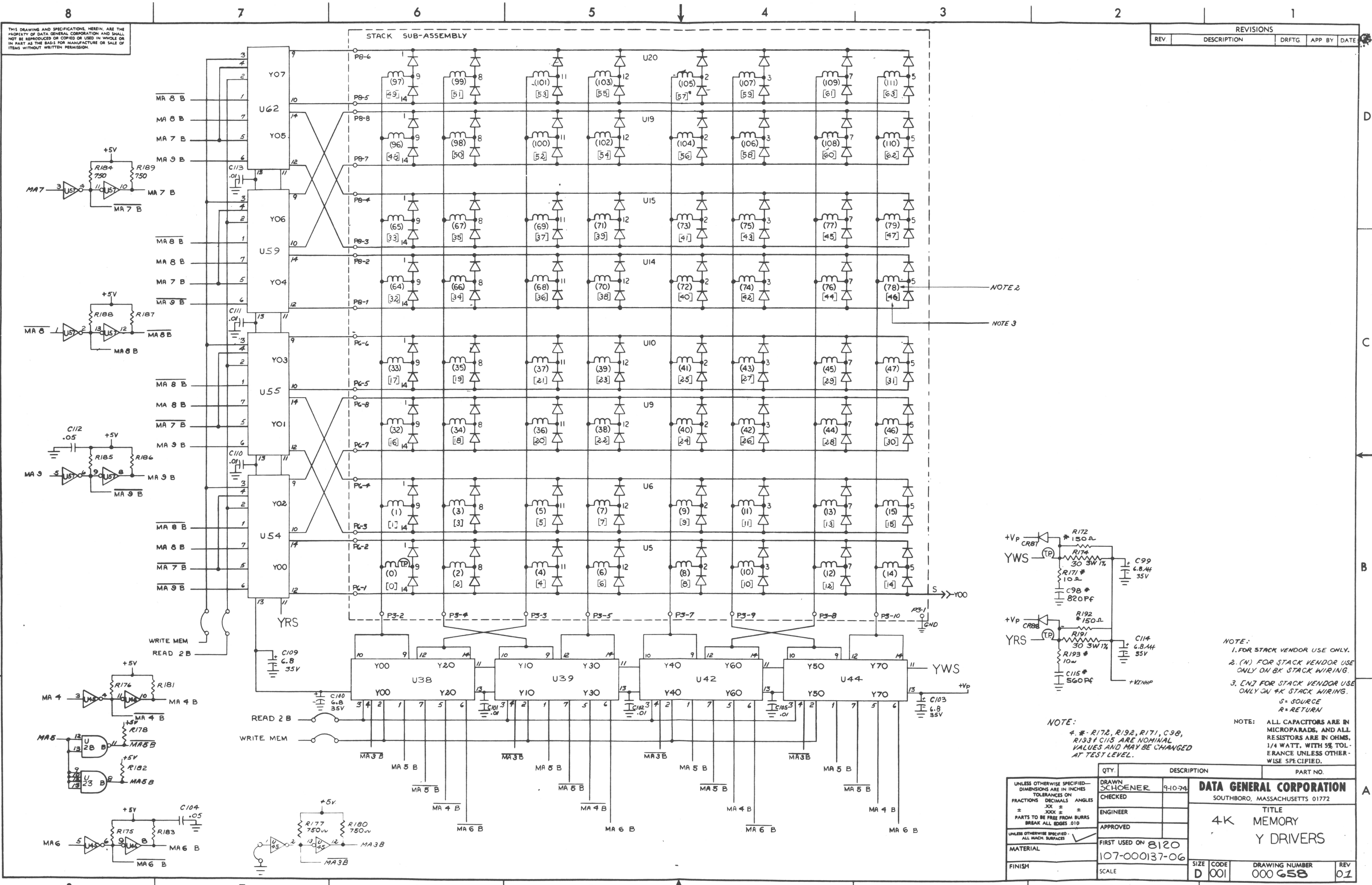


- NOTES:
- * R212, C128, R195, C117, R172, R132, R196, & R203 ARE NOMINAL VALUES AND MAY BE CHANGED AT TEST LEV.
 - FOR STACK VENDOR USE ONLY.
 - C117 & R195 ARE TYPICALLY LEFT OUT.

NOTE: ALL CAPACITORS ARE IN MICROFARADS, AND ALL RESISTORS ARE IN OHMS, 1/4 WATT, WITH 5% TOLERANCE UNLESS OTHERWISE SPECIFIED.

QTY.	DESCRIPTION	PART NO.

UNLESS OTHERWISE SPECIFIED—DIMENSIONS ARE IN INCHES—FRACTIONS DECIMALS ANGLES TOLERANCES ON * XXX ± * PARTS TO BE FREE FROM BURRS BREAK ALL EDGES .010	DRAWN SCHOENER 4-10-71 CHECKED ENGINEER APPROVED FIRST USED ON 8120 MATERIAL 107-000137-06 FINISH SCALE	DATA GENERAL CORPORATION SOUTHBORO, MASSACHUSETTS 01772 TITLE 4K MEMORY X DRIVERS DRAWING NUMBER 000 658 REV. 02
--------------------------------------------------------------------------------------------------------------------------------------------------------------------	---------------------------------------------------------------------------------------------------------------------------------------	-----------------------------------------------------------------------------------------------------------------------------------------------------------------------

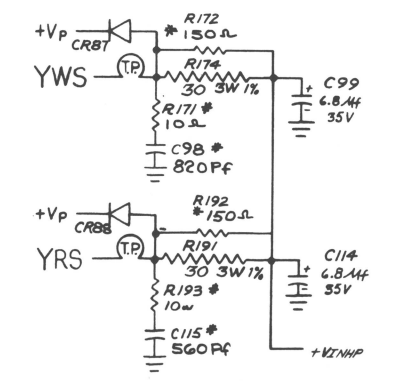


THIS DRAWING AND SPECIFICATIONS, HEREIN, ARE THE PROPERTY OF DATA GENERAL CORPORATION AND SHALL NOT BE REPRODUCED OR COPIED OR USED IN WHOLE OR IN PART AS THE BASIS FOR MANUFACTURE OR SALE OF ITEMS WITHOUT WRITTEN PERMISSION.

REVISIONS				
REV	DESCRIPTION	DRFTG	APP BY	DATE

NOTE 2

NOTE 3



- NOTE:
- FOR STACK VENDOR USE ONLY.
 - (N) FOR STACK VENDOR USE ONLY ON BK STACK WIRING.
 - (N) FOR STACK VENDOR USE ONLY ON *K STACK WIRING.
- S = SOURCE
R = RETURN

NOTE:
4. * - R172, R192, R171, C98, R193 & C115 ARE NOMINAL VALUES AND MAY BE CHANGED AT TEST LEVEL.

NOTE: ALL CAPACITORS ARE IN MICROPARADS, AND ALL RESISTORS ARE IN OHMS, 1/4 WATT, WITH 5% TOLERANCE UNLESS OTHERWISE SPECIFIED.

QTY.	DESCRIPTION	PART NO.

UNLESS OTHERWISE SPECIFIED— DIMENSIONS ARE IN INCHES FRACTIONS DECIMALS ANGLES TOLERANCES ON XXX ± PARTS TO BE FREE FROM BURRS BREAK ALL EDGES .010	DRAWN SCHOENER 9-10-74 CHECKED ENGINEER APPROVED FIRST USED ON 8120 107-000137-06 MATERIAL FINISH SCALE	DATA GENERAL CORPORATION SOUTHBORO, MASSACHUSETTS 01772 TITLE 4K MEMORY Y DRIVERS SIZE CODE D 001 DRAWING NUMBER 000 658 REV 02
-----------------------------------------------------------------------------------------------------------------------------------------------------------------------	---------------------------------------------------------------------------------------------------------------------------------------	-----------------------------------------------------------------------------------------------------------------------------------------------------------------------------