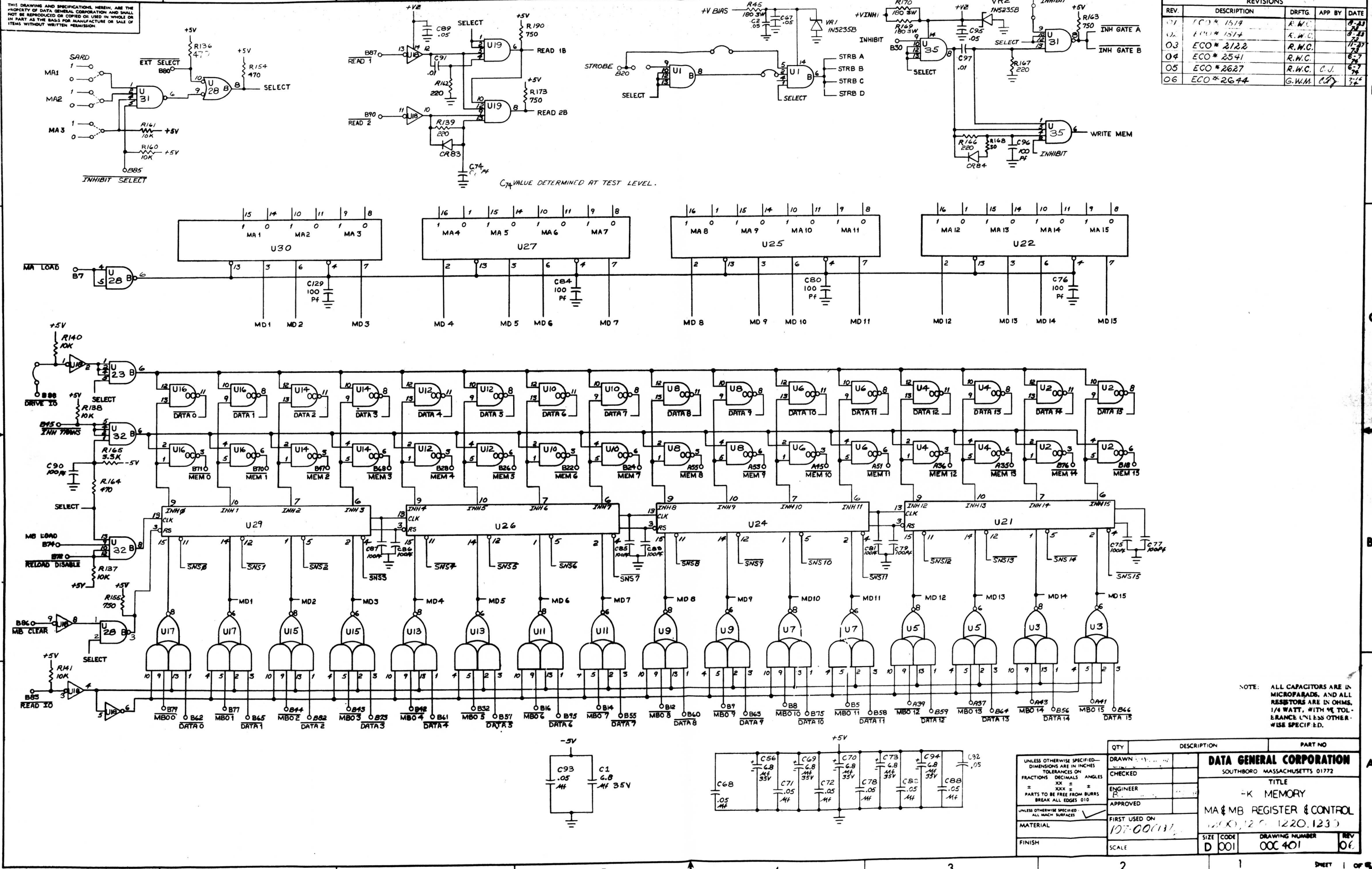


THIS DRAWING AND SPECIFICATIONS, HEREIN, ARE THE PROPERTY OF DATA GENERAL CORPORATION AND SHALL NOT BE REPRODUCED OR COPIED OR USED IN WHOLE OR IN PART AS THE BASIS FOR MANUFACTURE OR SALE OF ITEMS WITHOUT WRITTEN PERMISSION.

REVISIONS				
REV.	DESCRIPTION	DRFTG.	APP BY	DATE
01	ECO # 1519	R.W.C.		8-23
02	ECO # 1517	R.W.C.		8-23
03	ECO # 2122	R.W.C.		11-27
04	ECO # 2541	R.W.C.		6-7
05	ECO # 2627	R.W.C.	C.J.	6-7
06	ECO # 2644	G.W.M.	C.J.	7-4

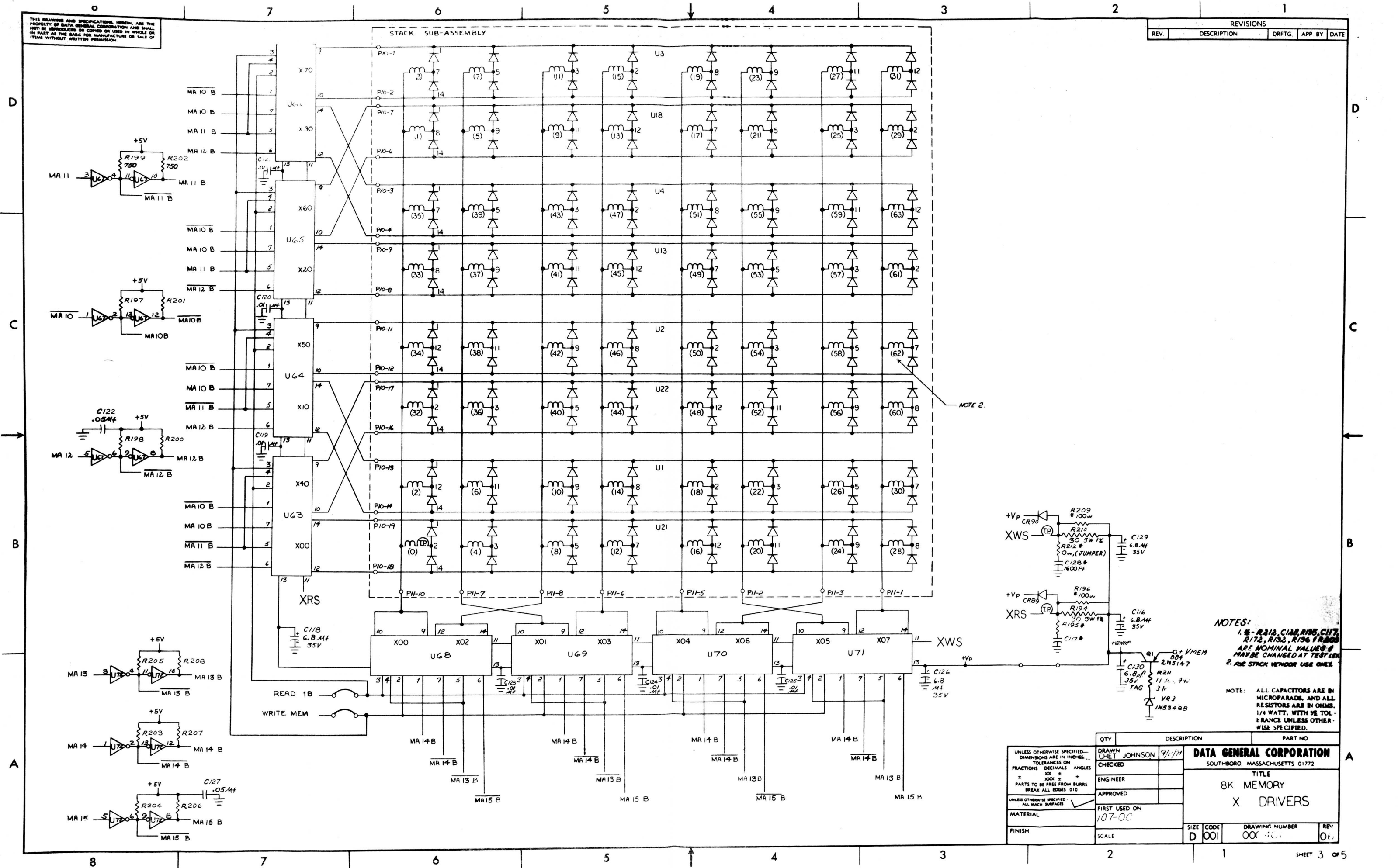


NOTE: ALL CAPACITORS ARE IN MICROFARADS, AND ALL RESISTORS ARE IN OHMS, 1/4 WATT, WITH 1% TOLERANCE UNLESS OTHERWISE SPECIFIED.

QTY	DESCRIPTION	PART NO
	DATA GENERAL CORPORATION	
	SOUTHBORO MASSACHUSETTS 01772	
	TITLE	
	-K MEMORY	
	MA & MB REGISTER & CONTROL	
	1200, 1201, 1220, 1230	
	SIZE	DRAWING NUMBER
	D 001	00C 401
	SCALE	REV
		06

THIS DRAWING AND SPECIFICATIONS HEREIN ARE THE PROPERTY OF DATA GENERAL CORPORATION AND SHALL NOT BE REPRODUCED OR COPIED OR USED IN WHOLE OR IN PART AS THE BASIS FOR MANUFACTURE OR SALE OF ITEMS WITHOUT WRITTEN PERMISSION.

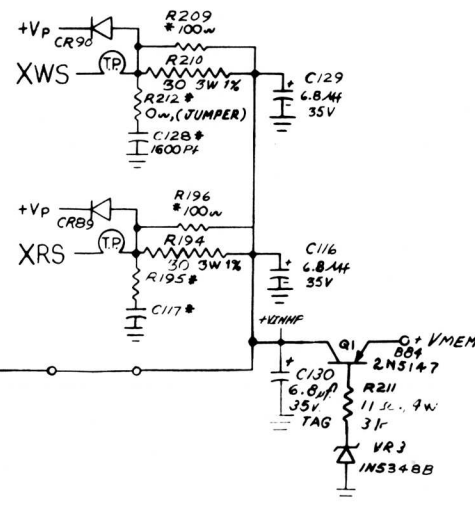
REVISIONS			
REV	DESCRIPTION	DRFTG	APP BY DATE



NOTE 2.

NOTES:
 1. R198, R199, R200, R201, R202, R203, R204, R205, R206, R207, R208, R209 ARE NOMINAL VALUES & MAY BE CHANGED AT TEST LEVEL.
 2. FOR STACK VENDOR USE ONLY.

NOTE: ALL CAPACITORS ARE IN MICROFARADS, AND ALL RESISTORS ARE IN OHMS, 1/4 WATT, WITH 5% TOLERANCE UNLESS OTHERWISE SPECIFIED.



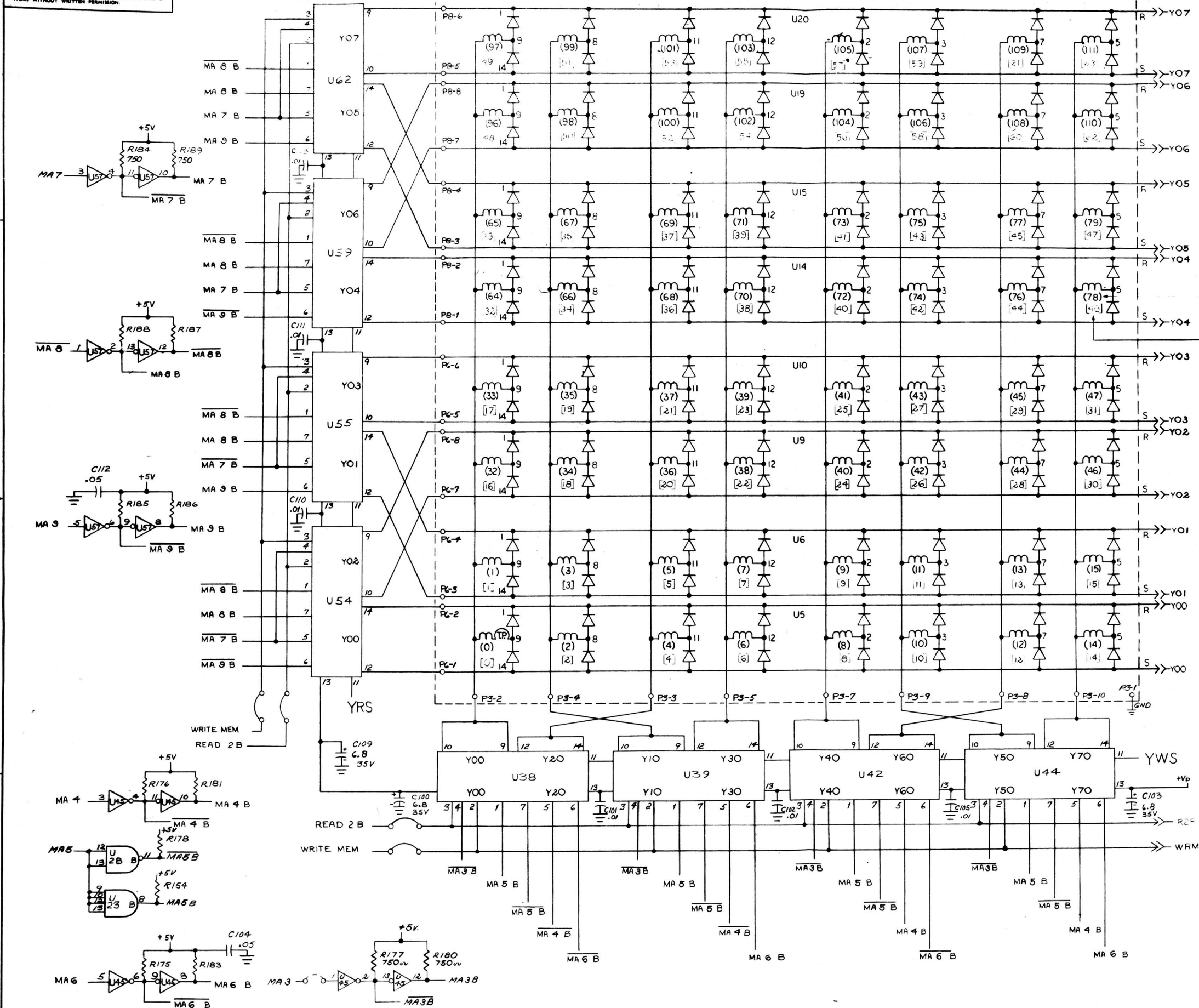
QTY	DESCRIPTION	PART NO

UNLESS OTHERWISE SPECIFIED— DIMENSIONS ARE IN INCHES— FRACTIONS DECIMALS ANGLES ± .005 ± .010 ± .015 ± .020 ± .030 ± .040 ± .050 ± .060 ± .070 ± .080 ± .090 ± .100 ± .125 ± .150 ± .175 ± .200 ± .250 ± .300 ± .375 ± .450 ± .500 ± .625 ± .750 ± .875 ± 1.000 ± 1.250 ± 1.500 ± 1.750 ± 2.000 ± 2.500 ± 3.000 ± 3.750 ± 4.500 ± 5.000 ± 6.250 ± 7.500 ± 8.750 ± 10.000 ± 12.500 ± 15.000 ± 17.500 ± 20.000 ± 25.000 ± 30.000 ± 37.500 ± 45.000 ± 50.000 ± 62.500 ± 75.000 ± 87.500 ± 100.000 ± 125.000 ± 150.000 ± 175.000 ± 200.000 ± 250.000 ± 300.000 ± 375.000 ± 450.000 ± 500.000 ± 625.000 ± 750.000 ± 875.000 ± 1000.000 ± 1250.000 ± 1500.000 ± 1750.000 ± 2000.000 ± 2500.000 ± 3000.000 ± 3750.000 ± 4500.000 ± 5000.000 ± 6250.000 ± 7500.000 ± 8750.000 ± 10000.000 ± 12500.000 ± 15000.000 ± 17500.000 ± 20000.000 ± 25000.000 ± 30000.000 ± 37500.000 ± 45000.000 ± 50000.000 ± 62500.000 ± 75000.000 ± 87500.000 ± 100000.000 ± 125000.000 ± 150000.000 ± 175000.000 ± 200000.000 ± 250000.000 ± 300000.000 ± 375000.000 ± 450000.000 ± 500000.000 ± 625000.000 ± 750000.000 ± 875000.000 ± 1000000.000 ± 1250000.000 ± 1500000.000 ± 1750000.000 ± 2000000.000 ± 2500000.000 ± 3000000.000 ± 3750000.000 ± 4500000.000 ± 5000000.000 ± 6250000.000 ± 7500000.000 ± 8750000.000 ± 10000000.000 ± 12500000.000 ± 15000000.000 ± 17500000.000 ± 20000000.000 ± 25000000.000 ± 30000000.000 ± 37500000.000 ± 45000000.000 ± 50000000.000 ± 62500000.000 ± 75000000.000 ± 87500000.000 ± 100000000.000 ± 125000000.000 ± 150000000.000 ± 175000000.000 ± 200000000.000 ± 250000000.000 ± 300000000.000 ± 375000000.000 ± 450000000.000 ± 500000000.000 ± 625000000.000 ± 750000000.000 ± 875000000.000 ± 1000000000.000 ± 1250000000.000 ± 1500000000.000 ± 1750000000.000 ± 2000000000.000 ± 2500000000.000 ± 3000000000.000 ± 3750000000.000 ± 4500000000.000 ± 5000000000.000 ± 6250000000.000 ± 7500000000.000 ± 8750000000.000 ± 10000000000.000 ± 12500000000.000 ± 15000000000.000 ± 17500000000.000 ± 20000000000.000 ± 25000000000.000 ± 30000000000.000 ± 37500000000.000 ± 45000000000.000 ± 50000000000.000 ± 62500000000.000 ± 75000000000.000 ± 87500000000.000 ± 100000000000.000 ± 125000000000.000 ± 150000000000.000 ± 175000000000.000 ± 200000000000.000 ± 250000000000.000 ± 300000000000.000 ± 375000000000.000 ± 450000000000.000 ± 500000000000.000 ± 625000000000.000 ± 750000000000.000 ± 875000000000.000 ± 1000000000000.000 ± 1250000000000.000 ± 1500000000000.000 ± 1750000000000.000 ± 2000000000000.000 ± 2500000000000.000 ± 3000000000000.000 ± 3750000000000.000 ± 4500000000000.000 ± 5000000000000.000 ± 6250000000000.000 ± 7500000000000.000 ± 8750000000000.000 ± 10000000000000.000 ± 12500000000000.000 ± 15000000000000.000 ± 17500000000000.000 ± 20000000000000.000 ± 25000000000000.000 ± 30000000000000.000 ± 37500000000000.000 ± 45000000000000.000 ± 50000000000000.000 ± 62500000000000.000 ± 75000000000000.000 ± 87500000000000.000 ± 100000000000000.000 ± 125000000000000.000 ± 150000000000000.000 ± 175000000000000.000 ± 200000000000000.000 ± 250000000000000.000 ± 300000000000000.000 ± 375000000000000.000 ± 450000000000000.000 ± 500000000000000.000 ± 625000000000000.000 ± 750000000000000.000 ± 875000000000000.000 ± 1000000000000000.000 ± 1250000000000000.000 ± 1500000000000000.000 ± 1750000000000000.000 ± 2000000000000000.000 ± 2500000000000000.000 ± 3000000000000000.000 ± 3750000000000000.000 ± 4500000000000000.000 ± 5000000000000000.000 ± 6250000000000000.000 ± 7500000000000000.000 ± 8750000000000000.000 ± 10000000000000000.000 ± 12500000000000000.000 ± 15000000000000000.000 ± 17500000000000000.000 ± 20000000000000000.000 ± 25000000000000000.000 ± 30000000000000000.000 ± 37500000000000000.000 ± 45000000000000000.000 ± 50000000000000000.000 ± 62500000000000000.000 ± 75000000000000000.000 ± 87500000000000000.000 ± 100000000000000000.000 ± 125000000000000000.000 ± 150000000000000000.000 ± 175000000000000000.000 ± 200000000000000000.000 ± 250000000000000000.000 ± 300000000000000000.000 ± 375000000000000000.000 ± 450000000000000000.000 ± 500000000000000000.000 ± 625000000000000000.000 ± 750000000000000000.000 ± 875000000000000000.000 ± 1000000000000000000.000 ± 1250000000000000000.000 ± 1500000000000000000.000 ± 1750000000000000000.000 ± 2000000000000000000.000 ± 2500000000000000000.000 ± 3000000000000000000.000 ± 3750000000000000000.000 ± 4500000000000000000.000 ± 5000000000000000000.000 ± 6250000000000000000.000 ± 7500000000000000000.000 ± 8750000000000000000.000 ± 10000000000000000000.000 ± 12500000000000000000.000 ± 15000000000000000000.000 ± 17500000000000000000.000 ± 20000000000000000000.000 ± 25000000000000000000.000 ± 30000000000000000000.000 ± 37500000000000000000.000 ± 45000000000000000000.000 ± 50000000000000000000.000 ± 62500000000000000000.000 ± 75000000000000000000.000 ± 87500000000000000000.000 ± 100000000000000000000.000 ± 125000000000000000000.000 ± 150000000000000000000.000 ± 175000000000000000000.000 ± 200000000000000000000.000 ± 250000000000000000000.000 ± 300000000000000000000.000 ± 375000000000000000000.000 ± 450000000000000000000.000 ± 500000000000000000000.000 ± 625000000000000000000.000 ± 750000000000000000000.000 ± 875000000000000000000.000 ± 1000000000000000000000.000 ± 1250000000000000000000.000 ± 1500000000000000000000.000 ± 1750000000000000000000.000 ± 2000000000000000000000.000 ± 2500000000000000000000.000 ± 3000000000000000000000.000 ± 3750000000000000000000.000 ± 4500000000000000000000.000 ± 5000000000000000000000.000 ± 6250000000000000000000.000 ± 7500000000000000000000.000 ± 8750000000000000000000.000 ± 10000000000000000000000.000 ± 12500000000000000000000.000 ± 15000000000000000000000.000 ± 17500000000000000000000.000 ± 20000000000000000000000.000 ± 25000000000000000000000.000 ± 30000000000000000000000.000 ± 37500000000000000000000.000 ± 45000000000000000000000.000 ± 50000000000000000000000.000 ± 62500000000000000000000.000 ± 75000000000000000000000.000 ± 87500000000000000000000.000 ± 100000000000000000000000.000 ± 125000000000000000000000.000 ± 150000000000000000000000.000 ± 175000000000000000000000.000 ± 200000000000000000000000.000 ± 250000000000000000000000.000 ± 300000000000000000000000.000 ± 375000000000000000000000.000 ± 450000000000000000000000.000 ± 500000000000000000000000.000 ± 625000000000000000000000.000 ± 750000000000000000000000.000 ± 875000000000000000000000.000 ± 1000000000000000000000000.000 ± 1250000000000000000000000.000 ± 1500000000000000000000000.000 ± 1750000000000000000000000.000 ± 2000000000000000000000000.000 ± 2500000000000000000000000.000 ± 3000000000000000000000000.000 ± 3750000000000000000000000.000 ± 4500000000000000000000000.000 ± 5000000000000000000000000.000 ± 6250000000000000000000000.000 ± 7500000000000000000000000.000 ± 8750000000000000000000000.000 ± 10000000000000000000000000.000 ± 12500000000000000000000000.000 ± 15000000000000000000000000.000 ± 17500000000000000000000000.000 ± 20000000000000000000000000.000 ± 25000000000000000000000000.000 ± 30000000000000000000000000.000 ± 37500000000000000000000000.000 ± 45000000000000000000000000.000 ± 50000000000000000000000000.000 ± 62500000000000000000000000.000 ± 75000000000000000000000000.000 ± 87500000000000000000000000.000 ± 100000000000000000000000000.000 ± 125000000000000000000000000.000 ± 150000000000000000000000000.000 ± 175000000000000000000000000.000 ± 200000000000000000000000000.000 ± 250000000000000000000000000.000 ± 300000000000000000000000000.000 ± 375000000000000000000000000.000 ± 450000000000000000000000000.000 ± 500000000000000000000000000.000 ± 625000000000000000000000000.000 ± 750000000000000000000000000.000 ± 875000000000000000000000000.000 ± 1000000000000000000000000000.000 ± 1250000000000000000000000000.000 ± 1500000000000000000000000000.000 ± 1750000000000000000000000000.000 ± 2000000000000000000000000000.000 ± 2500000000000000000000000000.000 ± 3000000000000000000000000000.000 ± 3750000000000000000000000000.000 ± 4500000000000000000000000000.000 ± 5000000000000000000000000000.000 ± 6250000000000000000000000000.000 ± 7500000000000000000000000000.000 ± 8750000000000000000000000000.000 ± 10000000000000000000000000000.000 ± 12500000000000000000000000000.000 ± 15000000000000000000000000000.000 ± 17500000000000000000000000000.000 ± 20000000000000000000000000000.000 ± 25000000000000000000000000000.000 ± 30000000000000000000000000000.000 ± 37500000000000000000000000000.000 ± 45000000000000000000000000000.000 ± 50000000000000000000000000000.000 ± 62500000000000000000000000000.000 ± 75000000000000000000000000000.000 ± 87500000000000000000000000000.000 ± 100000000000000000000000000000.000 ± 125000000000000000000000000000.000 ± 150000000000000000000000000000.000 ± 175000000000000000000000000000.000 ± 200000000000000000000000000000.000 ± 250000000000000000000000000000.000 ± 300000000000000000000000000000.000 ± 375000000000000000000000000000.000 ± 450000000000000000000000000000.000 ± 500000000000000000000000000000.000 ± 625000000000000000000000000000.000 ± 750000000000000000000000000000.000 ± 875000000000000000000000000000.000 ± 1000000000000000000000000000000.000 ± 1250000000000000000000000000000.000 ± 1500000000000000000000000000000.000 ± 1750000000000000000000000000000.000 ± 2000000000000000000000000000000.000 ± 2500000000000000000000000000000.000 ± 3000000000000000000000000000000.000 ± 3750000000000000000000000000000.000 ± 4500000000000000000000000000000.000 ± 5000000000000000000000000000000.000 ± 6250000000000000000000000000000.000 ± 7500000000000000000000000000000.000 ± 8750000000000000000000000000000.000 ± 10000000000000000000000000000000.000 ± 12500000000000000000000000000000.000 ± 15000000000000000000000000000000.000 ± 17500000000000000000000000000000.000 ± 20000000000000000000000000000000.000 ± 25000000000000000000000000000000.000 ± 30000000000000000000000000000000.000 ± 37500000000000000000000000000000.000 ± 45000000000000000000000000000000.000 ± 50000000000000000000000000000000.000 ± 62500000000000000000000000000000.000 ± 75000000000000000000000000000000.000 ± 87500000000000000000000000000000.000 ± 100000000000000000000000000000000.000 ± 125000000000000000000000000000000.000 ± 150000000000000000000000000000000.000 ± 175000000000000000000000000000000.000 ± 200000000000000000000000000000000.000 ± 250000000000000000000000000000000.000 ± 300000000000000000000000000000000.000 ± 375000000000000000000000000000000.000 ± 450000000000000000000000000000000.000 ± 500000000000000000000000000000000.000 ± 625000000000000000000000000000000.000 ± 750000000000000000000000000000000.000 ± 875000000000000000000000000000000.000 ± 1000000000000000000000000000000000.000 ± 1250000000000000000000000000000000.000 ± 1500000000000000000000000000000000.000 ± 1750000000000000000000000000000000.000 ± 2000000000000000000000000000000000.000 ± 2500000000000000000000000000000000.000 ± 3000000000000000000000000000000000.000 ± 3750000000000000000000000000000000.000 ± 4500000000000000000000000000000000.000 ± 5000000000000000000000000000000000.000 ± 6250000000000000000000000000000000.000 ± 7500000000000000000000000000000000.000 ± 8750000000000000000000000000000000.000 ± 10000000000000000000000000000000000.000 ± 12500000000000000000000000000000000.000 ± 15000000000000000000000000000000000.000 ± 17500000000000000000000000000000000.000 ± 20000000000000000000000000000000000.000 ± 25000000000000000000000000000000000.000 ± 30000000000000000000000000000000000.000 ± 37500000000000000000000000000000000.000 ± 45000000000000000000000000000000000.000 ± 50000000000000000000000000000000000.000 ± 62500000000000000000000000000000000.000 ± 75000000000000000000000000000000000.000 ± 87500000000000000000000000000000000.000 ± 100000000000000000000000000000000000.000 ± 125000000
--

THIS DRAWING AND SPECIFICATIONS HEREIN, ARE THE PROPERTY OF DATA GENERAL CORPORATION AND SHALL NOT BE REPRODUCED OR COPIED OR USED IN WHOLE OR IN PART AS THE BASIS FOR MANUFACTURE OR SALE OF ITEMS WITHOUT WRITTEN PERMISSION.

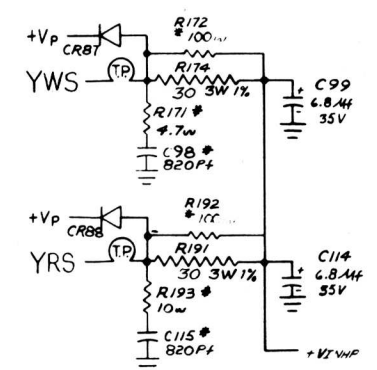
REVISIONS				
REV	DESCRIPTION	DRFTG	APP BY	DATE

STACK SUB-ASSEMBLY



NOTE 2

NOTE 3



NOTE:
 1. FOR STACK VENDOR USE ONLY.
 2. IN FOR STACK VENDOR USE ONLY ON-BOARD STACK WIRING.
 3. END FOR STACK VENDOR USE ONLY ON-BOARD WIRING.
 S - SOURCE
 R - RETURN

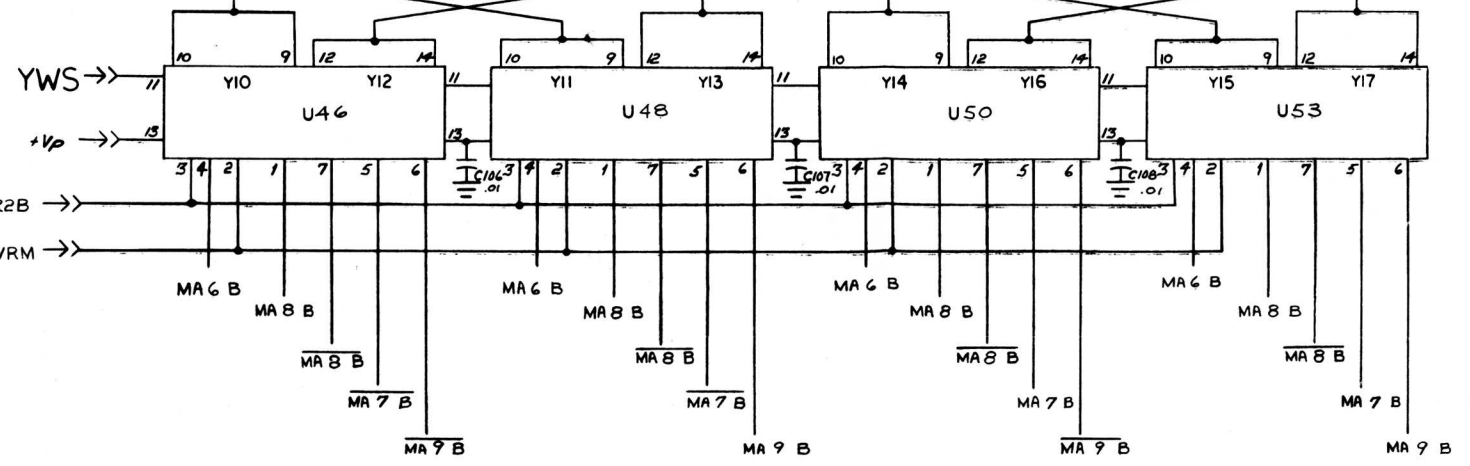
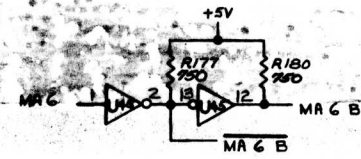
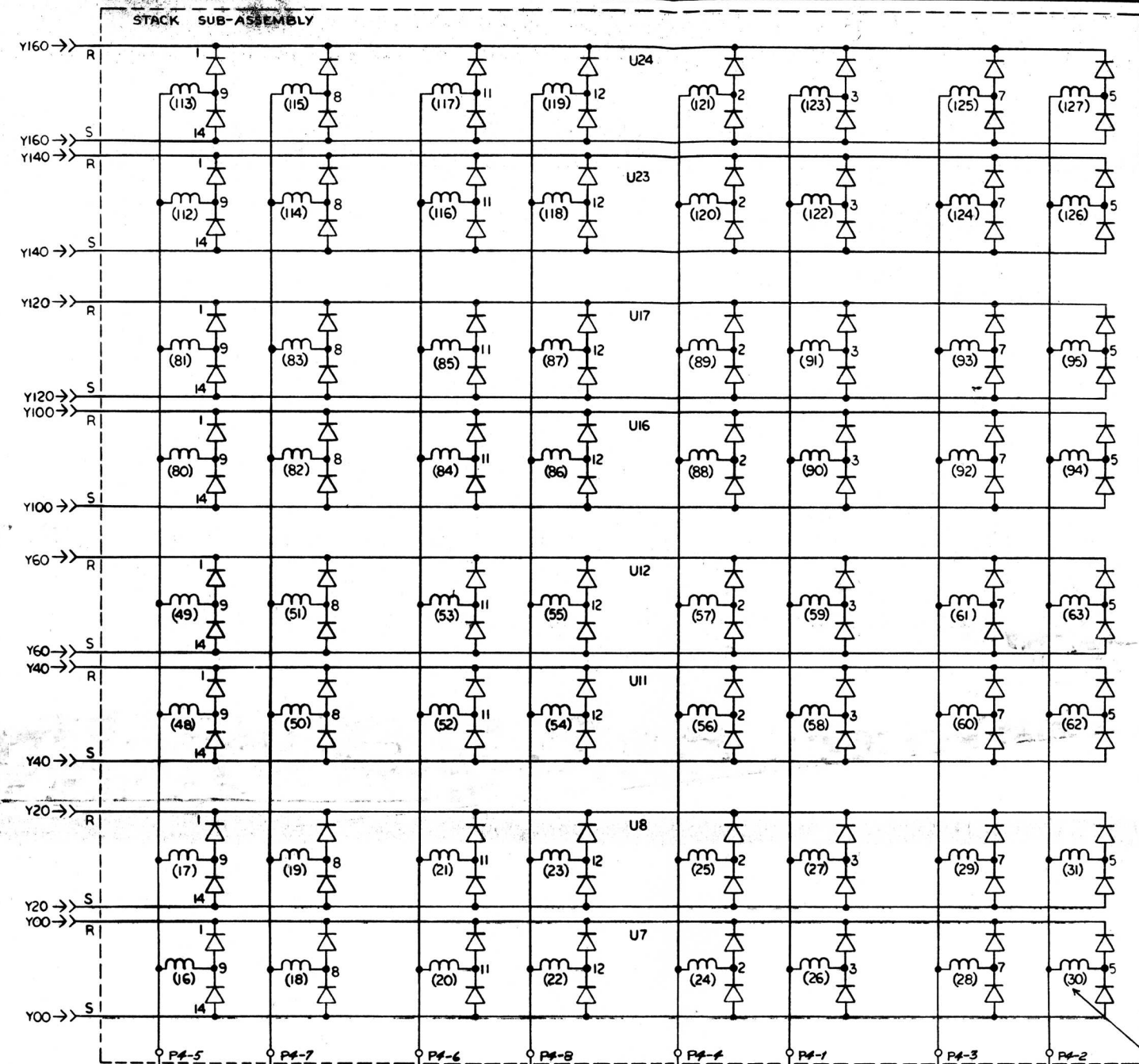
NOTE:
 4. * R172, R192, R171, C99, R193, C115 ARE NOMINAL VALUES AND MAY BE CHANGED AT TEST LEVEL.

QTY	DESCRIPTION	PART NO

UNLESS OTHERWISE SPECIFIED— DIMENSIONS ARE IN INCHES FRACTIONS DECIMALS ANGLES X.XX ± .005 X.X ± .01 PARTS TO BE FREE FROM BURRS BREAK ALL EDGES 010	DRAWN CHET JOHNSON 1/2/71	DATA GENERAL CORPORATION SOUTHBORO, MASSACHUSETTS 01772 TITLE 8K MEMORY Y DRIVERS
UNLESS OTHERWISE SPECIFIED— ALL MACH SURFACES	CHECKED	
	ENGINEER	
	APPROVED	
MATERIAL	FIRST USED ON 107-00	SIZE CODE D 001
FINISH	SCALE	DRAWING NUMBER 00C 1/1
		REV 06

THIS DRAWING AND SPECIFICATIONS, HEREIN, ARE THE PROPERTY OF DATA GENERAL CORPORATION AND SHALL NOT BE REPRODUCED OR COPIED OR USED IN WHOLE OR IN PART AS THE BASIS FOR MANUFACTURE OR SALE OF ITEMS WITHOUT WRITTEN PERMISSION.

REVISIONS				
REV.	DESCRIPTION	DRFTG.	APP BY	DATE



NOTE 1

NOTE:-
1. FOR STACK VENDOR USE ONLY.

NOTE: ALL CAPACITORS ARE IN MICROFARADS, AND ALL RESISTORS ARE IN OHMS. 1/4 WATT, WITH 5% TOLERANCE UNLESS OTHERWISE SPECIFIED.

QTY.	DESCRIPTION	PART NO.

DRAWN CHET JOHNSON 9/3/77		DATA GENERAL CORPORATION	
CHECKED		SOUTHBORO, MASSACHUSETTS 01772	
ENGINEER		TITLE	
APPROVED		8K MEMORY	
FIRST USED ON		Y DRIVERS	
107-00		SIZE	D
MATERIAL		CODE	001
FINISH		DRAWING NUMBER	000-401
SCALE		REV	06