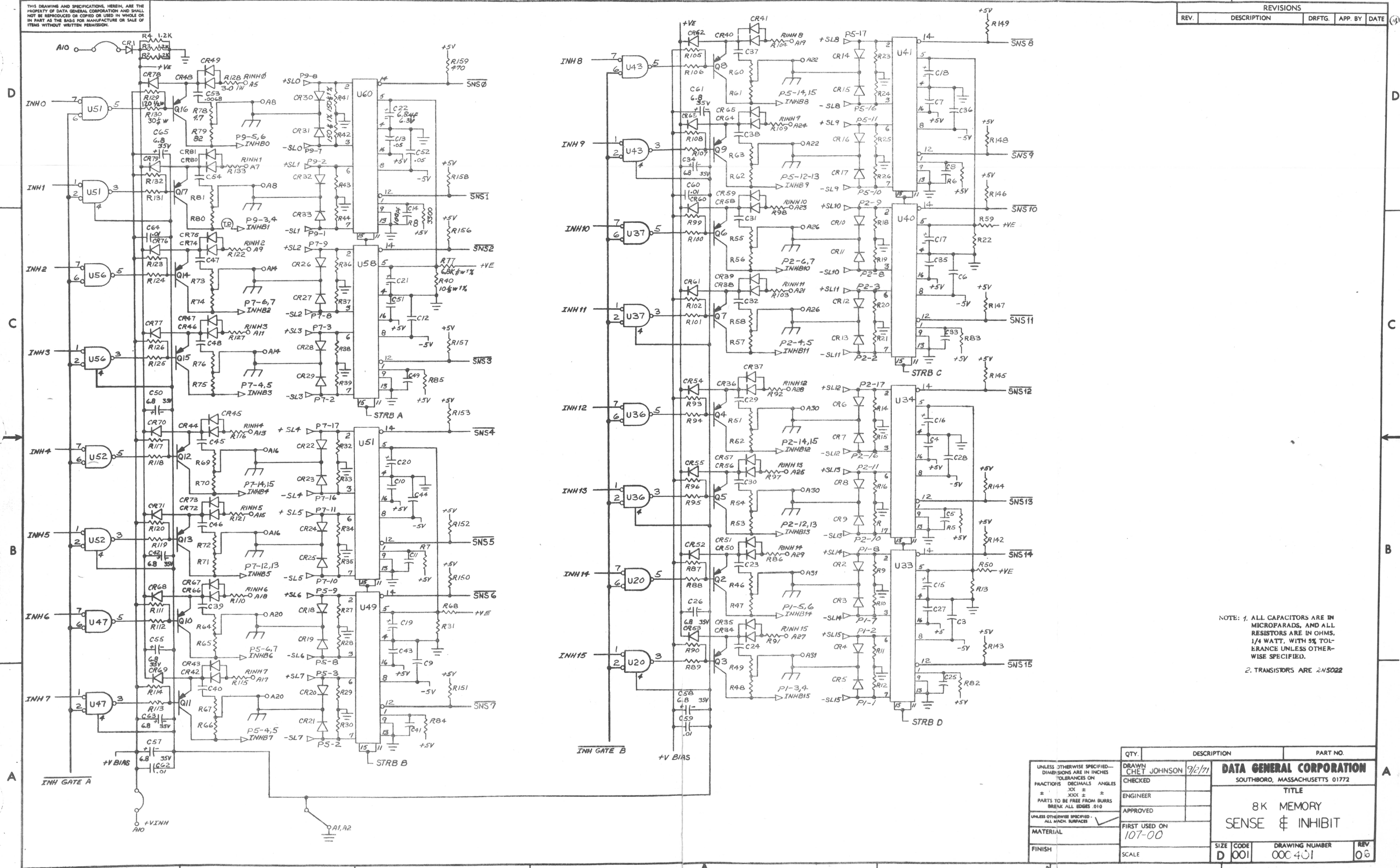




THIS DRAWING AND SPECIFICATIONS, HEREIN, ARE THE PROPERTY OF DATA GENERAL CORPORATION AND SHALL NOT BE REPRODUCED OR COPIED OR USED IN WHOLE OR IN PART AS THE BASIS FOR MANUFACTURE OR SALE OF ITEMS WITHOUT WRITTEN PERMISSION.

REVISIONS			
REV.	DESCRIPTION	DRFTG.	APP. BY DATE



NOTE: 1. ALL CAPACITORS ARE IN MICROFARADS, AND ALL RESISTORS ARE IN OHMS, 1/4 WATT, WITH 5% TOLERANCE UNLESS OTHERWISE SPECIFIED.  
2. TRANSISTORS ARE 2N5022

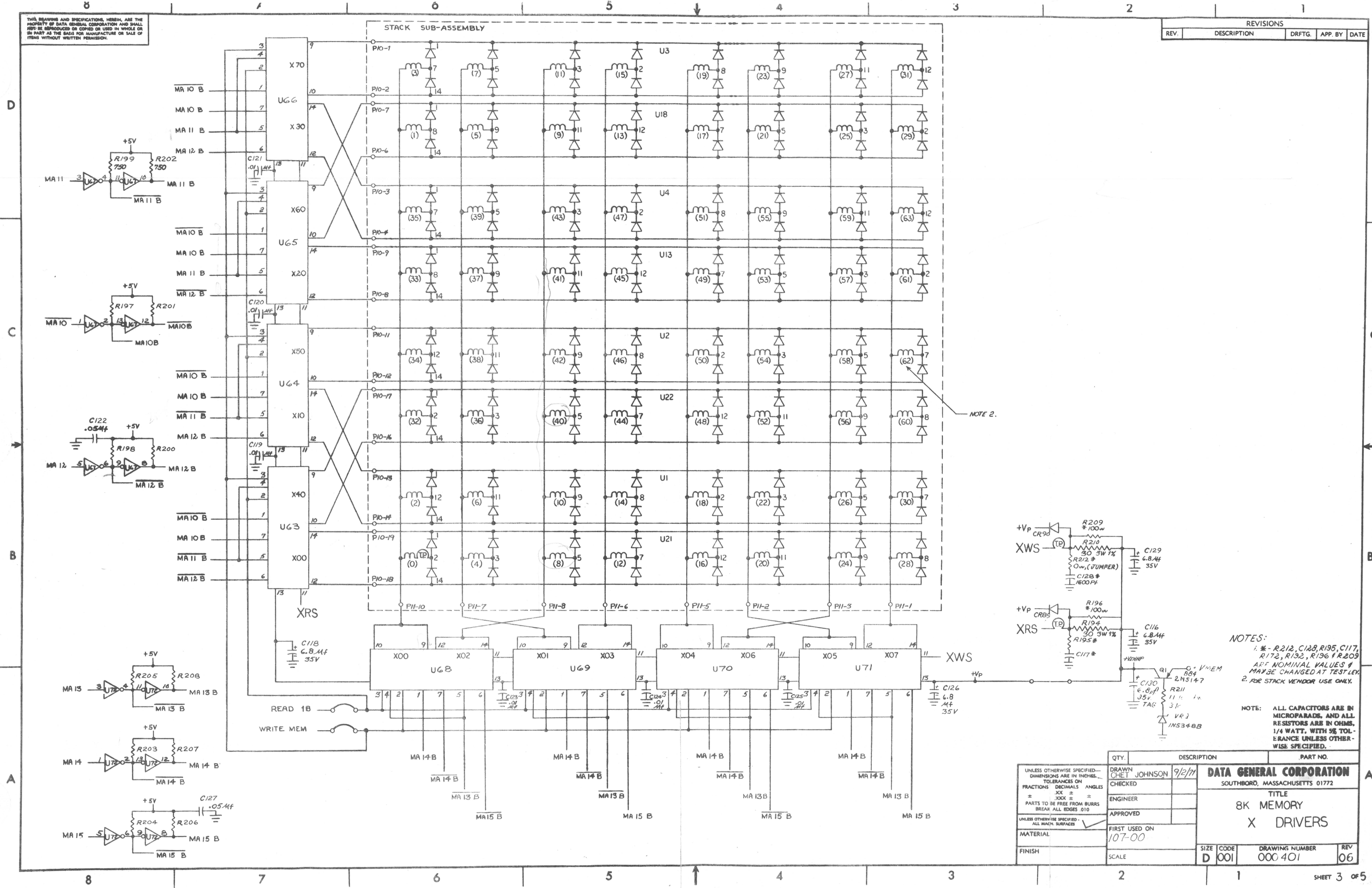
QTY.	DESCRIPTION	PART NO.

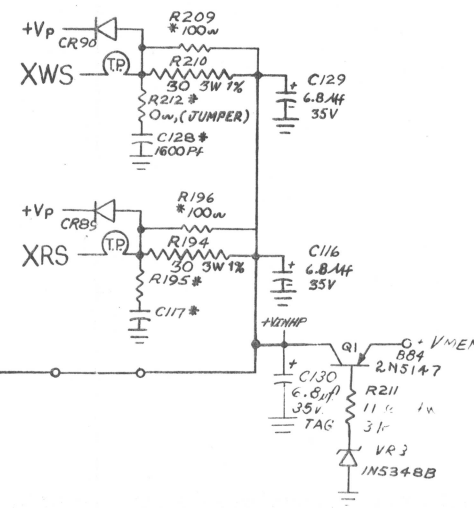
UNLESS OTHERWISE SPECIFIED— DIMENSIONS ARE IN INCHES FRACTIONS DECIMALS ANGLES ± .001 ± .005 ± .010 PARTS TO BE FREE FROM BURRS BREAK ALL EDGES .010		DRAWN CHET JOHNSON 9/2/71		<b>DATA GENERAL CORPORATION</b> SOUTHBORO, MASSACHUSETTS 01772 TITLE <b>8K MEMORY SENSE &amp; INHIBIT</b>	
UNLESS OTHERWISE SPECIFIED— ALL MACH. SURFACES		ENGINEER			
MATERIAL		APPROVED		FIRST USED ON 107-00	
FINISH		SCALE		SIZE CODE D 001	
				DRAWING NUMBER 00C 401	
				REV 06	

THIS DRAWING AND SPECIFICATIONS, HEREIN, ARE THE PROPERTY OF DATA GENERAL CORPORATION AND SHALL NOT BE REPRODUCED OR COPIED OR USED IN WHOLE OR IN PART AS THE BASIS FOR MANUFACTURE OR SALE OF ITEMS WITHOUT WRITTEN PERMISSION.

REVISIONS				
REV.	DESCRIPTION	DRFTG.	APP. BY	DATE



NOTE 2.



NOTES:  
 1. \* - R212, C128, R195, C117, R172, R192, R196 & R209 ARE NOMINAL VALUES & MAY BE CHANGED AT TEST LEVEL 2. FOR STACK VENDOR USE ONLY.

NOTE: ALL CAPACITORS ARE IN MICROFARADS, AND ALL RESISTORS ARE IN OHMS, 1/4 WATT, WITH 5% TOLERANCE UNLESS OTHERWISE SPECIFIED.

QTY.	DESCRIPTION	PART NO.

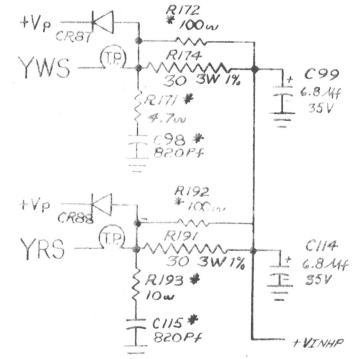
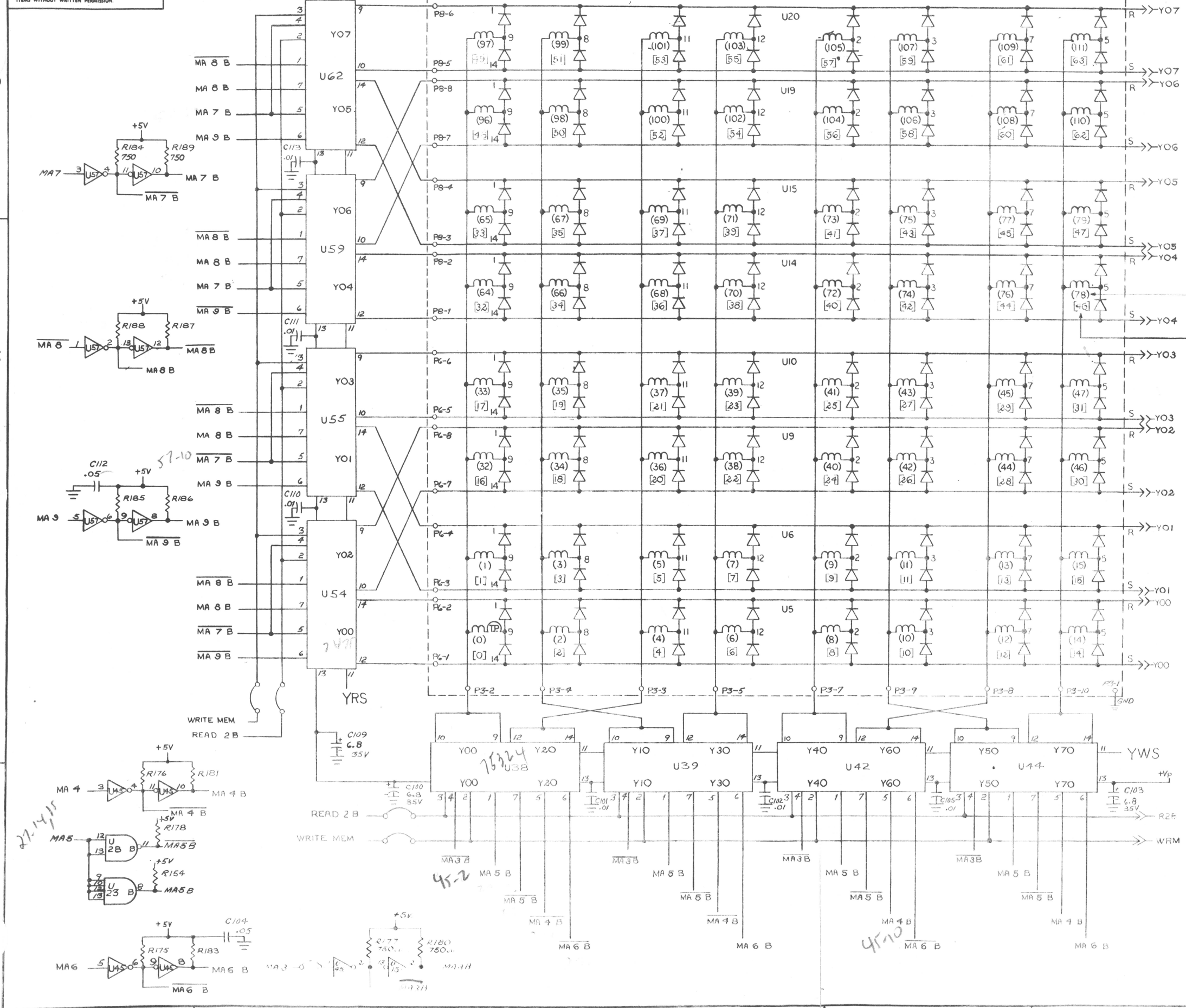
  

UNLESS OTHERWISE SPECIFIED— DIMENSIONS ARE IN INCHES— TOLERANCES ON FRACTIONS DECIMALS ANGLES XX ± XXX ± PARTS TO BE FREE FROM BURRS BREAK ALL EDGES .010	DRAWN CHET JOHNSON 9/2/71 CHECKED	<b>DATA GENERAL CORPORATION</b> SOUTHBORO, MASSACHUSETTS 01772
UNLESS OTHERWISE SPECIFIED— ALL MACH. SURFACES	ENGINEER APPROVED	TITLE <b>8K MEMORY X DRIVERS</b>
MATERIAL	FIRST USED ON 107-00	SIZE CODE D 001
FINISH	SCALE	DRAWING NUMBER 000 401
		REV 06

THIS DRAWING AND SPECIFICATIONS, HEREIN, ARE THE PROPERTY OF DATA GENERAL CORPORATION AND SHALL NOT BE REPRODUCED OR COPIED OR USED IN WHOLE OR IN PART AS THE BASIS FOR MANUFACTURE OR SALE OF ITEMS WITHOUT WRITTEN PERMISSION.

REVISIONS				
REV.	DESCRIPTION	DRFTG.	APP. BY	DATE

STACK SUB-ASSEMBLY



NOTE 2  
NOTE 3

- NOTE:
1. FOR STACK VENDOR USE ONLY.
  2. (N) FOR STACK VENDOR USE ONLY ON BY STACK WIRING.
  3. (L) FOR STACK VENDOR USE ONLY ON BY STACK WIRING.
- S = SOURCE  
R = RETURN

NOTE: ALL CAPACITORS ARE IN MICROFARADS, AND ALL RESISTORS ARE IN OHMS, 1/4 WATT, WITH 5% TOLERANCE UNLESS OTHERWISE SPECIFIED.

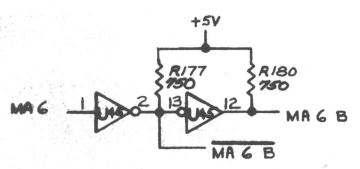
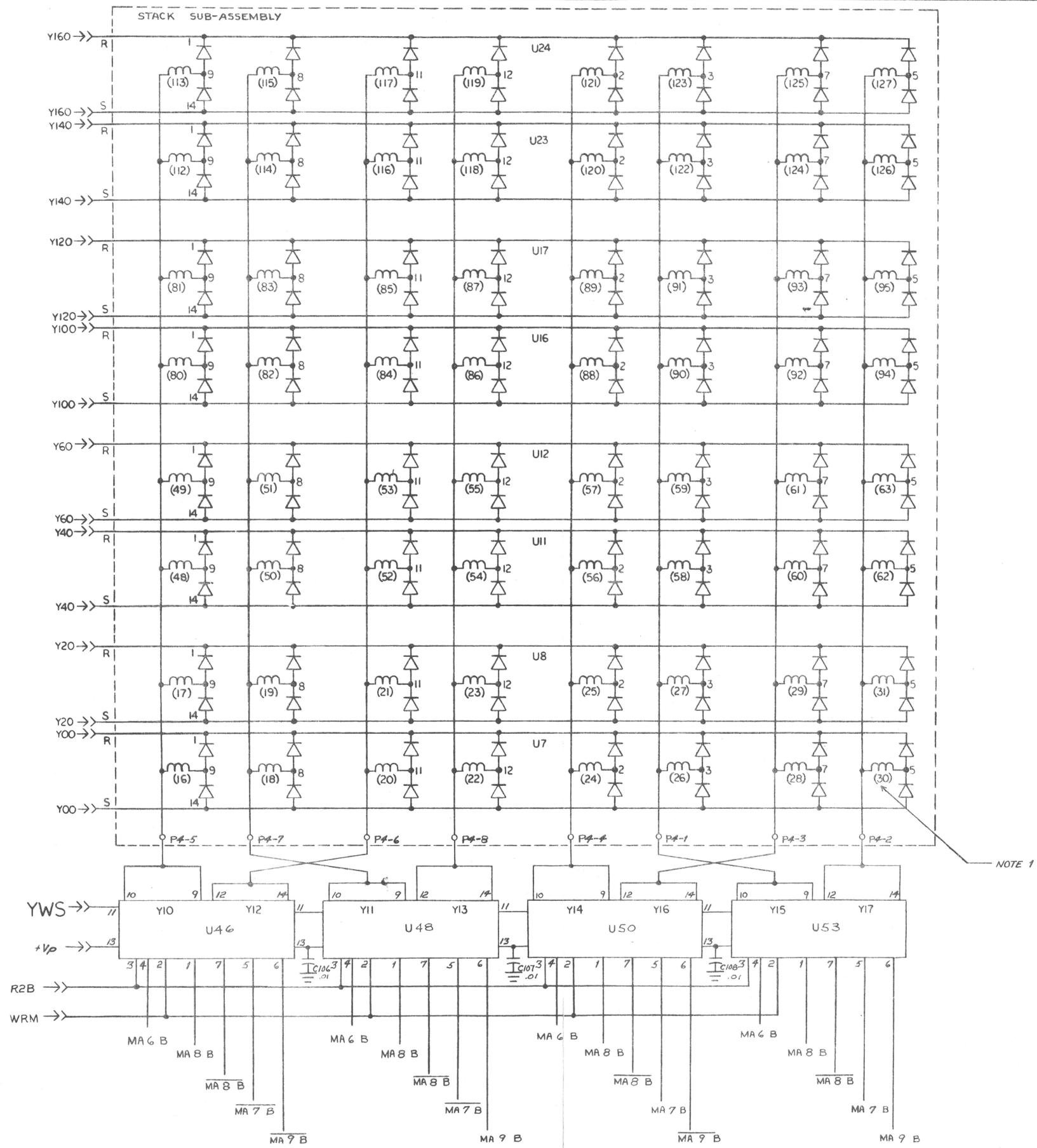
NOTE:  
4. \* R172, R192, R171, C99, R193 & C115 ARE NOMINAL VALUES AND MAY BE CHANGED AT TEST LEVEL.

QTY	DESCRIPTION	PART NO.

UNLESS OTHERWISE SPECIFIED— DIMENSIONS ARE IN INCHES TOLERANCES ON FRACTIONS DECIMALS ANGLES XX ± PARTS TO BE FREE FROM BURRS BREAK ALL EDGES .010	DRAWN CHET JOHNSON 7/3/71	DATA GENERAL CORPORATION SOUTHBORO, MASSACHUSETTS 01772
UNLESS OTHERWISE SPECIFIED— ALL MACH SURFACES	ENGINEER APPROVED FIRST USED ON 107-00	
MATERIAL	FINISH	TITLE 8K MEMORY Y DRIVERS
		SIZE CODE D 001
		DRAWING NUMBER 000-101
		REV 06

THIS DRAWING AND SPECIFICATIONS HEREIN ARE THE PROPERTY OF DATA GENERAL CORPORATION AND SHALL NOT BE REPRODUCED OR COPIED OR USED IN WHOLE OR IN PART AS THE BASIS FOR MANUFACTURE OR SALE OF ITEMS WITHOUT WRITTEN PERMISSION.

REVISIONS			
REV.	DESCRIPTION	DRFTG.	APP BY DATE



NOTE 1

NOTE:-  
1. FOR STACK VENDOR USE ONLY.

NOTE: ALL CAPACITORS ARE IN MICROFARADS, AND ALL RESISTORS ARE IN OHMS. 1/4 WATT, WITH 5% TOLERANCE UNLESS OTHERWISE SPECIFIED.

QTY.	DESCRIPTION	PART NO.

UNLESS OTHERWISE SPECIFIED— DIMENSIONS ARE IN INCHES TOLERANCES ON FRACTIONS DECIMALS ANGLES ± .005 ± .010 ± .015 PARTS TO BE FREE FROM BURRS BREAK ALL EDGES .010	DRAWN C.H.T. JOHNSON 9/5/71	<b>DATA GENERAL CORPORATION</b> SOUTHBORO, MASSACHUSETTS 01772
UNLESS OTHERWISE SPECIFIED— ALL MACH. SURFACES	CHECKED	TITLE 8K MEMORY Y DRIVERS
MATERIAL	ENGINEER	SIZE CODE D 001
FINISH	APPROVED	DRAWING NUMBER 000-401
	FIRST USED ON 107-00	REV 06
	SCALE	