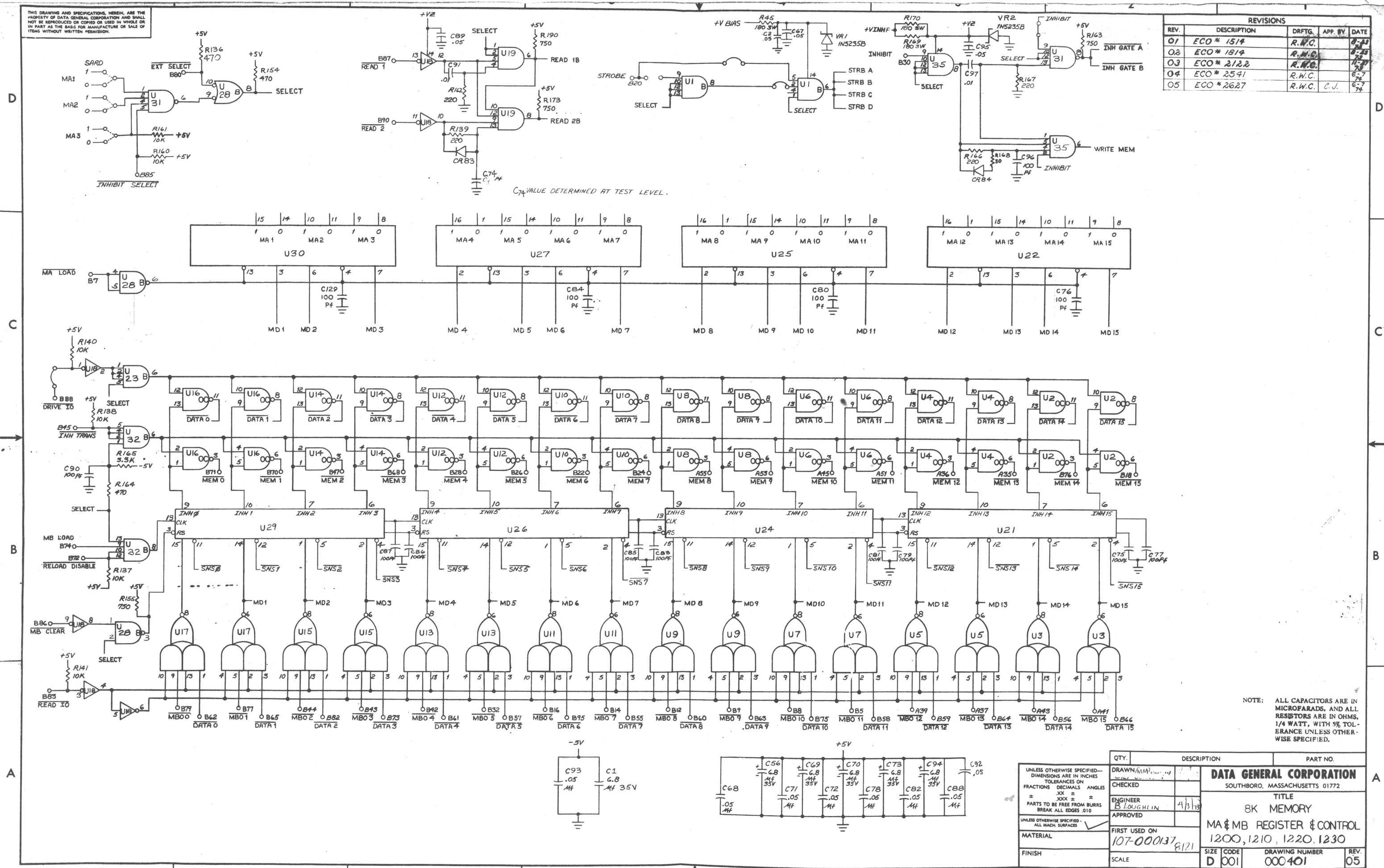


THIS DRAWING AND SPECIFICATIONS, HEREIN, ARE THE PROPERTY OF DATA GENERAL CORPORATION AND SHALL NOT BE REPRODUCED OR COPIED OR USED IN WHOLE OR IN PART AS THE BASIS FOR MANUFACTURE OR SALE OF ITEMS WITHOUT WRITTEN PERMISSION.

REVISIONS				
REV.	DESCRIPTION	DRFTG.	APP. BY	DATE
01	ECO * 1514	R.W.C.		4-73
02	ECO * 1514	R.W.C.		8-73
03	ECO * 2122	R.W.C.		12-73
04	ECO * 2591	R.W.C.		6-74
05	ECO * 2627	R.W.C.	C.J.	6-74



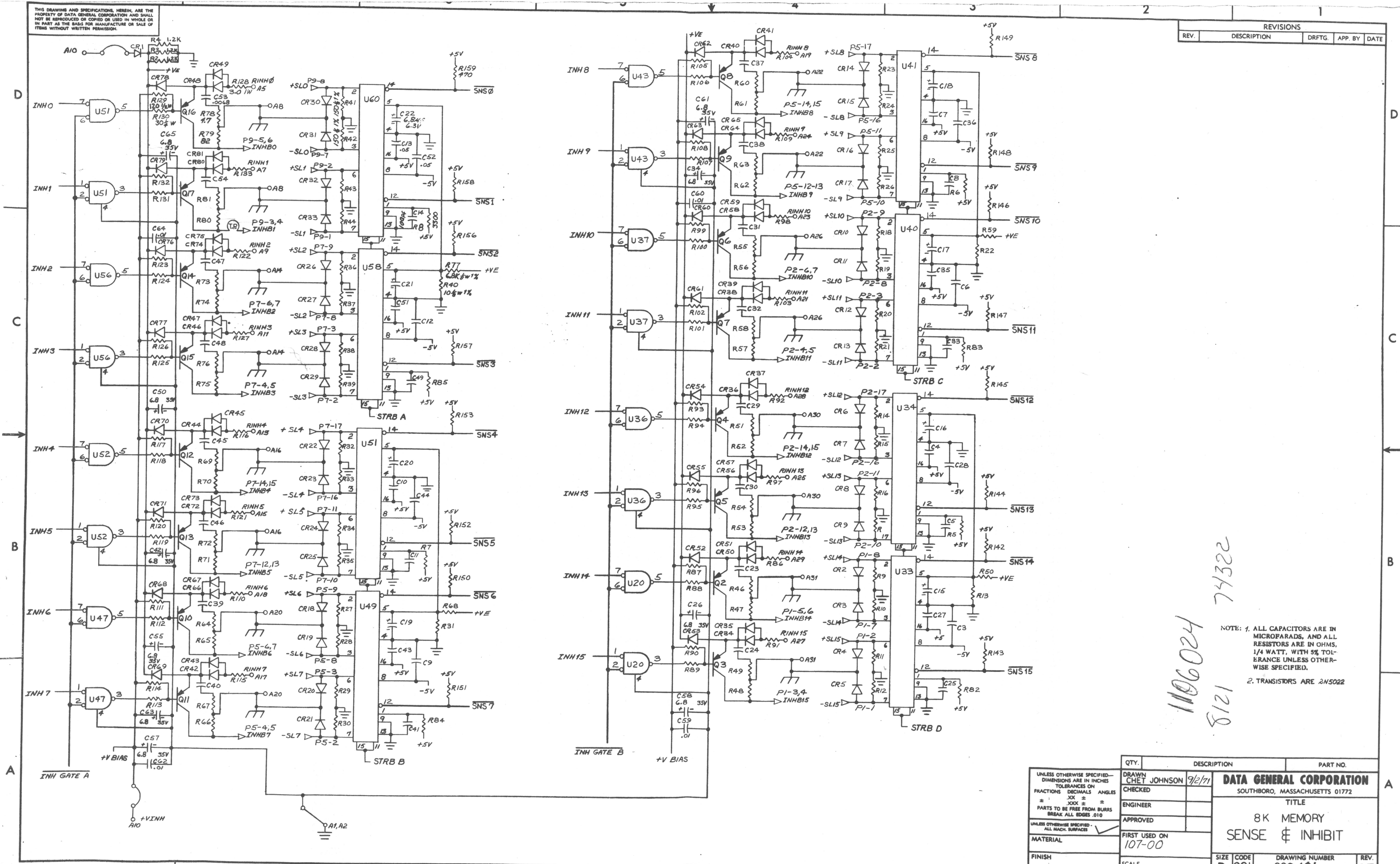
NOTE: ALL CAPACITORS ARE IN MICROFARADS, AND ALL RESISTORS ARE IN OHMS. 1/4 WATT, WITH 5% TOLERANCE UNLESS OTHERWISE SPECIFIED.

QTY.	DESCRIPTION	PART NO.
DRAWN	4/13/78	
CHECKED		
ENGINEER	B. LOUGHLIN	
APPROVED		
FIRST USED ON	107-000137	
MATERIAL		
FINISH		

DATA GENERAL CORPORATION SOUTH BORO, MASSACHUSETTS 01772			
TITLE			
8K MEMORY			
MA & MB REGISTER & CONTROL			
1200, 1210, 1220, 1230			
SIZE	CODE	DRAWING NUMBER	REV.
D	001	000401	05

THIS DRAWING AND SPECIFICATIONS, HEREIN, ARE THE PROPERTY OF DATA GENERAL CORPORATION AND SHALL NOT BE REPRODUCED OR COPIED OR USED IN WHOLE OR IN PART AS THE BASIS FOR MANUFACTURE OR SALE OF ITEMS WITHOUT WRITTEN PERMISSION.

REVISIONS			
REV.	DESCRIPTION	DRFTG.	APP. BY DATE



1106024
 8121 74322

NOTE: 1. ALL CAPACITORS ARE IN MICROFARADS, AND ALL RESISTORS ARE IN OHMS, 1/4 WATT, WITH 5% TOLERANCE UNLESS OTHERWISE SPECIFIED.
 2. TRANSISTORS ARE 2N5022

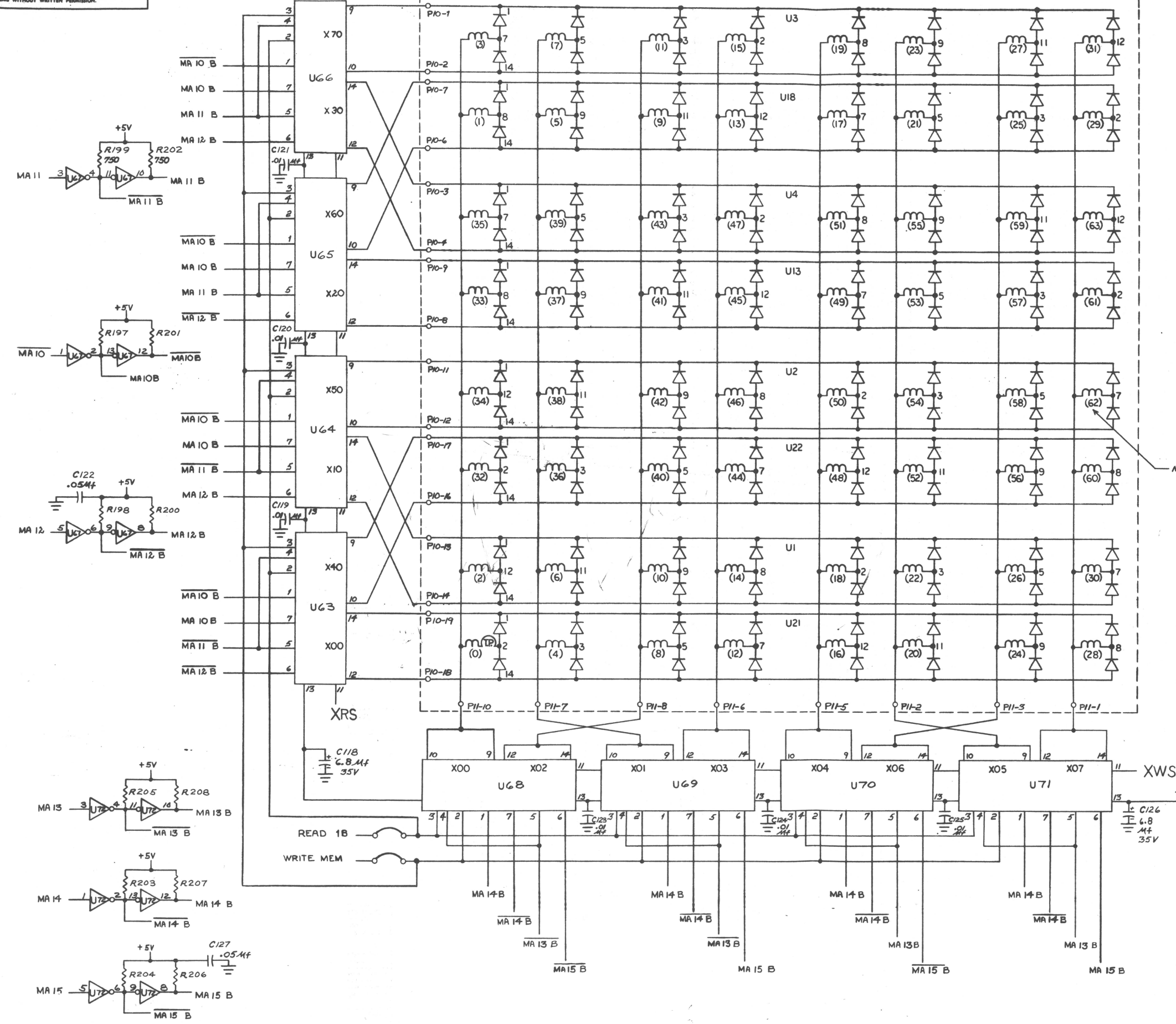
QTY.	DESCRIPTION	PART NO.

UNLESS OTHERWISE SPECIFIED—DIMENSIONS ARE IN INCHES FRACTIONS DECIMALS ANGLES JOK ± PARTS TO BE FREE FROM BURRS BREAK ALL EDGES .010 UNLESS OTHERWISE SPECIFIED ALL MACH. SURFACES	DRAWN CHET JOHNSON 9/2/71 CHECKED ENGINEER APPROVED FIRST USED ON 107-00 MATERIAL FINISH	DATA GENERAL CORPORATION SOUTHBORO, MASSACHUSETTS 01772 TITLE 8K MEMORY SENSE & INHIBIT SIZE CODE D 001 DRAWING NUMBER 000 401 REV. 05
---	--	--

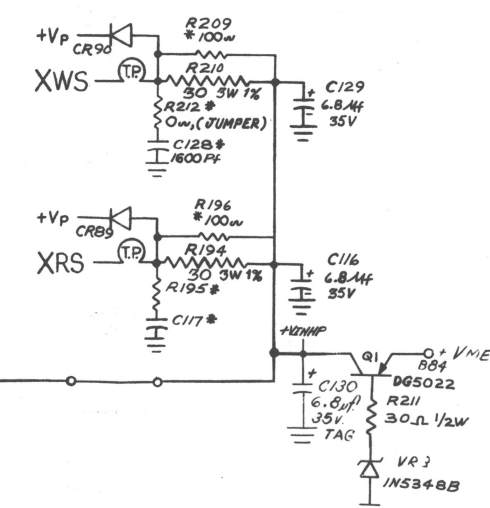
THIS DRAWING AND SPECIFICATIONS HEREIN ARE THE PROPERTY OF DATA GENERAL CORPORATION AND SHALL NOT BE REPRODUCED OR COPIED OR USED IN WHOLE OR IN PART AS THE BASIS FOR MANUFACTURE OR SALE OF ITEMS WITHOUT WRITTEN PERMISSION.

REVISIONS				
REV.	DESCRIPTION	DRFTG.	APP. BY	DATE

STACK SUB-ASSEMBLY



NOTE 2.



NOTES:
 1. * - R212, C128, R195, C117, R172, R192, R196 & R209 ARE NOMINAL VALUES & MAY BE CHANGED AT TEST LER.
 2. FOR STACK VENDOR USE ONLY.

NOTE: ALL CAPACITORS ARE IN MICROFARADS, AND ALL RESISTORS ARE IN OHMS, 1/4 WATT, WITH 5% TOLERANCE UNLESS OTHERWISE SPECIFIED.

UNLESS OTHERWISE SPECIFIED— DIMENSIONS ARE IN INCHES— TOLERANCES ON FRACTIONS DECIMALS ANGLES X.XX ± PARTS TO BE FREE FROM BURRS BREAK ALL EDGES .010	QTY.	DESCRIPTION	PART NO.
	CHECKED		
UNLESS OTHERWISE SPECIFIED— ALL MACH. SURFACES	ENGINEER		
	APPROVED		
	FIRST USED ON	107-00	
	SCALE		
	SIZE	CODE	DRAWING NUMBER
	D	001	000 401
			REV.
			05