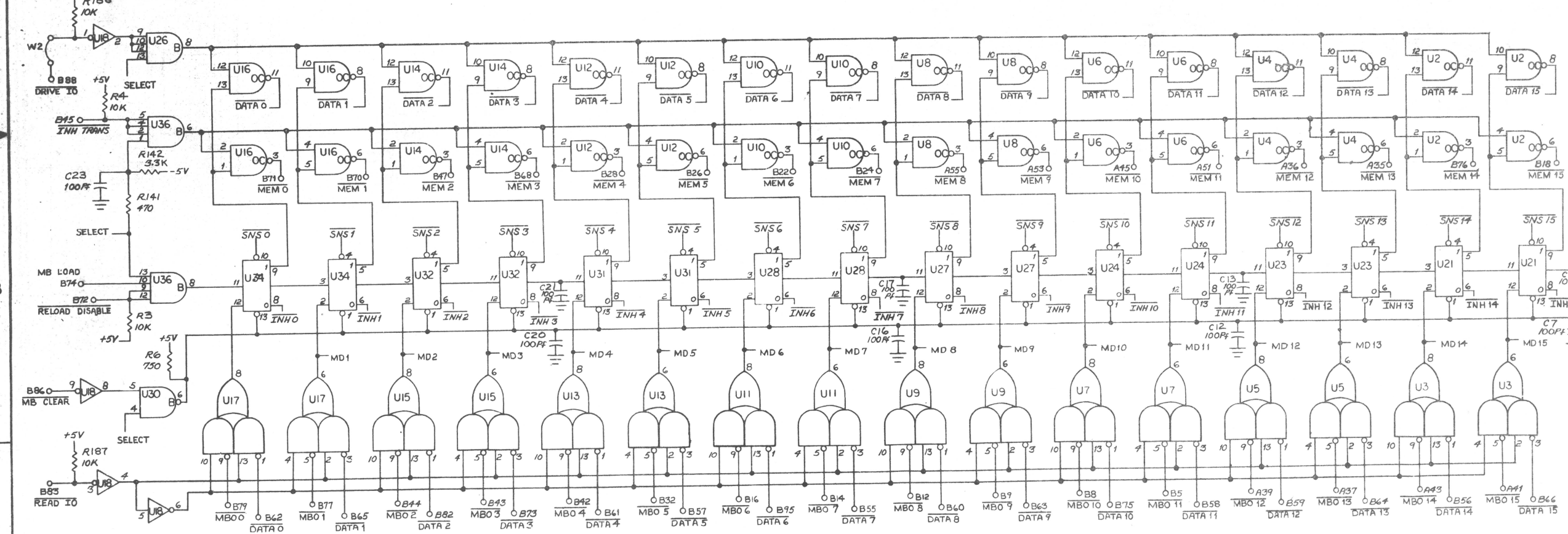
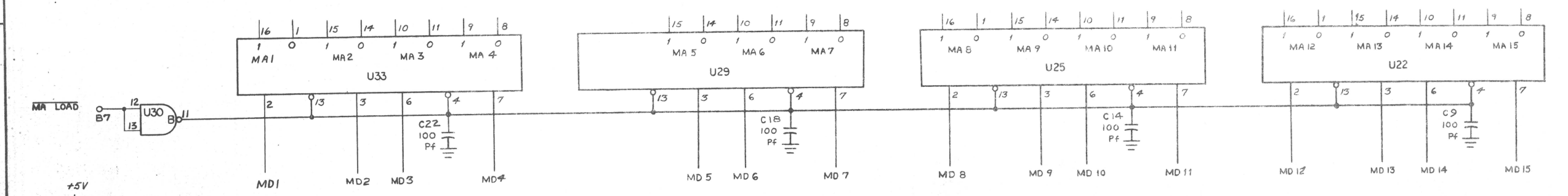
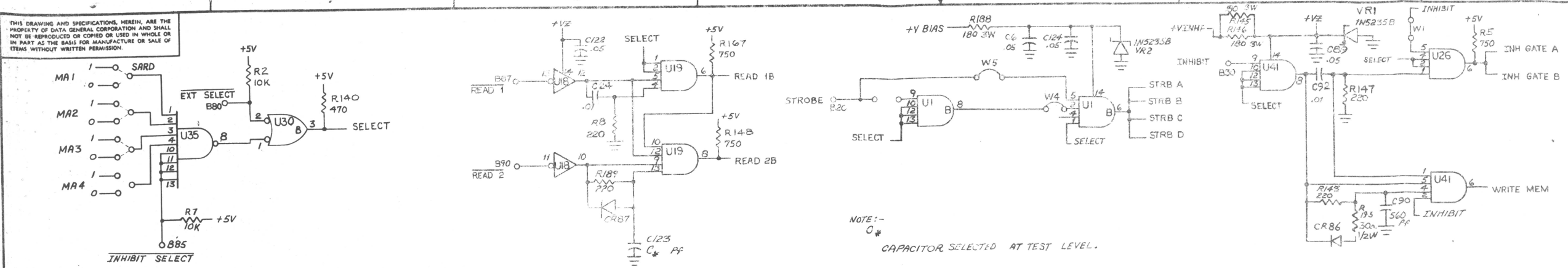
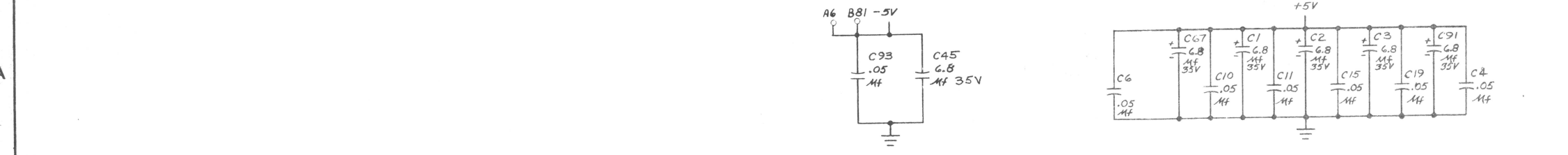


THIS DRAWING AND SPECIFICATIONS HEREIN ARE THE PROPERTY OF DATA GENERAL CORPORATION AND SHALL NOT BE REPRODUCED OR COPIED OR USED IN WHOLE OR IN PART AS THE BASIS FOR MANUFACTURE OR SALE OF ITEMS WITHOUT WRITTEN PERMISSION.

REVISIONS				
REV	DESCRIPTION	DRFTG	APP BY	DATE
01	ECO # 1814	R.W.C.		8-83
02	ECO # 2541	G.W.M.		7-76
03	ECO # 2644	G.W.M.		7-76



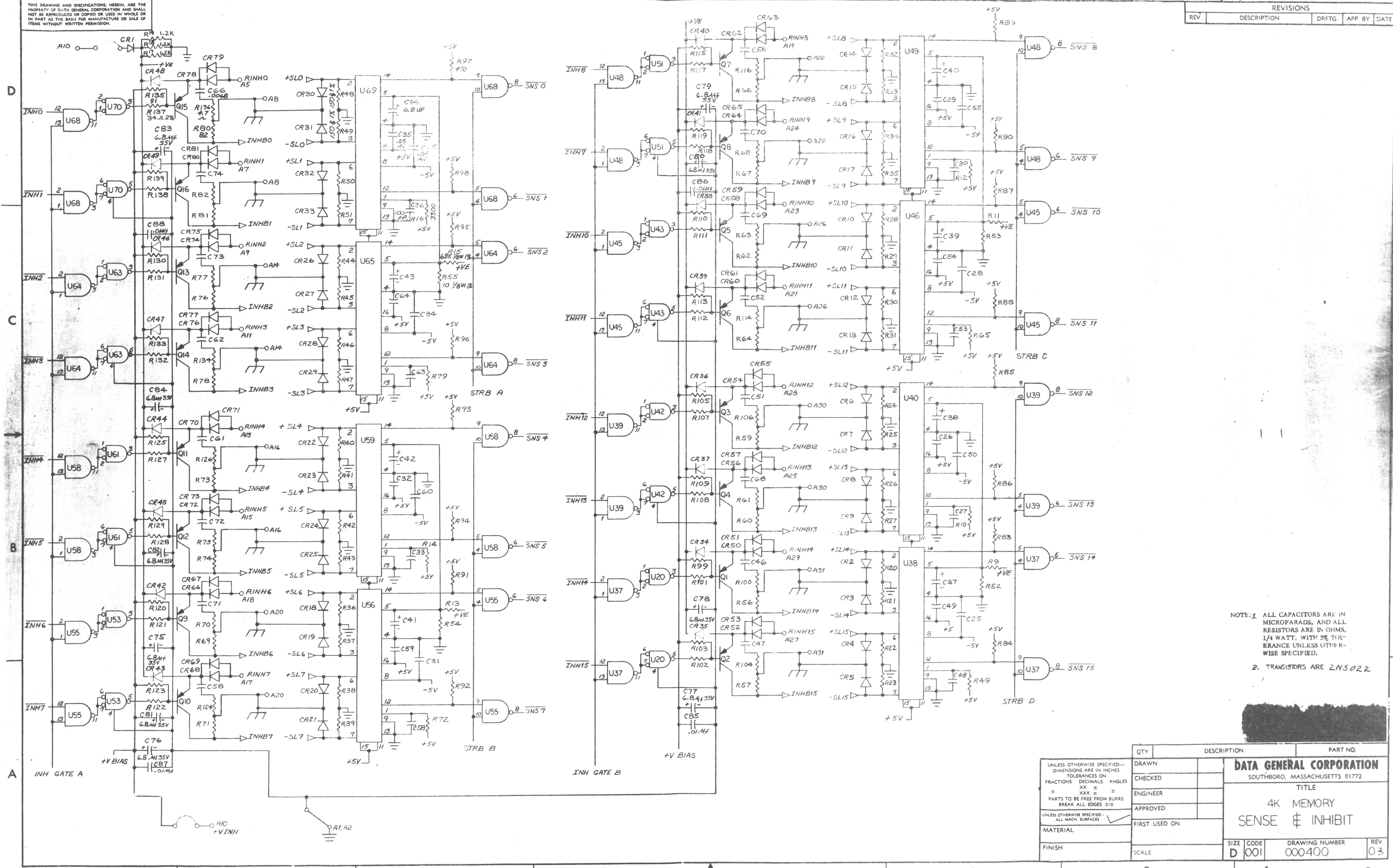
NOTE: ALL CAPACITORS ARE IN MICROFARADS, AND ALL RESISTORS ARE IN OHMS, 1/4 WATT, WITH 5% TOLERANCE UNLESS OTHERWISE SPECIFIED.



QTY.	DESCRIPTION	PART NO.
<b>DATA GENERAL CORPORATION</b> SOUTHBORO, MASSACHUSETTS 01772		
TITLE		
4K MEMORY		
MA & MB REGISTER & CONTROL		
1200, 10, 20, 30		
MATERIAL	SCALE	REV
FINISH	SCALE	03

THIS DRAWING AND SPECIFICATIONS, HEREIN, ARE THE PROPERTY OF DATA GENERAL CORPORATION AND SHALL NOT BE REPRODUCED OR COPIED OR USED IN WHOLE OR IN PART AS THE BASIS FOR MANUFACTURE OR SALE OF ITEMS WITHOUT WRITTEN PERMISSION.

REVISIONS				
REV.	DESCRIPTION	DRFTG.	APP. BY	DATE



NOTE: 1. ALL CAPACITORS ARE IN MICROFARADS, AND ALL RESISTORS ARE IN OHMS, 1/4 WATT, WITH 5% TOLERANCE UNLESS OTHERWISE SPECIFIED.  
 2. TRANSISTORS ARE 2N5022

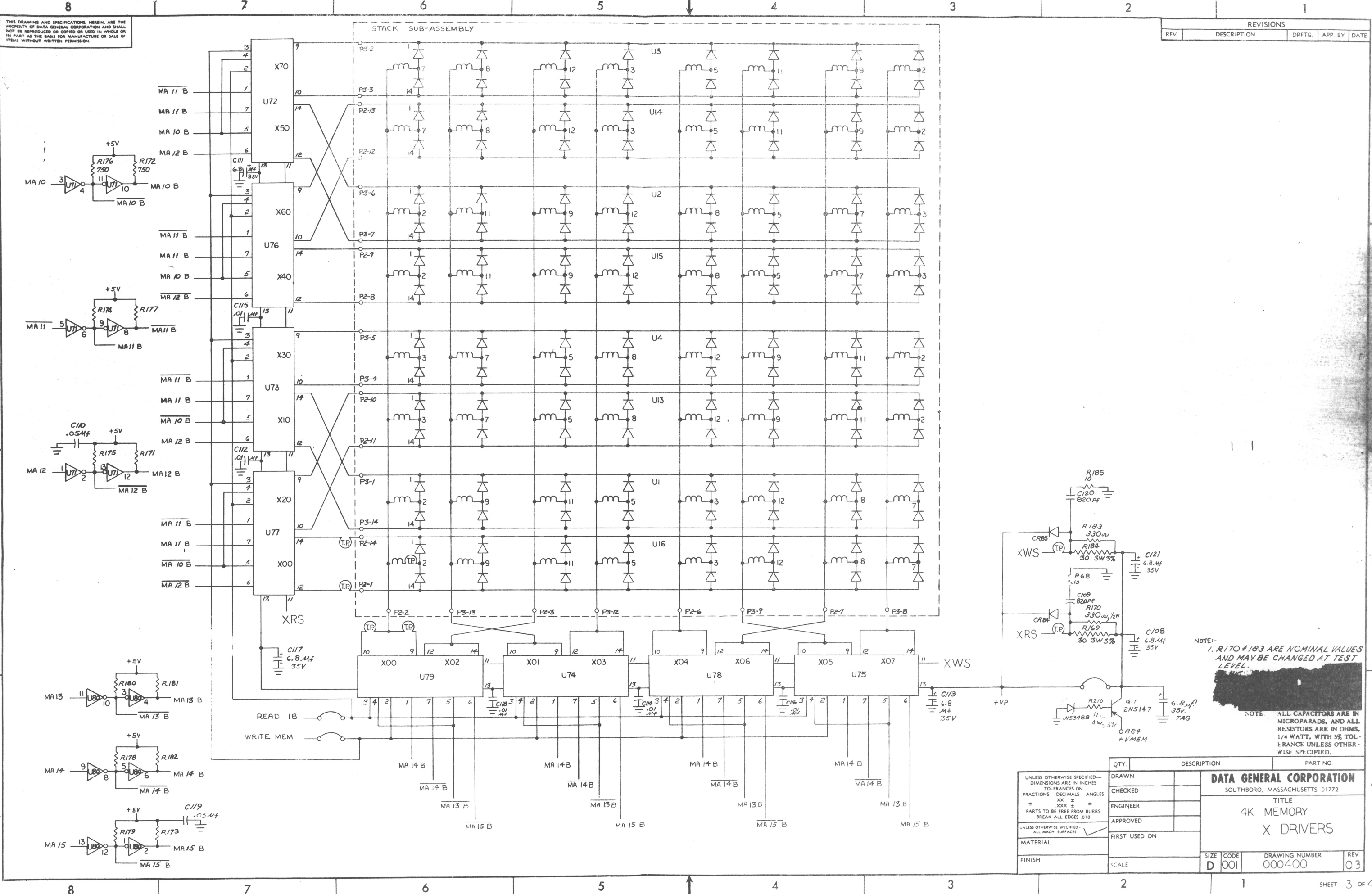
QTY	DESCRIPTION	PART NO.

UNLESS OTHERWISE SPECIFIED— DIMENSIONS ARE IN INCHES TOLERANCES ON FRACTIONS DECIMALS ANGLES XX ± XXX ± PARTS TO BE FREE FROM BURRS BREAK ALL EDGES 010		<b>DATA GENERAL CORPORATION</b> SOUTHBORO, MASSACHUSETTS 01772  <b>TITLE</b> 4K MEMORY SENSE & INHIBIT
CHECKED		
ENGINEER		
APPROVED		
UNLESS OTHERWISE SPECIFIED— ALL MACH. SURFACES		FIRST USED ON
MATERIAL		
FINISH		
SCALE		

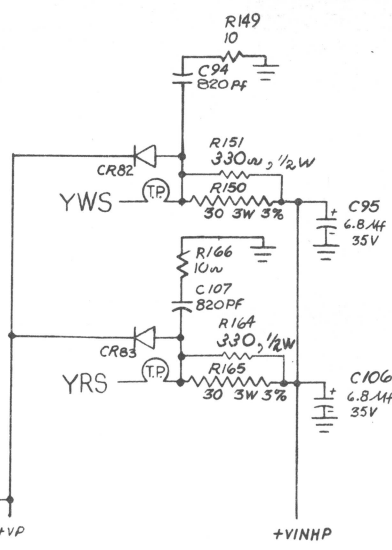
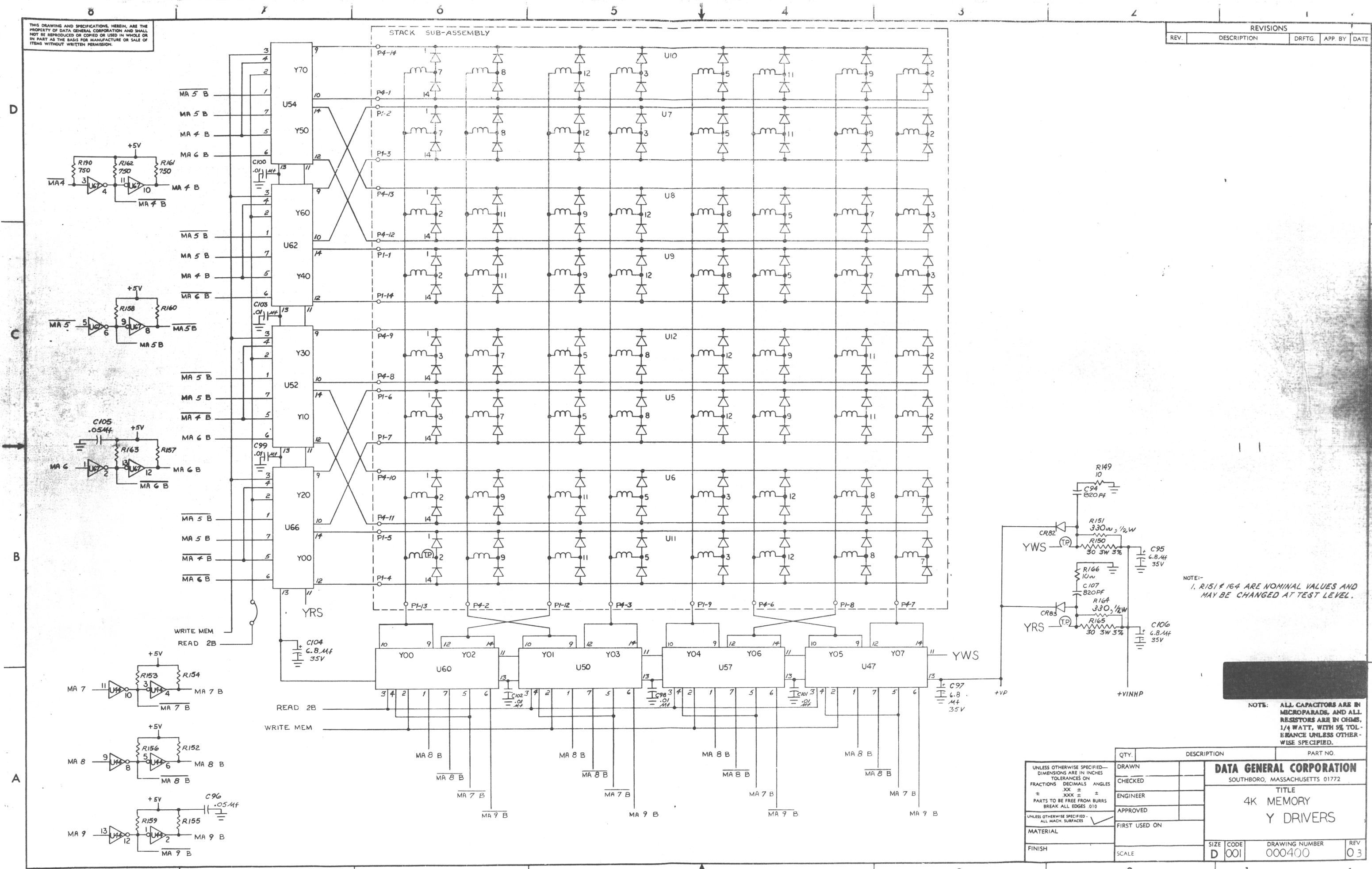
  

SIZE	CODE	DRAWING NUMBER	REV
D	001	000400	03



THIS DRAWING AND SPECIFICATIONS, HEREIN, ARE THE PROPERTY OF DATA GENERAL CORPORATION AND SHALL NOT BE REPRODUCED OR COPIED OR USED IN WHOLE OR IN PART AS THE BASIS FOR MANUFACTURE OR SALE OF ITEMS WITHOUT WRITTEN PERMISSION.

REVISIONS				
REV.	DESCRIPTION	DRFTG.	APP BY	DATE



NOTE: 1. R151 & R164 ARE NOMINAL VALUES AND MAY BE CHANGED AT TEST LEVEL.

NOTE: ALL CAPACITORS ARE IN MICROFARADS, AND ALL RESISTORS ARE IN OHMS, 1/4 WATT, WITH 5% TOLERANCE UNLESS OTHERWISE SPECIFIED.

QTY.	DESCRIPTION	PART NO.

UNLESS OTHERWISE SPECIFIED—DIMENSIONS ARE IN INCHES TOLERANCES ON FRACTIONS DECIMALS ANGLES XX ± XXX ± PARTS TO BE FREE FROM BURRS BREAK ALL EDGES .010		<b>DATA GENERAL CORPORATION</b> SOUTHBORO, MASSACHUSETTS 01772	
MATERIAL		TITLE <b>4K MEMORY Y DRIVERS</b>	
FINISH		SIZE D	CODE 001
DRAWN		DRAWING NUMBER 000400	
CHECKED		REV 03	
ENGINEER			
APPROVED			
FIRST USED ON			
SCALE			