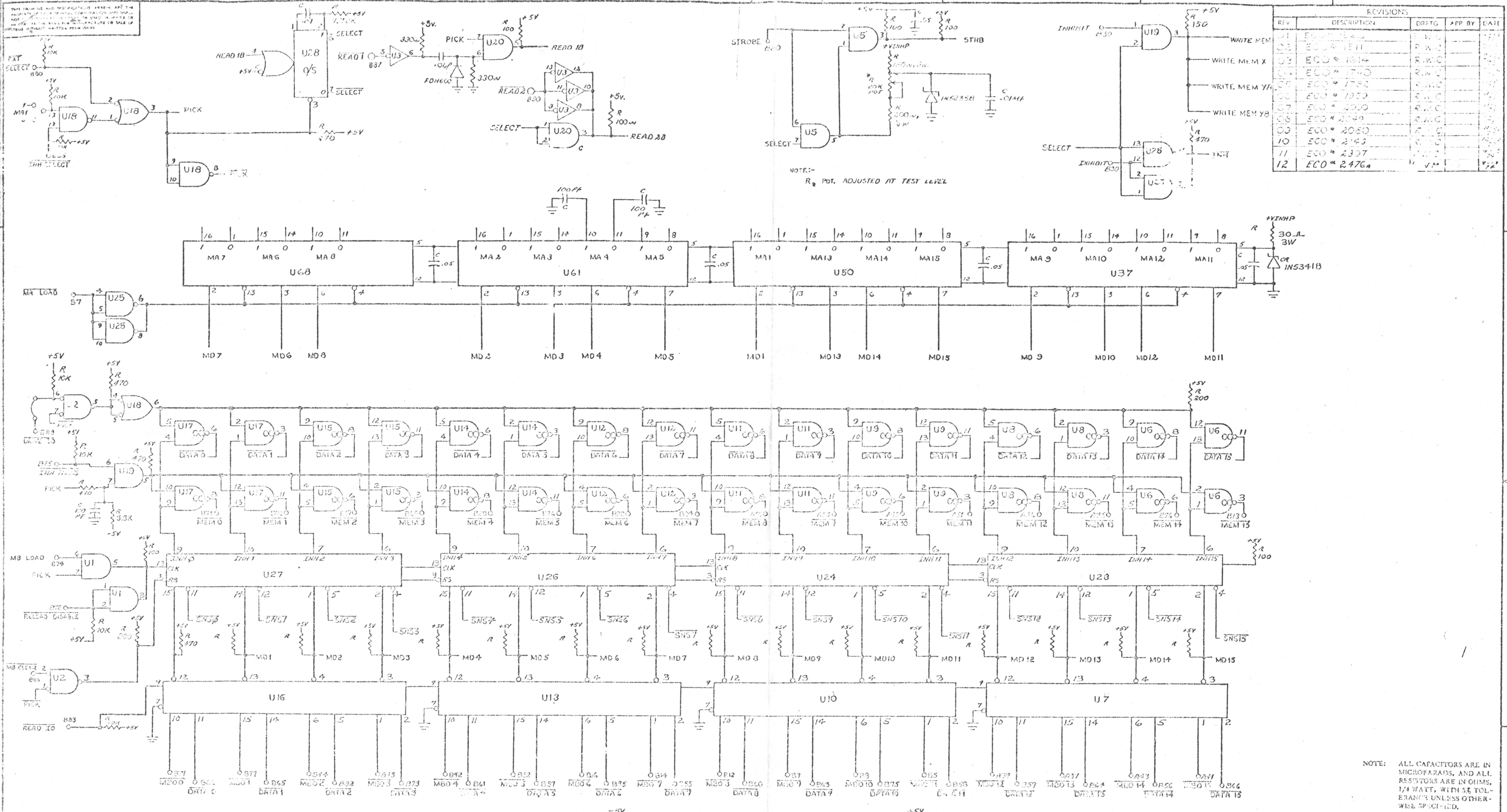
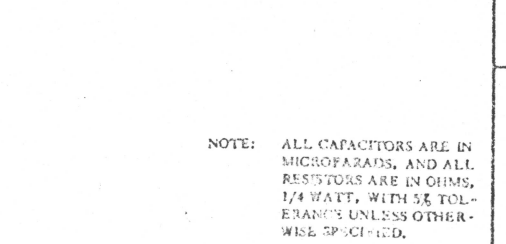


THIS DRAWING AND SPECIFICATION ARE THE PROPERTY OF DATA GENERAL CORPORATION AND SHALL NOT BE REPRODUCED OR TRANSMITTED IN ANY FORM OR BY ANY MEANS, ELECTRONIC OR MECHANICAL, INCLUDING PHOTOCOPYING, RECORDING, OR BY ANY INFORMATION STORAGE AND RETRIEVAL SYSTEM, WITHOUT EXPRESS PERMISSION.



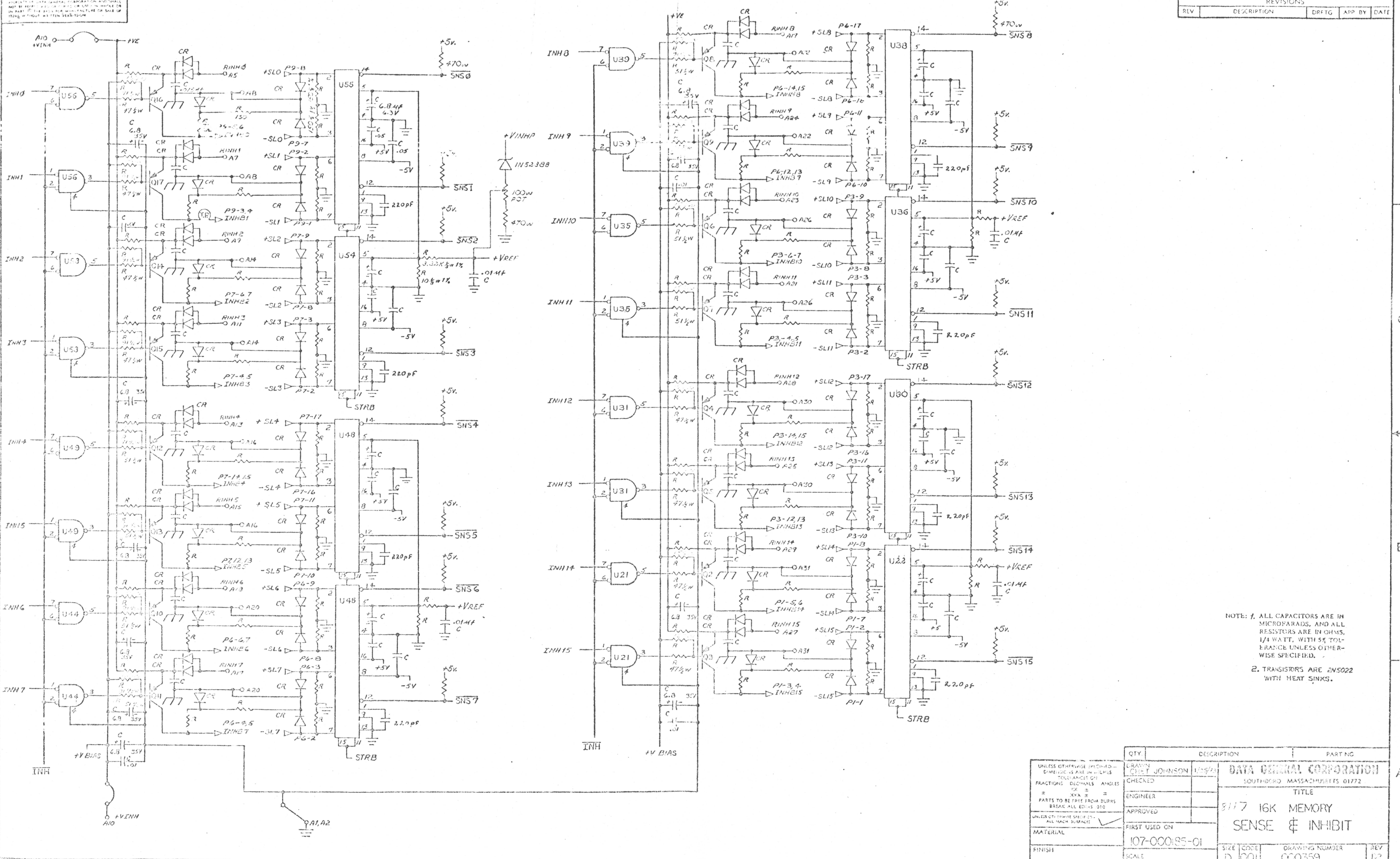
REVISIONS				
REV	DESCRIPTION	DRFTG	APP BY	DATE
01	ECO # 1825	R.W.C.		
02	ECO # 1811	R.W.C.		
03	ECO # 1814	R.W.C.		
04	ECO # 17-0	R.W.C.		
05	ECO # 1750	R.W.C.		
06	ECO # 1950	R.W.C.		
07	ECO # 2000	R.W.C.		
08	ECO # 2040	R.W.C.		
09	ECO # 2050	R.W.C.		
10	ECO # 2143	R.W.C.		
11	ECO # 2397	R.W.C.		
12	ECO # 2476	R.W.C.		



QTY.	DESCRIPTION	PART NO.
	DATA GENERAL CORPORATION	
	SOUTHBORO, MASSACHUSETTS 01772	
	TITLE	
	2117 16K MEMORY	
	MA#MB REGISTER & CONTROL	
	FIRST USED ON	
	107-000185-01	
	SCALE	
	D 001	
	DRAWING NUMBER	
	000359	
	REV	
	12	

THIS DRAWING AND THE INFORMATION HEREON ARE THE PROPERTY OF DATA GENERAL CORPORATION AND SHALL NOT BE REPRODUCED, COPIED, OR DISTRIBUTED IN ANY MANNER WITHOUT WRITTEN PERMISSION.

REVISIONS			
REV	DESCRIPTION	DRFTG	APP BY DATE



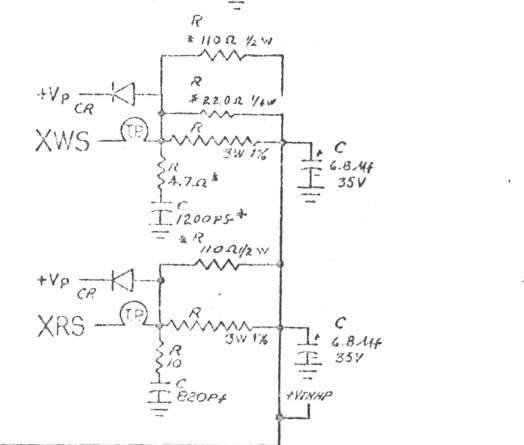
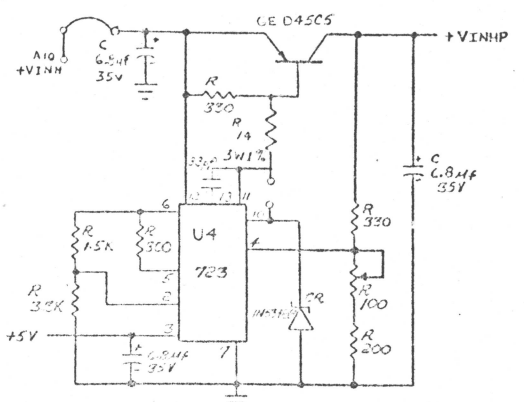
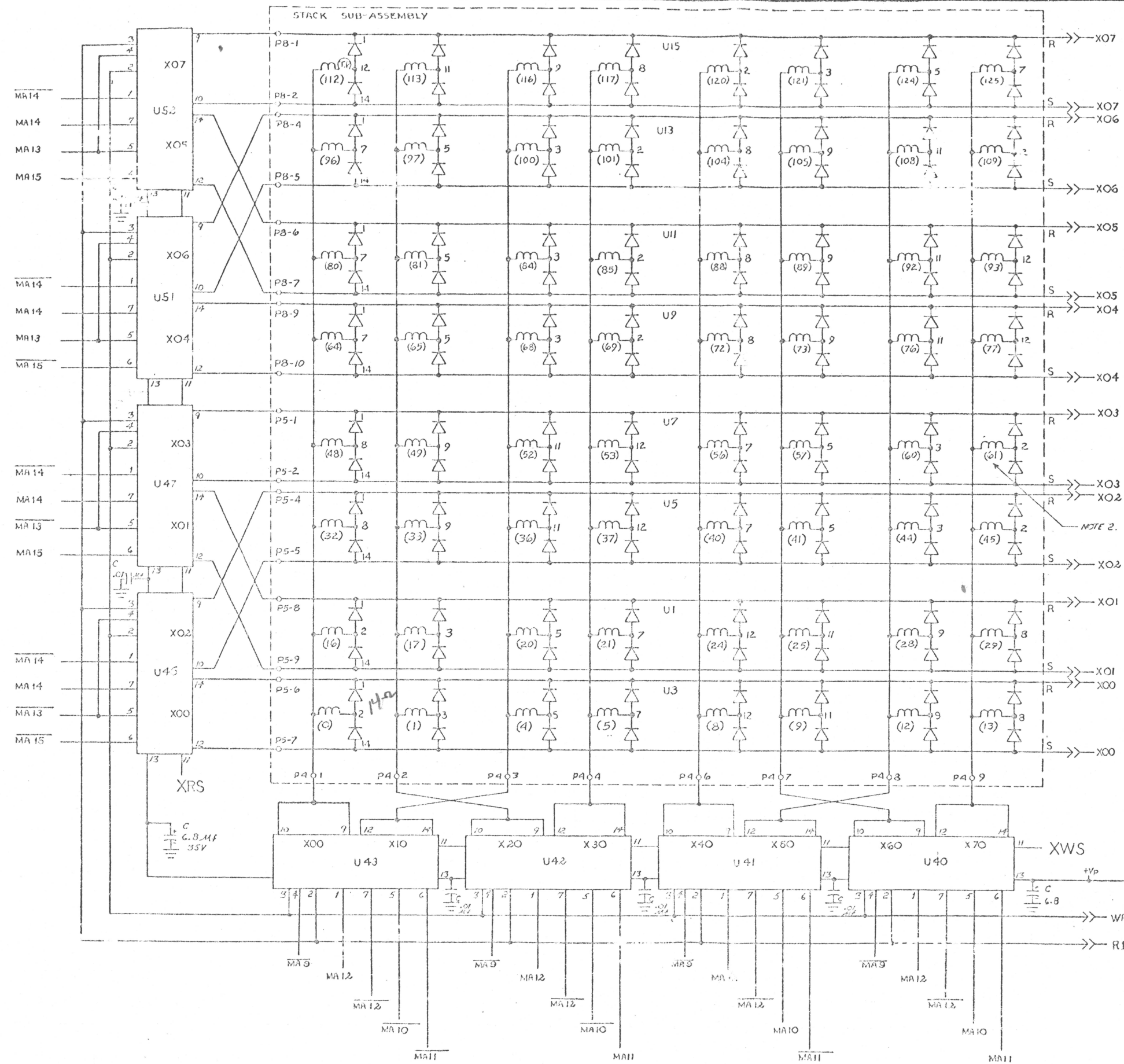
NOTE: 1. ALL CAPACITORS ARE IN MICROFARADS, AND ALL RESISTORS ARE IN OHMS, 1/4 WATT, WITH 5% TOLERANCE UNLESS OTHERWISE SPECIFIED.
 2. TRANSISTORS ARE 2N5022 WITH HEAT SINKS.

QTY	DESCRIPTION	PART NO.

DATA GENERAL CORPORATION
 SOUTHBROOK, MASSACHUSETTS 01772
 TITLE
 8117 16K MEMORY
 SENSE & INHIBIT
 107-000185-01
 SIZE CODE DRAWING NUMBER REV
 D 001 000359 12

THIS DRAWING AND ITS CONTENTS ARE THE PROPERTY OF DATA GENERAL CORPORATION AND SHALL NOT BE REPRODUCED OR TRANSMITTED IN ANY FORM OR BY ANY MEANS, ELECTRONIC OR MECHANICAL, INCLUDING PHOTOCOPYING, RECORDING, OR BY ANY INFORMATION STORAGE AND RETRIEVAL SYSTEM, WITHOUT WRITTEN PERMISSION.

REVISIONS			
REV	DESCRIPTION	DRFTG	APP BY DATE



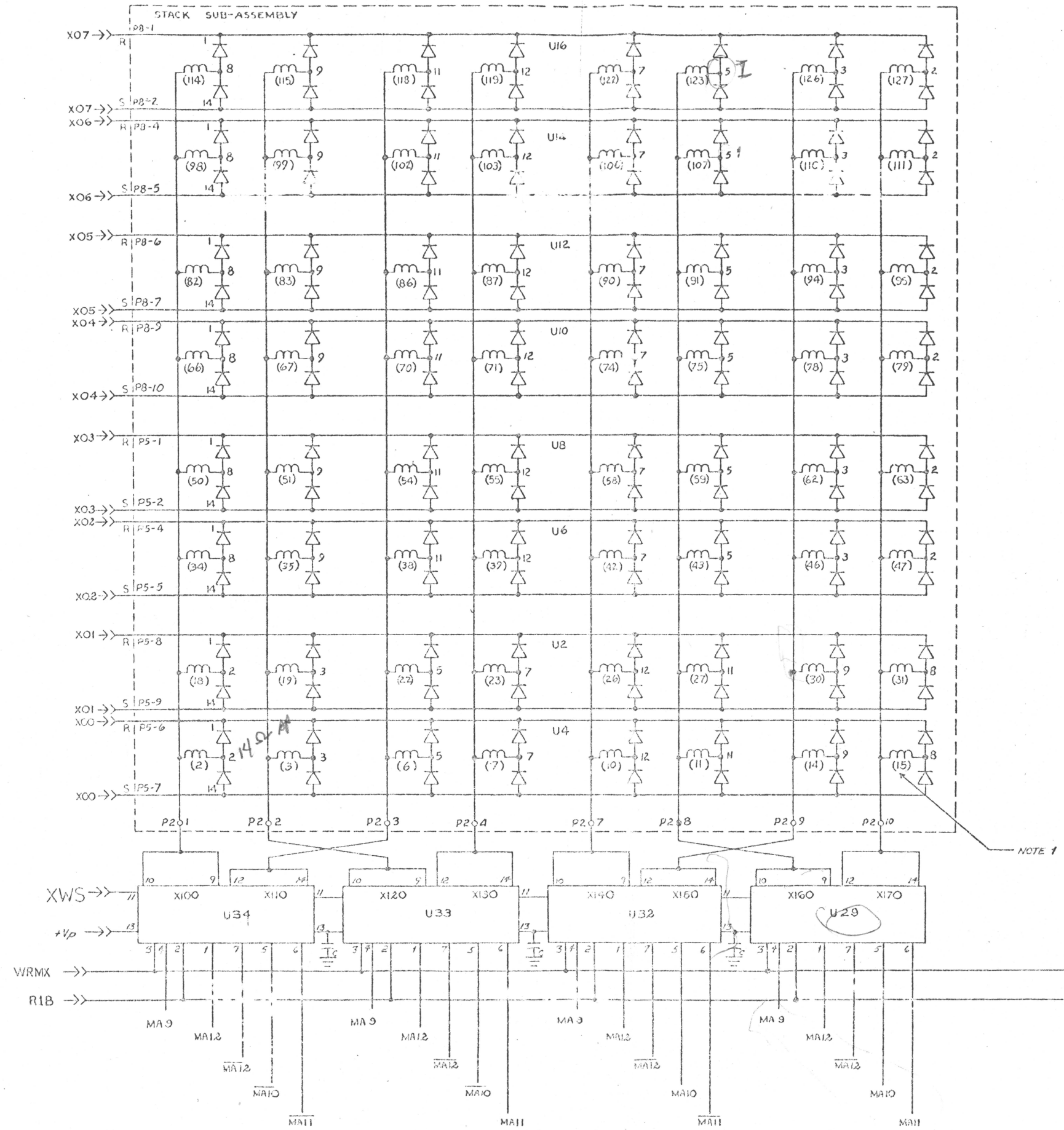
NOTE: 1. C, R MAY BE VARIED AT TEST LEVEL.
2. FOR STACK VENDOR USE ONLY.

NOTE: ALL CAPACITORS ARE IN MICROFARADS, AND ALL RESISTORS ARE IN OHMS, 1/4 WATT, WITH 5%, TOL., UNLESS OTHERWISE SPECIFIED.

UNLESS OTHERWISE SPECIFIED—DIMENSIONS ARE IN INCHES. TOLERANCES ON FRACTIONS—DECIMALS—ANGLES	QTY	DESCRIPTION	PART NO
± .010	DRAWN	LET JOHNSON	DATA GENERAL CORPORATION
± .020	CHECKED		SOUTH BORD, MASSACHUSETTS 01772
± .030	ENGINEER		TITLE
PARTS TO BE FREE FROM BURRS—BREAK ALL EDGES 50°	APPROVED		16K MEMORY
UNLESS OTHERWISE SPECIFIED—ALL PAGES SHOWN	FIRST USED ON		8117 X DRIVERS
(MATERIAL)	107-000185-C1		SIZE CODE
FINISH	SCALE	D 001	DRAWING NUMBER
			000359
			REV 12

THIS DRAWING AND SPECIFICATIONS HEREBY ARE THE PROPERTY OF DATA GENERAL CORPORATION AND SHALL NOT BE REPRODUCED OR TRANSMITTED IN ANY FORM OR BY ANY MEANS, ELECTRONIC OR MECHANICAL, INCLUDING PHOTOCOPYING, RECORDING, OR BY ANY INFORMATION STORAGE AND RETRIEVAL SYSTEM, WITHOUT WRITTEN PERMISSION.

REVISIONS				
REV	DESCRIPTION	DWG	APP BY	DATE



NOTE 1

NOTE:
1. FOR STACK VENDOR USE ONLY.

NOTE: ALL CAPACITORS ARE IN MICROFARADS, AND ALL RESISTORS ARE IN OHMS, 1/4 WATT, WITH 5% TOLERANCE UNLESS OTHERWISE SPECIFIED.

QTY	DESCRIPTION	PART NO

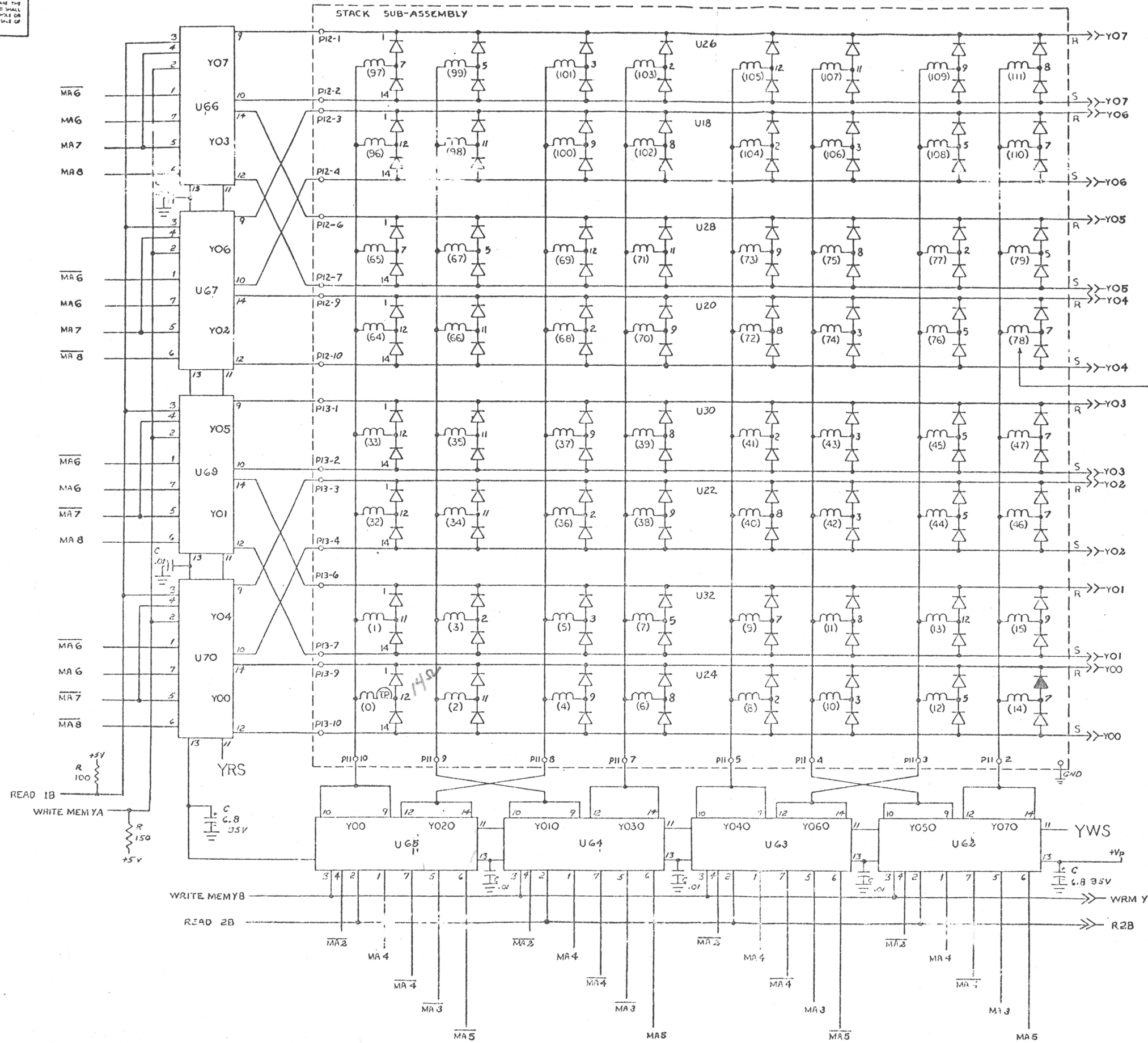
DRAWN: L. JOHNSON		DATE: 11/27/72	
CHECKED:			
ENGINEER:			
APPROVED:			
MATERIAL:			
FINISH:			
FIRST USED ON:			
107-000185-01		SIZE: 10	CODE: 001
DRAWING NUMBER: 000359		REV: 1	

DATA GENERAL CORPORATION
 SOUTHBORO, MASSACHUSETTS 01772

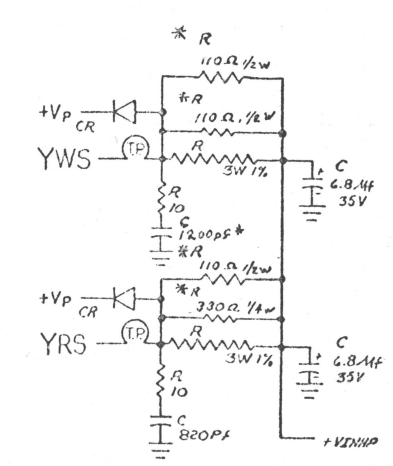
TITLE
16K MEMORY
8117 X DRIVERS

THIS DRAWING AND SPECIFICATIONS HEREIN ARE THE PROPERTY OF DATA GENERAL CORPORATION AND SHALL NOT BE REPRODUCED OR COPIED OR USED IN WHOLE OR IN PART AS THE BASIS FOR MANUFACTURE OR SALE OF ITEMS WITHOUT WRITTEN PERMISSION.

REVISIONS				
REV	DESCRIPTION	DRFTG	APP BY	DATE



NOTE 2



NOTE:
 R_s
 1. RESISTORS SELECTED AT TEST LEVEL.
 2. FOR STACK VENDOR USE ONLY.

S=SOURCE
 R=RETURN

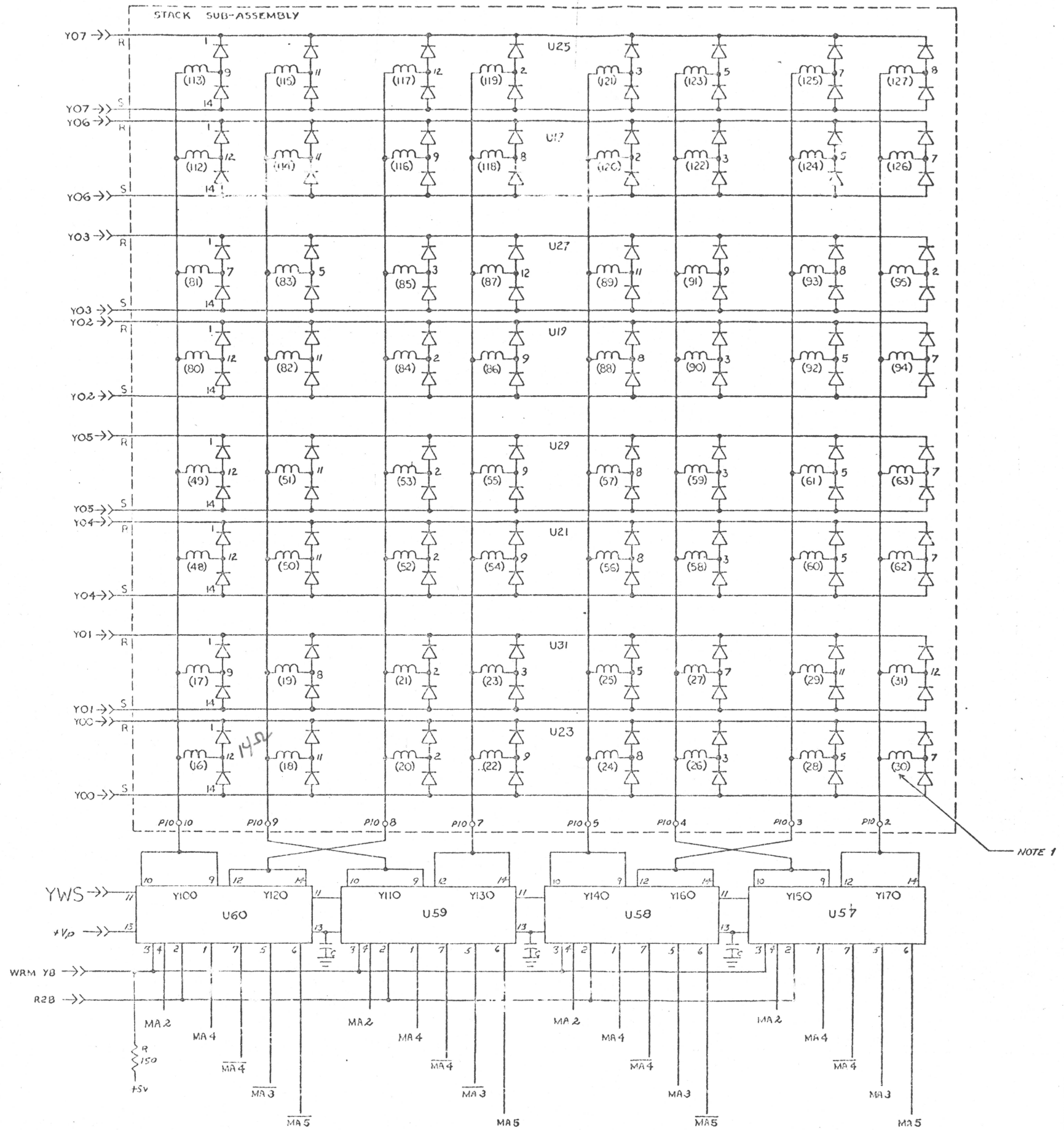
NOTE: ALL CAPACITORS ARE IN MICROFARADS, AND ALL RESISTORS ARE IN OHMS, 1/4 W. P., WITH 5% TOLERANCE UNLESS OTHERWISE SPECIFIED.

QTY	DESCRIPTION	PART NO

UNLESS OTHERWISE SPECIFIED— DIMENSIONS ARE IN INCHES— FRACTIONS DECIMALS ANGLES XX ± PARTS TO BE FREE FROM BURRS BREAK ALL EDGES R10	DRAWN C. J. JOHNSON 11/25/73	DATA GENERAL CORPORATION SOUTHBORO, MASSACHUSETTS 01772
UNLESS OTHERWISE SPECIFIED— ALL MACH SURFACES	CHECKED ENGINEER APPROVED	
MATERIAL	FIRST USED ON 107-000185-01	TITLE 16K MEMORY 8117 Y DRIVERS
FINISH	SCALE	SIZE CODE D 001
		DRAWING NUMBER 000359
		REV 12

THIS DRAWING AND SPECIFICATIONS HEREIN ARE THE PROPERTY OF DATA GENERAL CORPORATION AND SHALL NOT BE REPRODUCED, COPIED, OR USED IN WHOLE OR IN PART AS THE BASIS FOR MANUFACTURE OR SALE OF ITEMS WITHOUT WRITTEN PERMISSION.

REVISIONS				
REV	DESCRIPTION	DRAFTG	APP BY	DATE



NOTE 1

NOTE 1: FOR STACK VENDOR USE ONLY.

NOTE 2: ALL CAPACITORS ARE IN MICROFARADS, AND ALL RESISTORS ARE IN OHMS, 1/4 WATT, WITH 5% TOLERANCE UNLESS OTHERWISE SPECIFIED.

UNLESS OTHERWISE SPECIFIED— DIMENSIONS ARE IN INCHES TOLERANCES ON FRACTIONS DECIMALS ANGLES X.XX ± .005 PARTS TO BE FREE FROM BURRS BREAK ALL EDGES C10 UNLESS OTHERWISE SPECIFIED— ALL METAL SURFACES	QTY	DESCRIPTION	PART NO.
	DRAWN JOHN JOHNSON	1/25/72	DATA GENERAL CORPORATION SOUTH BORD, MASSACHUSETTS 01772
	CHECKED		TITLE 16K MEMORY Y DRIVERS
	ENGINEER		8117
APPROVED		FIRST USED ON	
MATERIAL		107-000185-01	
FINISH		SCALE	
		SIZE D 1001	DRAWING NUMBER 000359
			REV 12