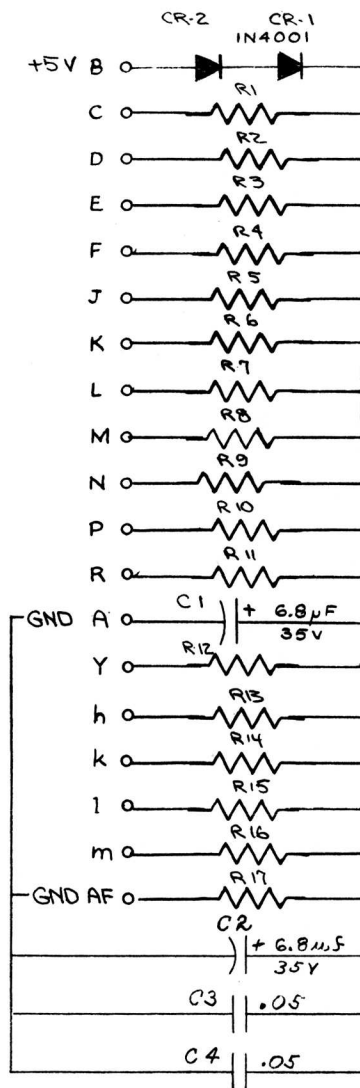


THIS DRAWING AND SPECIFICATIONS, HEREIN, ARE THE PROPERTY OF DATA GENERAL CORPORATION AND SHALL NOT BE REPRODUCED OR COPIED OR USED IN WHOLE OR IN PART AS THE BASIS FOR MANUFACTURE OR SALE OF ITEMS WITHOUT WRITTEN PERMISSION.

REVISIONS				
REV.	DESCRIPTION	DRFTG.	APP. BY	DATE
01	ECO# 1392	R.W.C.		2-20-72
02	ECO# 2750	GW.M.	RFJ	8-4-72

817th Mem Ser 660
 BK Pan 1069-14



ALL RESISTORS
 110Ω 1/4W

QTY.	DESCRIPTION	PART NO.
	DRAWN B. LOUGHLIN	
	CHECKED	
	ENGINEER B. LOUGHLIN	
	APPROVED	
	FIRST USED ON 8/8/8281	
	MATERIAL	
	FINISH	
	SCALE	
DATA GENERAL CORPORATION SOUTHBORO, MASSACHUSETTS 01772		
TITLE 1220/820 BACKPANEL I/O TERMINATOR		
SIZE C	CODE 001	DRAWING NUMBER 000281
		REV. 02