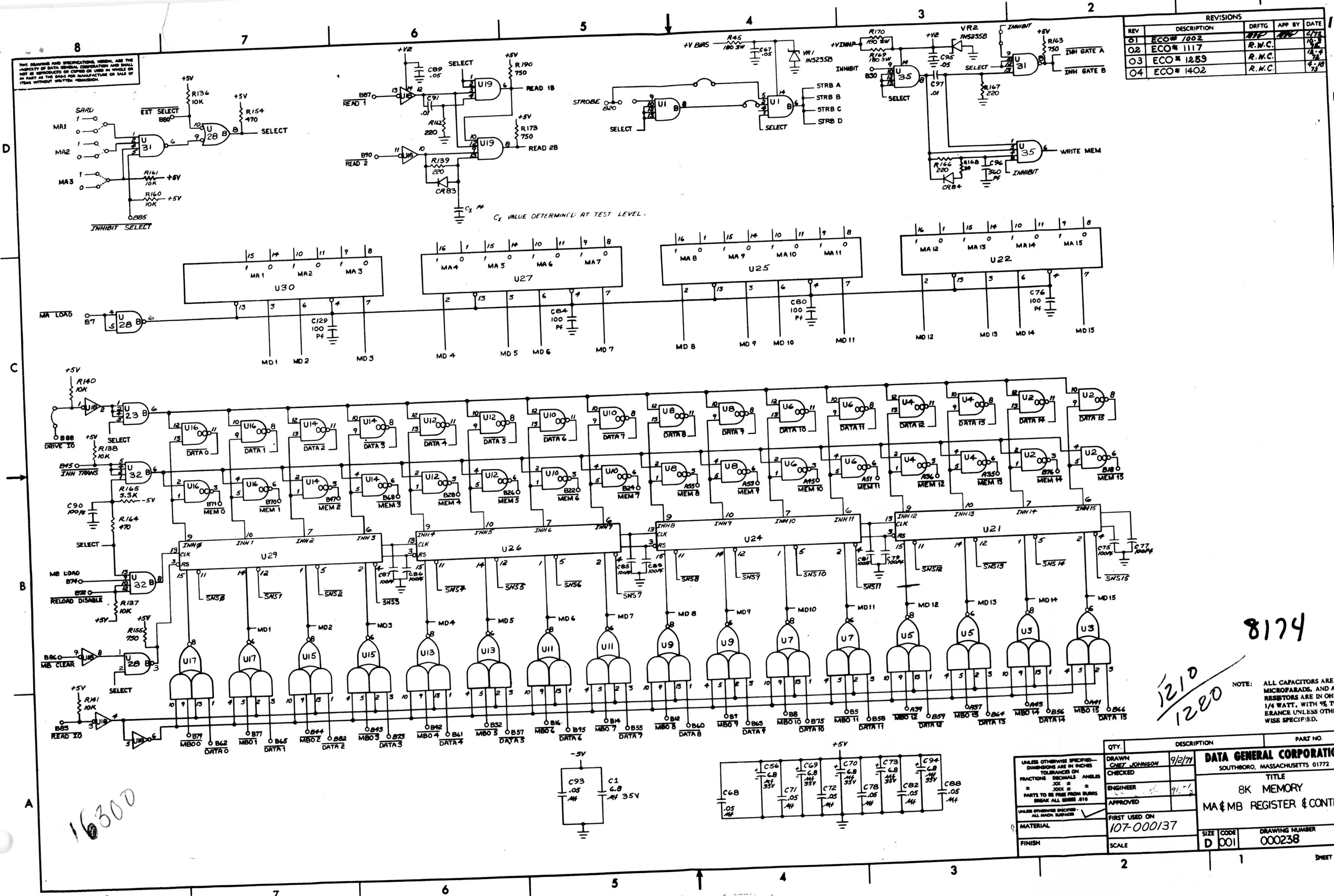


THIS DRAWING AND SPECIFICATIONS HEREIN, ARE THE PROPERTY OF DATA GENERAL CORPORATION AND SHALL NOT BE REPRODUCED OR COPIED OR USED IN WHOLE OR IN PART AS THE BASIS FOR MANUFACTURE OR SALE OF ITEMS WITHOUT WRITTEN PERMISSION.

REVISIONS			
REV	DESCRIPTION	DRFTG	APP BY DATE
01	ECO# 1002	R.W.C.	12/78
02	ECO# 1117	R.W.C.	12/78
03	ECO# 1259	R.W.C.	12/78
04	ECO# 1402	R.W.C.	12/78



8174

12/10
12/20

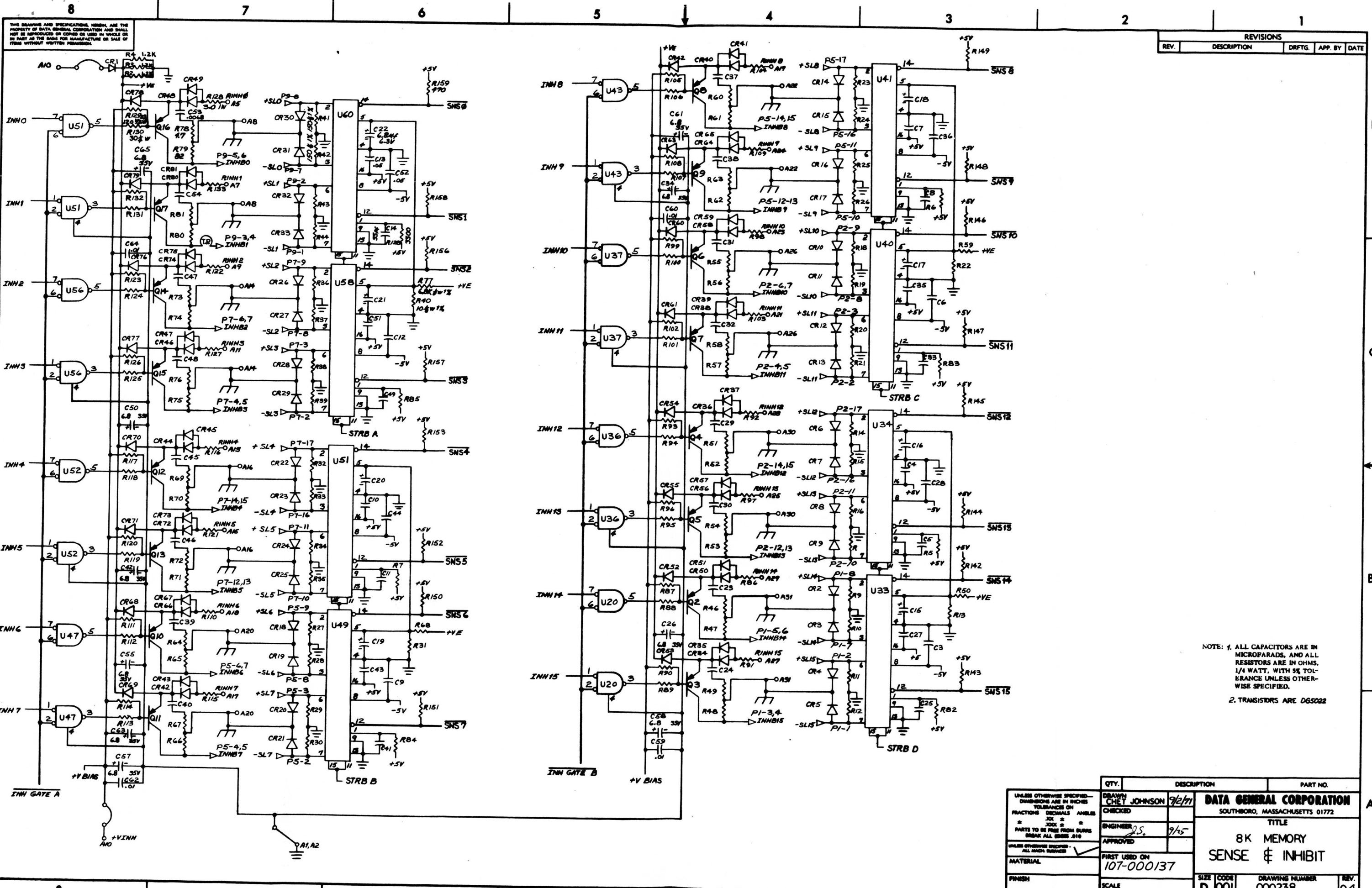
NOTE: ALL CAPACITORS ARE IN MICROFARADS, AND ALL RESISTORS ARE IN OHMS, 1/4 WATT, WITH 1% TOLERANCE UNLESS OTHERWISE SPECIFIED.

QTY.		DESCRIPTION	PART NO.
DRAWN		CHET JOHNSON	9/2/77
CHECKED			
ENGINEER			9/1/78
APPROVED			
FIRST USED ON		107-000137	
MATERIAL			
FINISH			
SCALE			
DRAWING NUMBER		000238	
REV.		04	

DATA GENERAL CORPORATION
SOUTHBORO, MASSACHUSETTS 01772

TITLE
8K MEMORY
MA & MB REGISTER & CONTROL

SIZE CODE
D 001

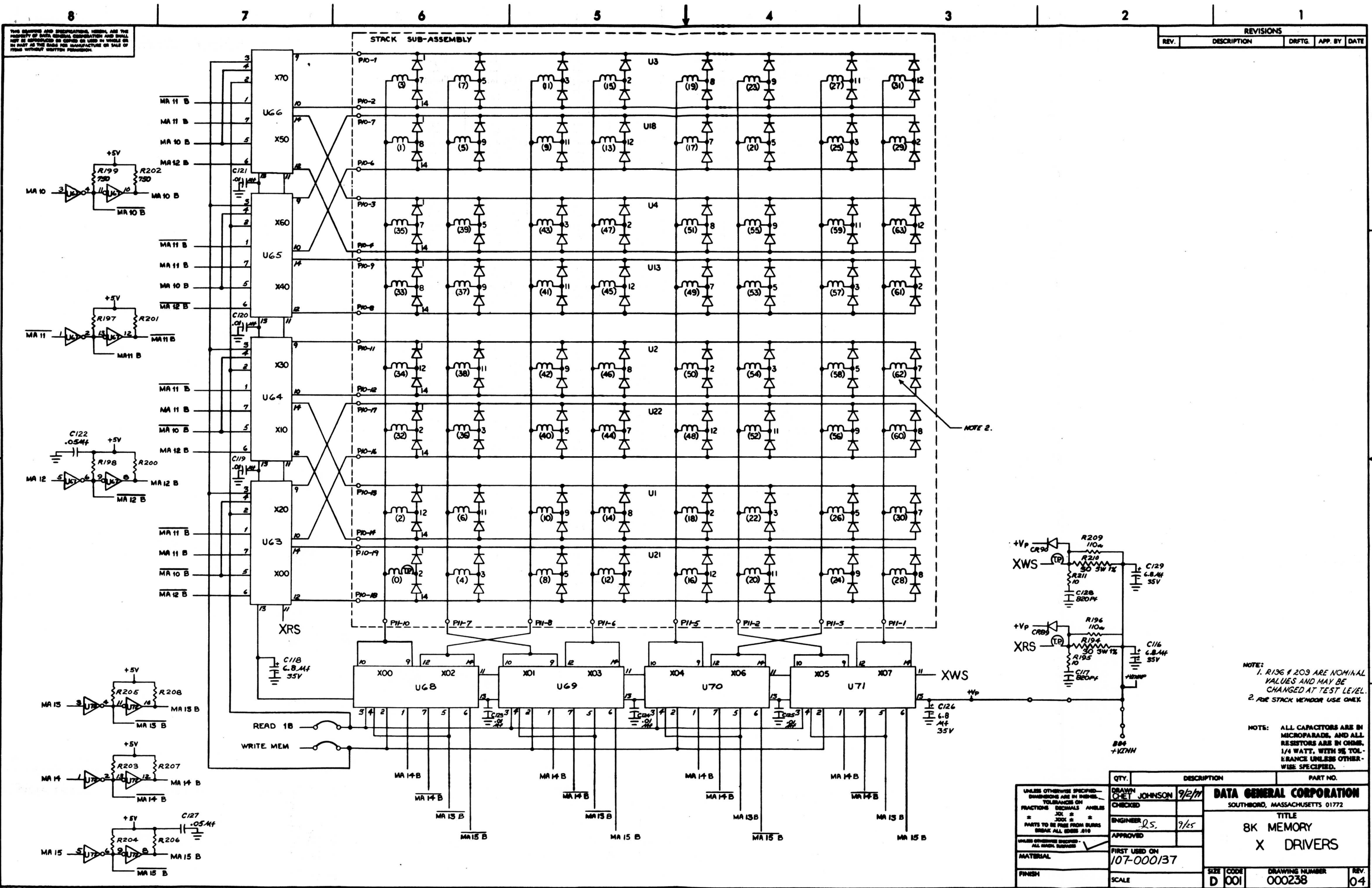


REVISIONS			
REV.	DESCRIPTION	DRFTG.	APP. BY DATE

NOTE: 1. ALL CAPACITORS ARE IN MICROFARADS, AND ALL RESISTORS ARE IN OHMS, 1/4 WATT, WITH 5% TOLERANCE UNLESS OTHERWISE SPECIFIED.
2. TRANSISTORS ARE DG5022

QTY.	DESCRIPTION	PART NO.

UNLESS OTHERWISE SPECIFIED— DIMENSIONS ARE IN INCHES TOLERANCES ON FRACTIONS DECIMALS ANGLES JDK 2 PARTS TO BE FREE FROM BURRS BREAK ALL DIMS .010	DATA GENERAL CORPORATION SOUTHBORO, MASSACHUSETTS 01772 TITLE 8K MEMORY SENSE & INHIBIT
DRAWN: CHET JOHNSON CHECKED: 9/27 ENGINEER: 25 APPROVED: 9/25 FIRST USED ON: 107-000137	SIZE: D CODE: 001 DRAWING NUMBER: 000238 REV.: 04



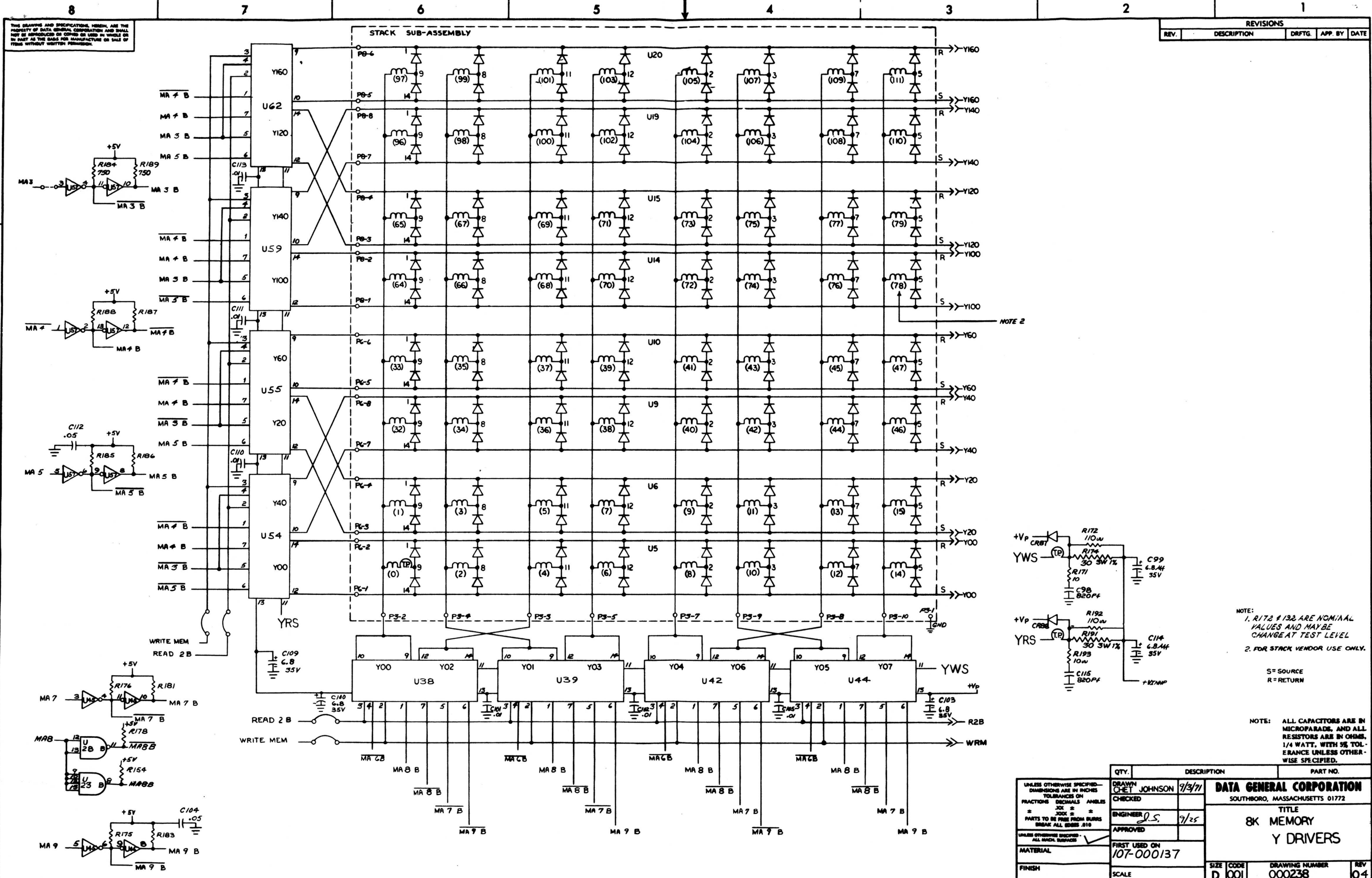
REVISIONS				
REV.	DESCRIPTION	DRAFTG.	APP. BY	DATE

NOTE:
 1. R196 & R209 ARE NOMINAL VALUES AND MAY BE CHANGED AT TEST LEVEL.
 2. FOR STACK VENDOR USE ONLY.

NOTE: ALL CAPACITORS ARE IN MICROFARADS, AND ALL RESISTORS ARE IN OHMS, 1/4 WATT, WITH 5% TOLERANCE UNLESS OTHERWISE SPECIFIED.

QTY.	DESCRIPTION	PART NO.

UNLESS OTHERWISE SPECIFIED— DIMENSIONS ARE IN INCHES. TOLERANCES ON FRACTIONS DECIMALS ANGLES X.XX ± .005 X.XX ± .001 PARTS TO BE FREE FROM BURRS BREAK ALL EDGES .010	DRAWN C. E. JOHNSON 9/2/71	CHECKED 	DATA GENERAL CORPORATION SOUTHBORO, MASSACHUSETTS 01772
UNLESS OTHERWISE SPECIFIED— ALL DIMENSIONS	ENGINEER R.S. 9/2/71	APPROVED 	
MATERIAL	FIRST USED ON 107-000137		TITLE 8K MEMORY X DRIVERS
FINISH	SCALE		SIZE CODE D 001
			DRAWING NUMBER 000238
			REV. 04



REVISIONS			
REV.	DESCRIPTION	DRFTG.	APP. BY DATE

THE DRAWING AND SPECIFICATIONS, HEREIN, ARE THE PROPERTY OF DATA GENERAL CORPORATION AND SHALL NOT BE REPRODUCED OR COPIED OR USED IN WHOLE OR IN PART AS THE BASIS FOR MANUFACTURE OR SALE OF ITEMS WITHOUT WRITTEN PERMISSION.

NOTE 2

