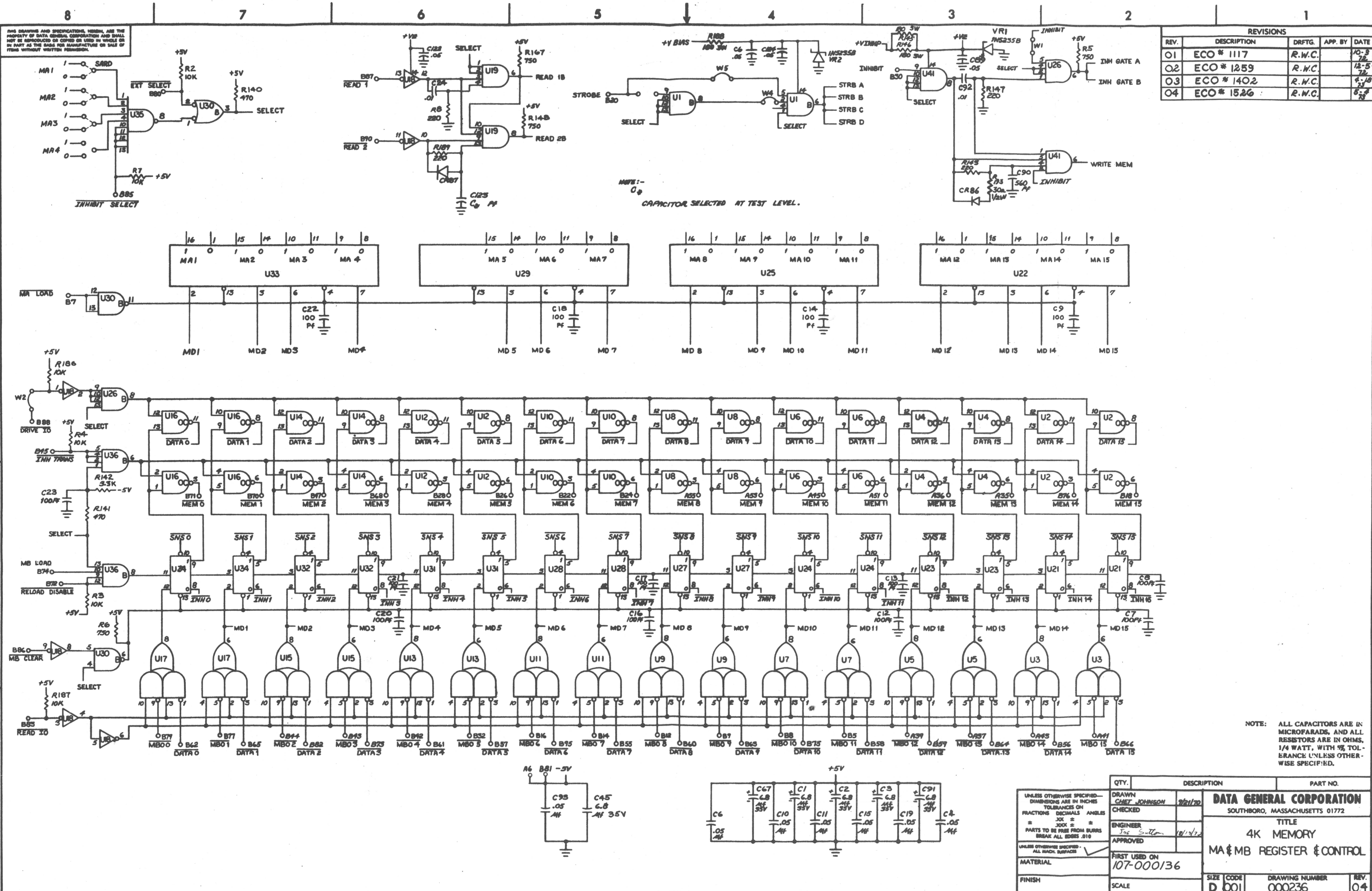


THIS DRAWING AND SPECIFICATIONS HEREBY ARE THE PROPERTY OF DATA GENERAL CORPORATION AND SHALL NOT BE REPRODUCED OR COPIED OR USED IN WHOLE OR IN PART AS THE BASIS FOR MANUFACTURE OR SALE OF ITEMS WITHOUT WRITTEN PERMISSION.

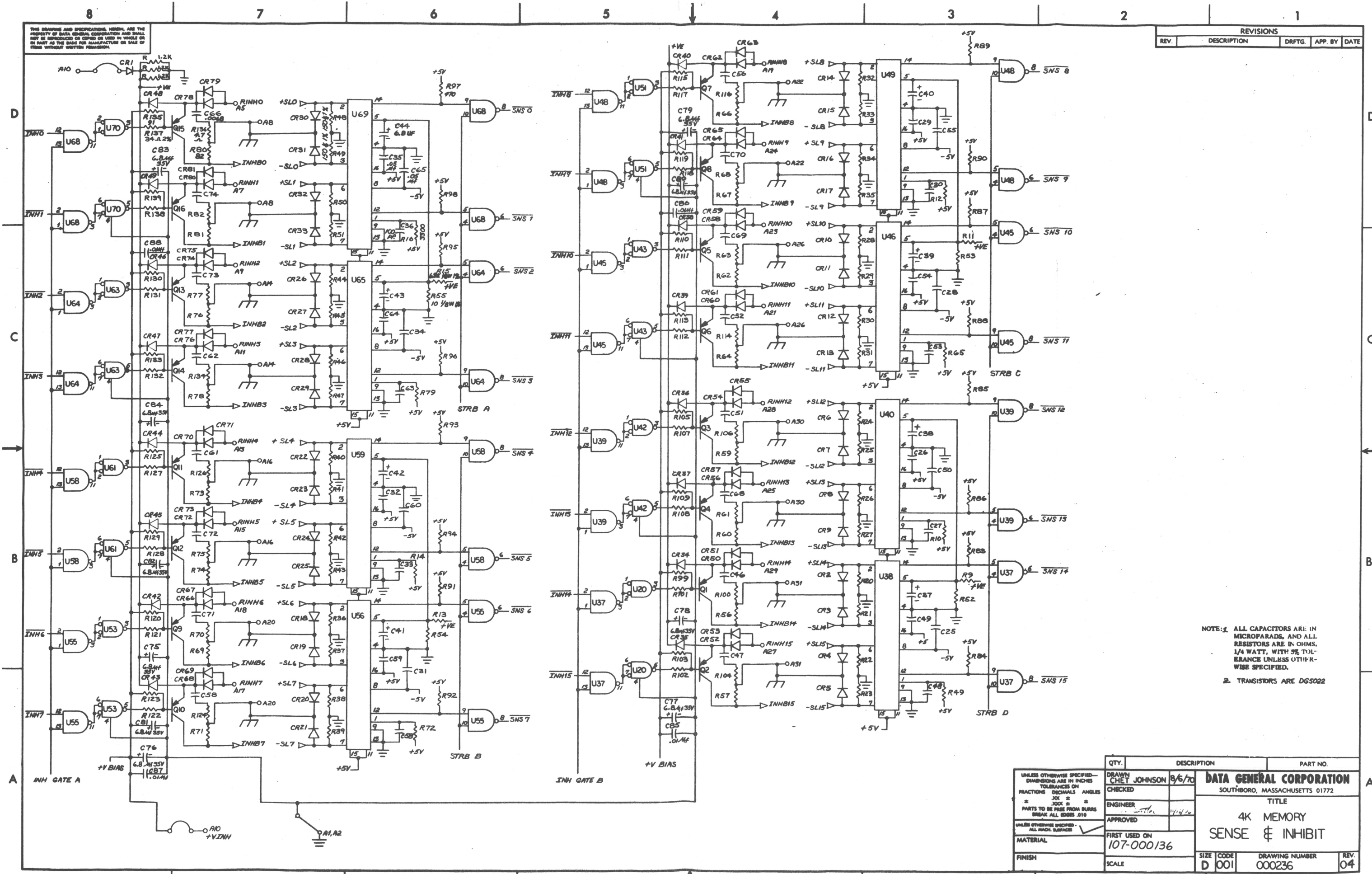
REVISIONS				
REV.	DESCRIPTION	DRFTG.	APP. BY	DATE
01	ECO # 1117	R.W.C.		10-9-70
02	ECO # 1259	R.W.C.		12-5-70
03	ECO # 1402	R.W.C.		6-19-71
04	ECO # 1526	R.W.C.		8-2-71



QTY.	DESCRIPTION	PART NO.
UNLESS OTHERWISE SPECIFIED— DIMENSIONS ARE IN INCHES TOLERANCES ON FRACTIONS DECIMALS ANGLES * JOK ± * PARTS TO BE FREE FROM BURRS BREAK ALL EDGES .010		
DRAWN: CHET JOHNSON 8/21/70 CHECKED: _____ ENGINEER: Joe Sutton 12/14/70 APPROVED: _____ FIRST USED ON: 107-000136 MATERIAL: _____ FINISH: _____		
DATA GENERAL CORPORATION SOUTHBORO, MASSACHUSETTS 01772 TITLE 4K MEMORY MA & MB REGISTER & CONTROL		
SIZE	CODE	DRAWING NUMBER
D	001	000236
SCALE		REV. 04

THIS DRAWING AND SPECIFICATIONS HEREIN ARE THE PROPERTY OF DATA GENERAL CORPORATION AND SHALL NOT BE REPRODUCED OR COPIED OR USED IN WHOLE OR IN PART AS THE BASIS FOR MANUFACTURE OR SALE OF ITEMS WITHOUT WRITTEN PERMISSION.

REVISIONS				
REV.	DESCRIPTION	DRFTG.	APP. BY	DATE



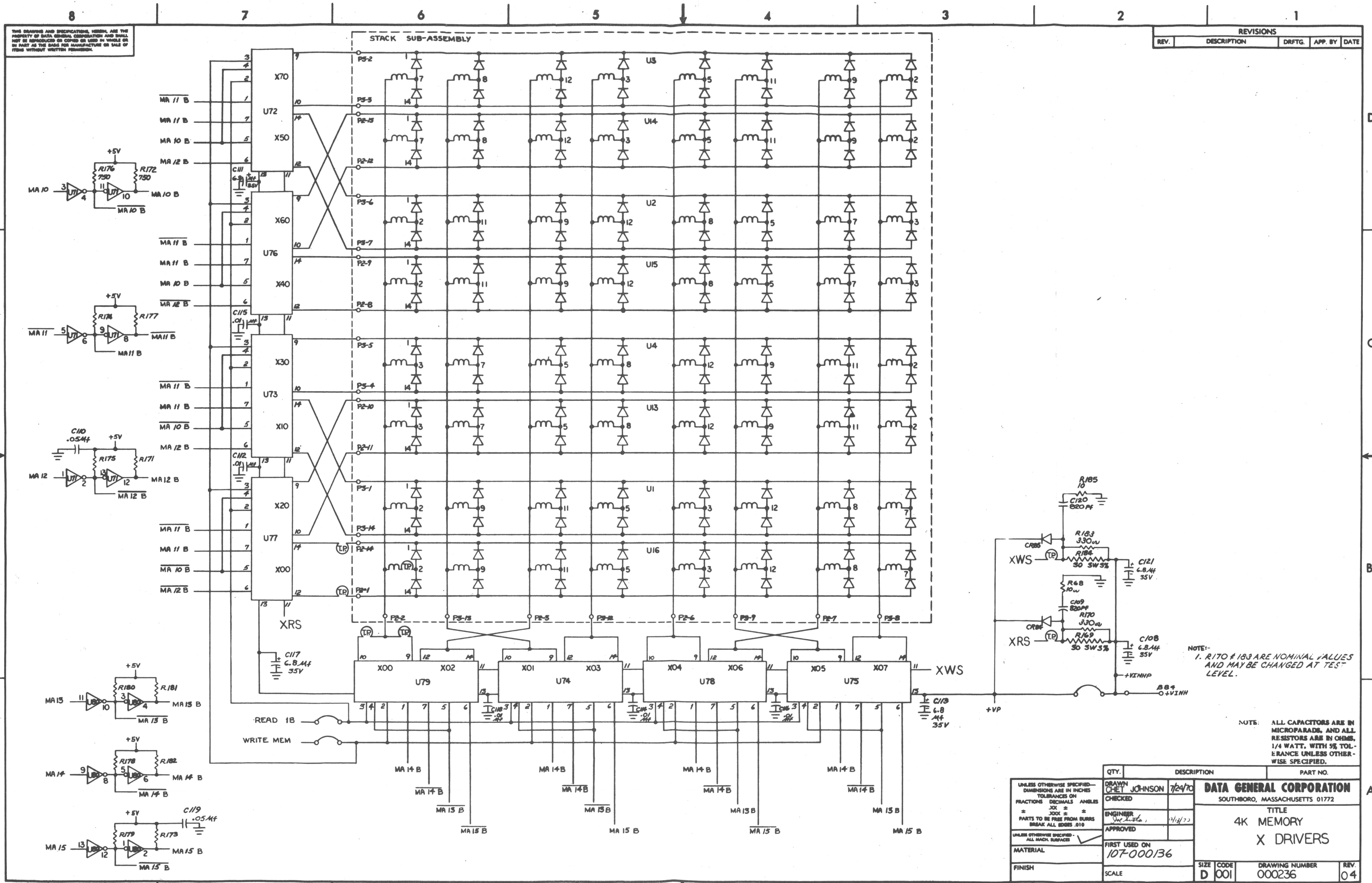
NOTE: 1. ALL CAPACITORS ARE IN MICROPARADS, AND ALL RESISTORS ARE IN OHMS. 1/4 WATT, WITH 5% TOLERANCE UNLESS OTHERWISE SPECIFIED.
2. TRANSISTORS ARE DG5022

QTY.	DESCRIPTION	PART NO.

UNLESS OTHERWISE SPECIFIED— DIMENSIONS ARE IN INCHES FRACTIONS DECIMALS ANGLES	DRAWN CHET JOHNSON 8/6/70	DATA GENERAL CORPORATION SOUTHBORO, MASSACHUSETTS 01772
PARTS TO BE FREE FROM BURRS BREAK ALL EDGES .010	CHECKED	
UNLESS OTHERWISE SPECIFIED— ALL MACH. SURFACES	ENGINEER 	TITLE 4K MEMORY SENSE & INHIBIT
MATERIAL	APPROVED	FIRST USED ON 107-000136
FINISH	SCALE	DRAWING NUMBER 000236
		REV. 04

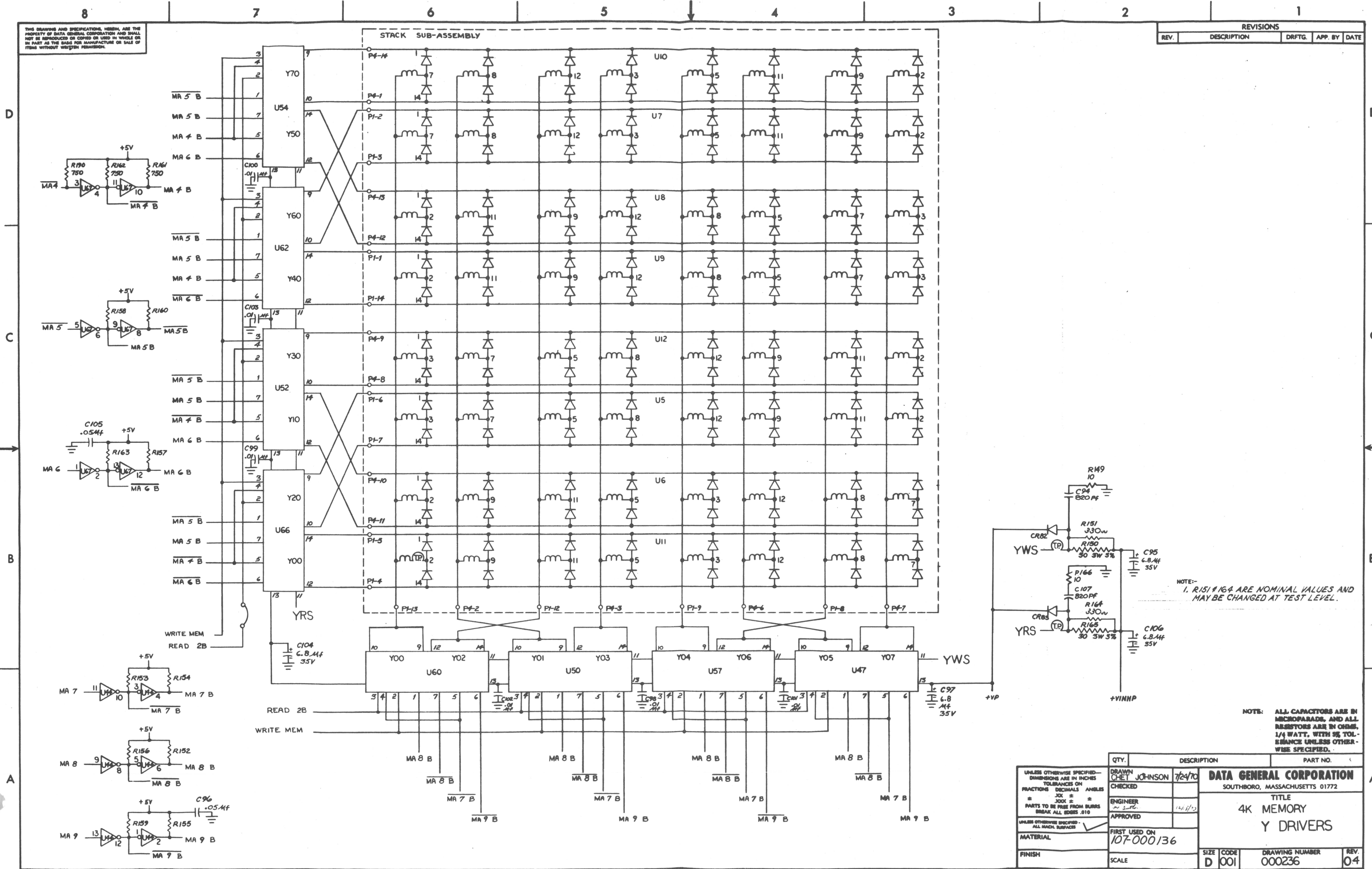
THIS DRAWING AND SPECIFICATIONS, HEREIN, ARE THE PROPERTY OF DATA GENERAL CORPORATION AND SHALL NOT BE REPRODUCED OR COPIED OR USED IN WHOLE OR IN PART AS THE BASIS FOR MANUFACTURE OR SALE OF ITEMS WITHOUT WRITTEN PERMISSION.

REVISIONS			
REV.	DESCRIPTION	DRFTG.	APP. BY DATE



THIS DRAWING AND SPECIFICATIONS, HEREIN, ARE THE PROPERTY OF DATA GENERAL CORPORATION AND SHALL NOT BE REPRODUCED OR COPIED OR USED IN WHOLE OR IN PART AS THE BASIS FOR MANUFACTURE OR SALE OF ITEMS WITHOUT WRITTEN PERMISSION.

REVISIONS			
REV.	DESCRIPTION	DRFTG.	APP. BY DATE



NOTE: 1. R151 & R164 ARE NOMINAL VALUES AND MAY BE CHANGED AT TEST LEVEL.

NOTE: ALL CAPACITORS ARE IN MICROFARADS, AND ALL RESISTORS ARE IN OHMS, 1/4 WATT, WITH 5% TOLERANCE UNLESS OTHERWISE SPECIFIED.

UNLESS OTHERWISE SPECIFIED— DIMENSIONS ARE IN INCHES TOLERANCES ON FRACTIONS DECIMALS ANGLES JDK ± PARTS TO BE FREE FROM BURRS BREAK ALL EDGES .010	QTY.	DESCRIPTION	PART NO.
	CHECKED	7/24/70	DATA GENERAL CORPORATION SOUTHBORO, MASSACHUSETTS 01772
	ENGINEER		TITLE 4K MEMORY Y DRIVERS
	APPROVED		SIZE CODE D 001
MATERIAL	FIRST USED ON 107-000/36	DRAWING NUMBER 000236	REV. 0-4
FINISH	SCALE		