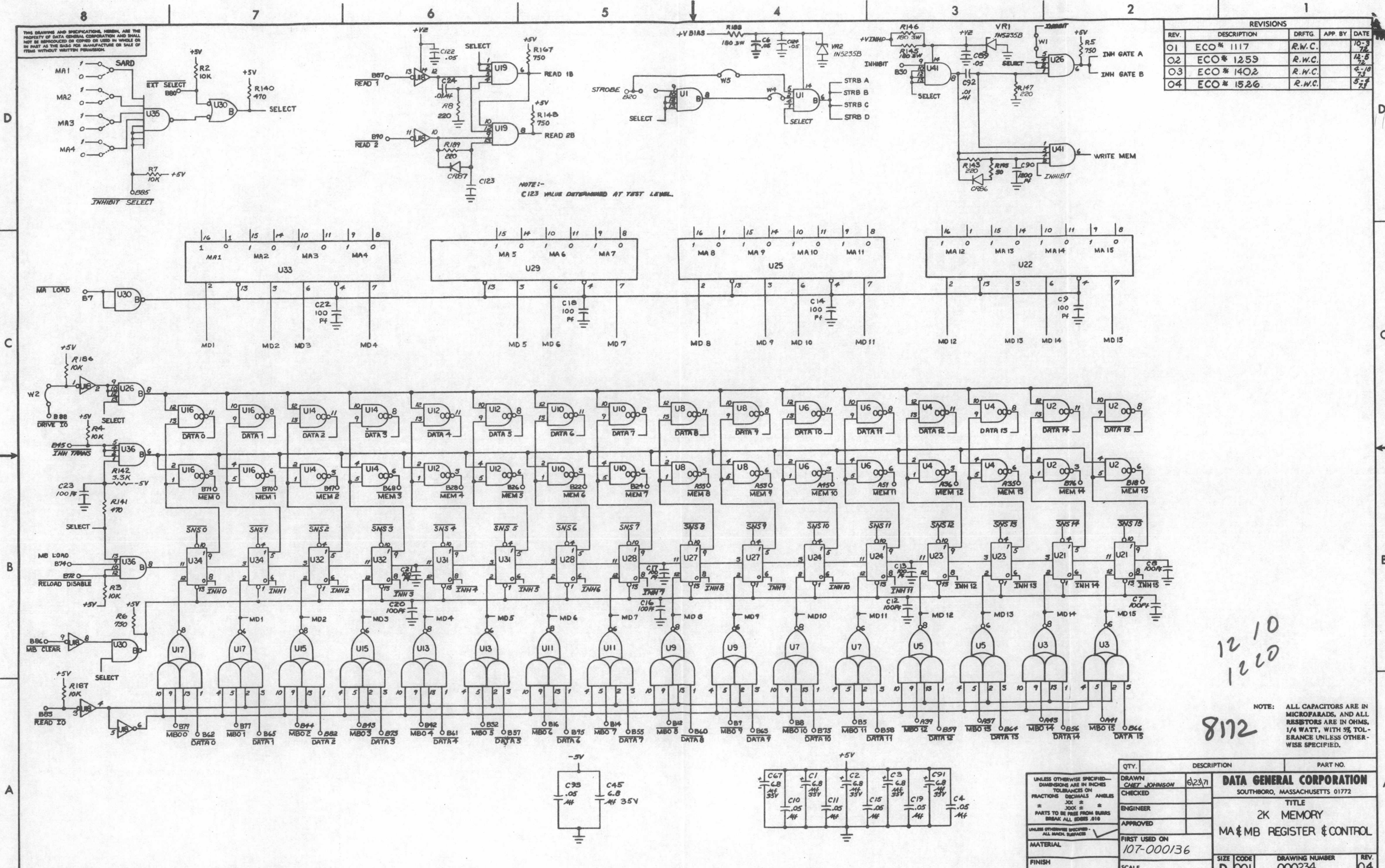


THIS DRAWING AND SPECIFICATIONS HEREBY ARE THE PROPERTY OF DATA GENERAL CORPORATION AND SHALL NOT BE REPRODUCED OR COPIED OR USED IN WHOLE OR IN PART AS THE BASIS FOR MANUFACTURE OR SALE OF ITEMS WITHOUT WRITTEN PERMISSION.

REVISIONS				
REV.	DESCRIPTION	DRFTG.	APP. BY	DATE
01	ECO # 1117	R.W.C.		10-9-72
02	ECO # 1259	R.W.C.		12-8-72
03	ECO # 1402	R.W.C.		2-18-73
04	ECO # 1526	R.W.C.		5-2-73

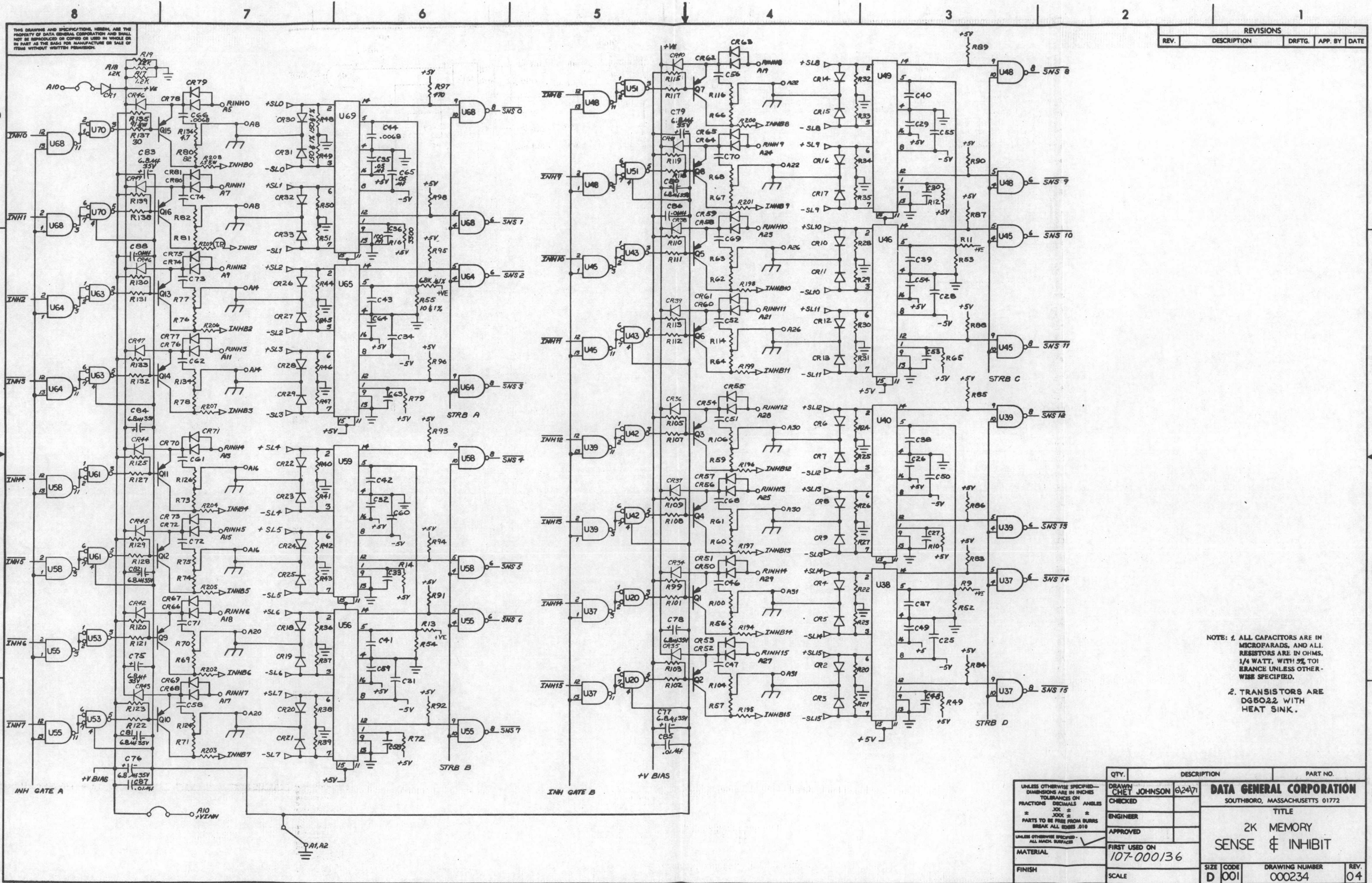


NOTE:--
C123 VALUE DETERMINED AT TEST LEVEL.

1210
1220
8112

NOTE: ALL CAPACITORS ARE IN MICROFARADS, AND ALL RESISTORS ARE IN OHMS, 1/4 WATT, WITH 5% TOLERANCE UNLESS OTHERWISE SPECIFIED.

QTY.	DESCRIPTION	PART NO.
62371	DATA GENERAL CORPORATION	SOUTHBORO, MASSACHUSETTS 01772
TITLE		
2K MEMORY		
MA & MB REGISTER & CONTROL		
UNLESS OTHERWISE SPECIFIED - DIMENSIONS ARE IN INCHES TOLERANCES ON FRACTIONS DECIMALS ANGLES	DRAWN CHEZ JOHNSON	
* JOE = * PARTS TO BE PRD FROM BURNS BREAK ALL EDGES .010	CHECKED	
UNLESS OTHERWISE SPECIFIED - ALL MACH SURFACES	ENGINEER	
MATERIAL	FIRST USED ON	
FINISH	107-000136	
SCALE		
SIZE	CODE	D 001
DRAWING NUMBER	REV.	000234 04

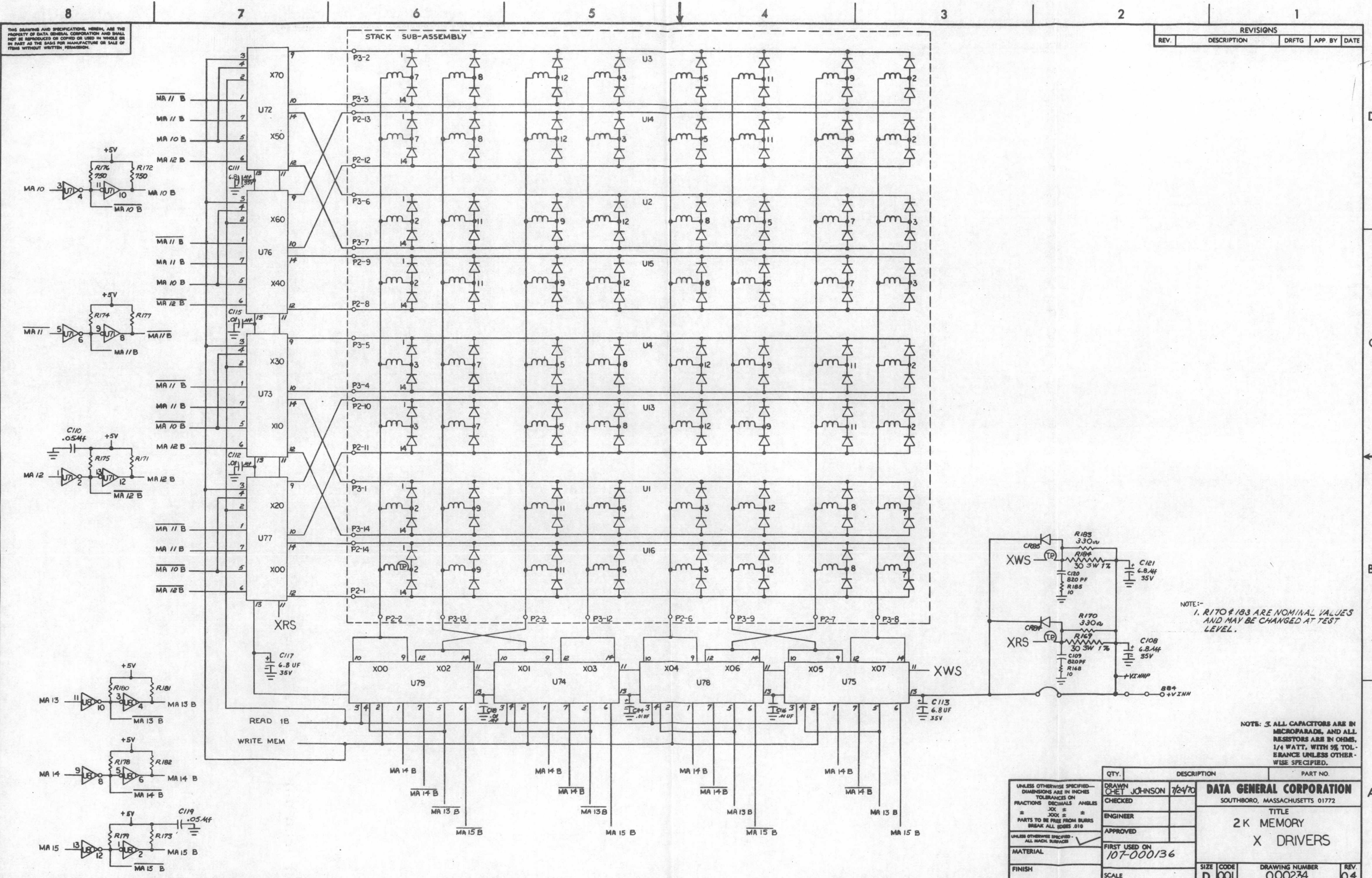


REVISIONS			
REV.	DESCRIPTION	DRFTG.	APP. BY DATE

NOTE: 1. ALL CAPACITORS ARE IN MICROFARADS, AND ALL RESISTORS ARE IN OHMS, 1/4 WATT, WITH 5% TOLERANCE UNLESS OTHERWISE SPECIFIED.

2. TRANSISTORS ARE DG502.2 WITH HEAT SINK.

QTY.	DESCRIPTION	PART NO.
DATA GENERAL CORPORATION SOUTHBORO, MASSACHUSETTS 01772		
TITLE 2K MEMORY SENSE & INHIBIT		
UNLESS OTHERWISE SPECIFIED— DIMENSIONS ARE IN INCHES TOLERANCES ON FRACTIONS DECIMALS ANGLES .XXX ± .001 .XXX ± .001 PARTS TO BE FREE FROM BURRS BREAK ALL EDGES .010	DRAWN CHET JOHNSON 62471	FIRST USED ON 107-000136
UNLESS OTHERWISE SPECIFIED— ALL MACH. SURFACES	CHECKED ENGINEER APPROVED	
MATERIAL FINISH	SCALE	SIZE CODE D 001
DRAWING NUMBER 000234		REV. 04



REVISIONS				
REV.	DESCRIPTION	DRFTG	APP BY	DATE

NOTE: 1. R170 & R183 ARE NOMINAL VALUES AND MAY BE CHANGED AT TEST LEVEL.

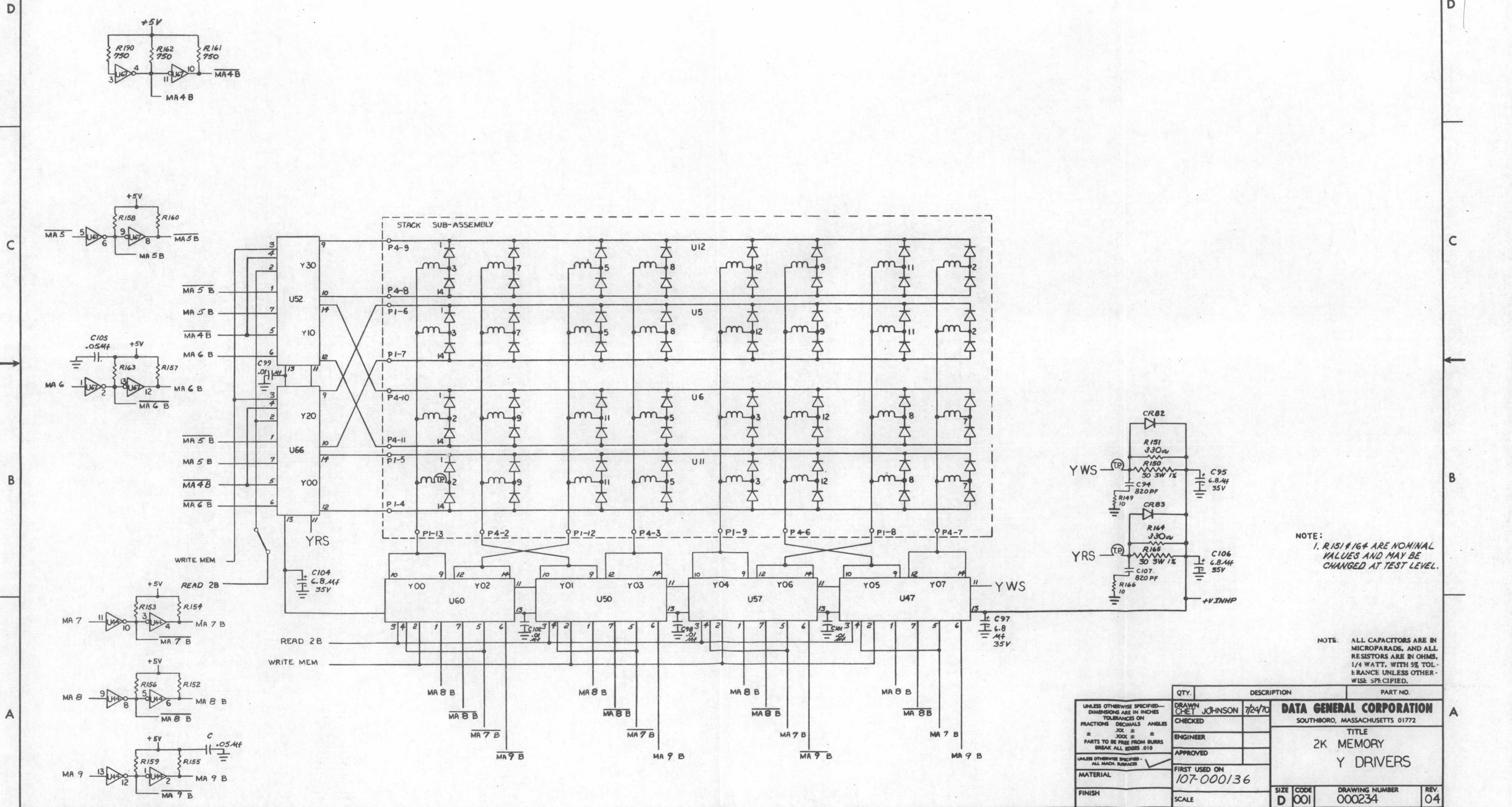
NOTE: 3. ALL CAPACITORS ARE IN MICROFARADS, AND ALL RESISTORS ARE IN OHMS, 1/4 WATT, WITH 5% TOLERANCE UNLESS OTHERWISE SPECIFIED.

QTY.	DESCRIPTION	PART NO.

UNLESS OTHERWISE SPECIFIED - DIMENSIONS ARE IN INCHES - FRACTIONS DECIMALS ANGLES TOLERANCES ON JOG = * PARTS TO BE FREE FROM BURRS BREAK ALL EDGES .010 UNLESS OTHERWISE SPECIFIED - ALL MACH. SURFACES	DRAWN CHET JOHNSON 7/24/70	DATA GENERAL CORPORATION SOUTHBORO, MASSACHUSETTS 01772
		TITLE 2K MEMORY X DRIVERS
		DRAWING NUMBER 000234
		REV. 04

THIS DRAWING AND SPECIFICATIONS, HEREIN, ARE THE PROPERTY OF DATA GENERAL CORPORATION AND SHALL NOT BE REPRODUCED OR COPIED OR USED IN WHOLE OR IN PART AS THE BASIS FOR MANUFACTURE OR SALE OF ITEMS WITHOUT WRITTEN PERMISSION.

REVISIONS			
REV.	DESCRIPTION	DRFTG.	APP. BY DATE



NOTE:
1. R151 & R164 ARE NOMINAL VALUES AND MAY BE CHANGED AT TEST LEVEL.

NOTE: ALL CAPACITORS ARE IN MICROFARADS, AND ALL RESISTORS ARE IN OHMS, 1/4 WATT, WITH 5% TOLERANCE UNLESS OTHERWISE SPECIFIED.

QTY.	DESCRIPTION	PART NO.

UNLESS OTHERWISE SPECIFIED - DIMENSIONS ARE IN INCHES - TOLERANCES ON FRACTIONS DECIMALS ANGLES JOE ± JOCK ± PARTS TO BE FREE FROM BURRS BREAK ALL EDGES .010	DRAWN: CHET JOHNSON 7/24/70 CHECKED: ENGINEER: APPROVED: FIRST USED ON: 107-000136 MATERIAL: FINISH:	DATA GENERAL CORPORATION SOUTHBORO, MASSACHUSETTS 01772 TITLE 2K MEMORY Y DRIVERS
	SCALE	DRAWING NUMBER: 000234 REV: 04