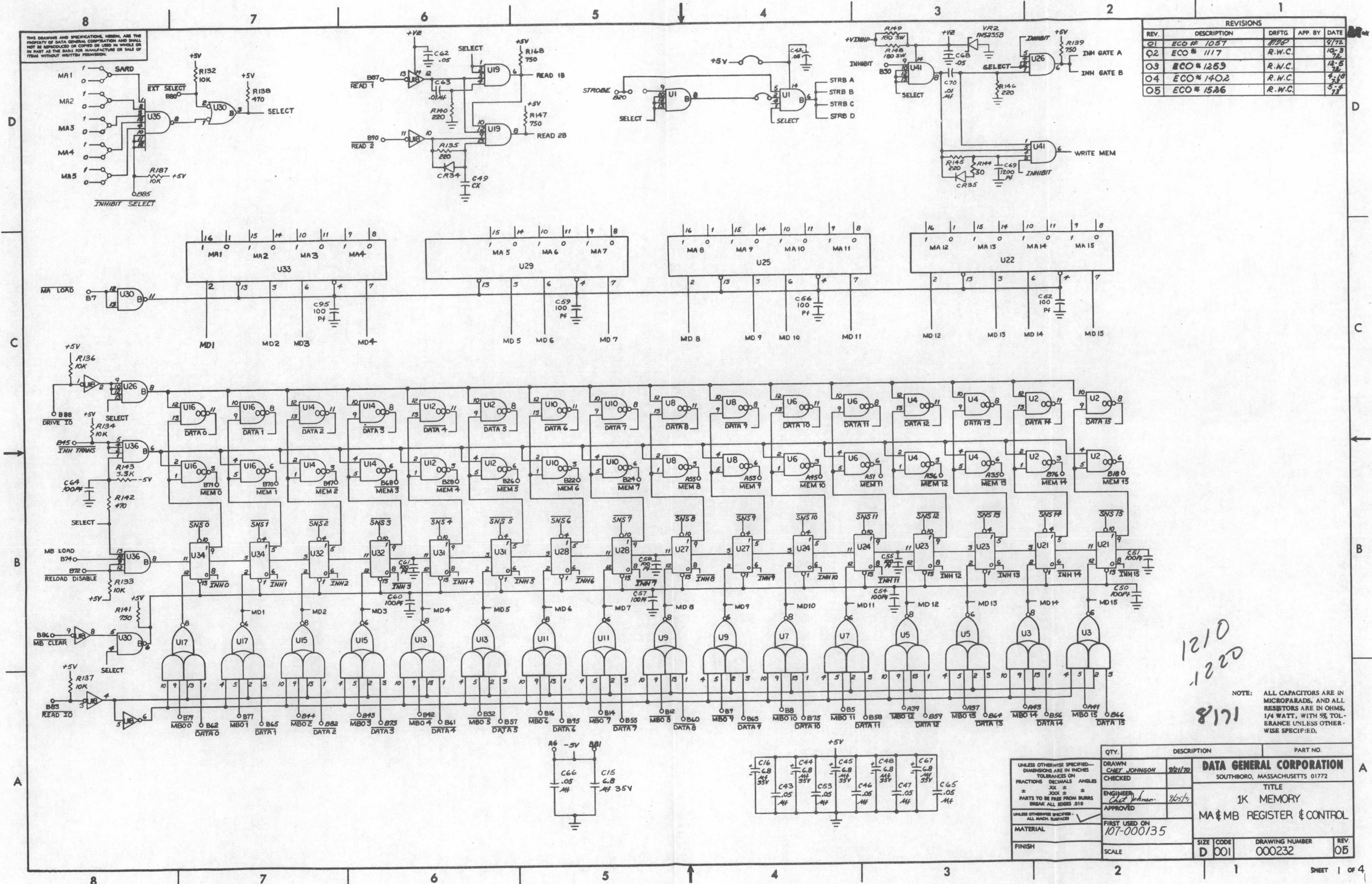


THIS DRAWING AND SPECIFICATIONS, HEREIN, ARE THE PROPERTY OF DATA GENERAL CORPORATION AND SHALL NOT BE REPRODUCED OR COPIED OR USED IN WHOLE OR IN PART AS THE BASIS FOR MANUFACTURE OR SALE OF ITEMS WITHOUT WRITTEN PERMISSION.

REVISIONS				
REV.	DESCRIPTION	DRFTG	APP BY	DATE
01	ECO # 1057	R.W.C.		8/72
02	ECO # 1117	R.W.C.		10-3-72
03	ECO # 1259	R.W.C.		12-8-72
04	ECO # 1402	R.W.C.		4-18-73
05	ECO # 1586	R.W.C.		5-2-73



1210
1220
8171

NOTE: ALL CAPACITORS ARE IN MICROFARADS, AND ALL RESISTORS ARE IN OHMS, 1/4 WATT, WITH 5% TOLERANCE UNLESS OTHERWISE SPECIFIED.

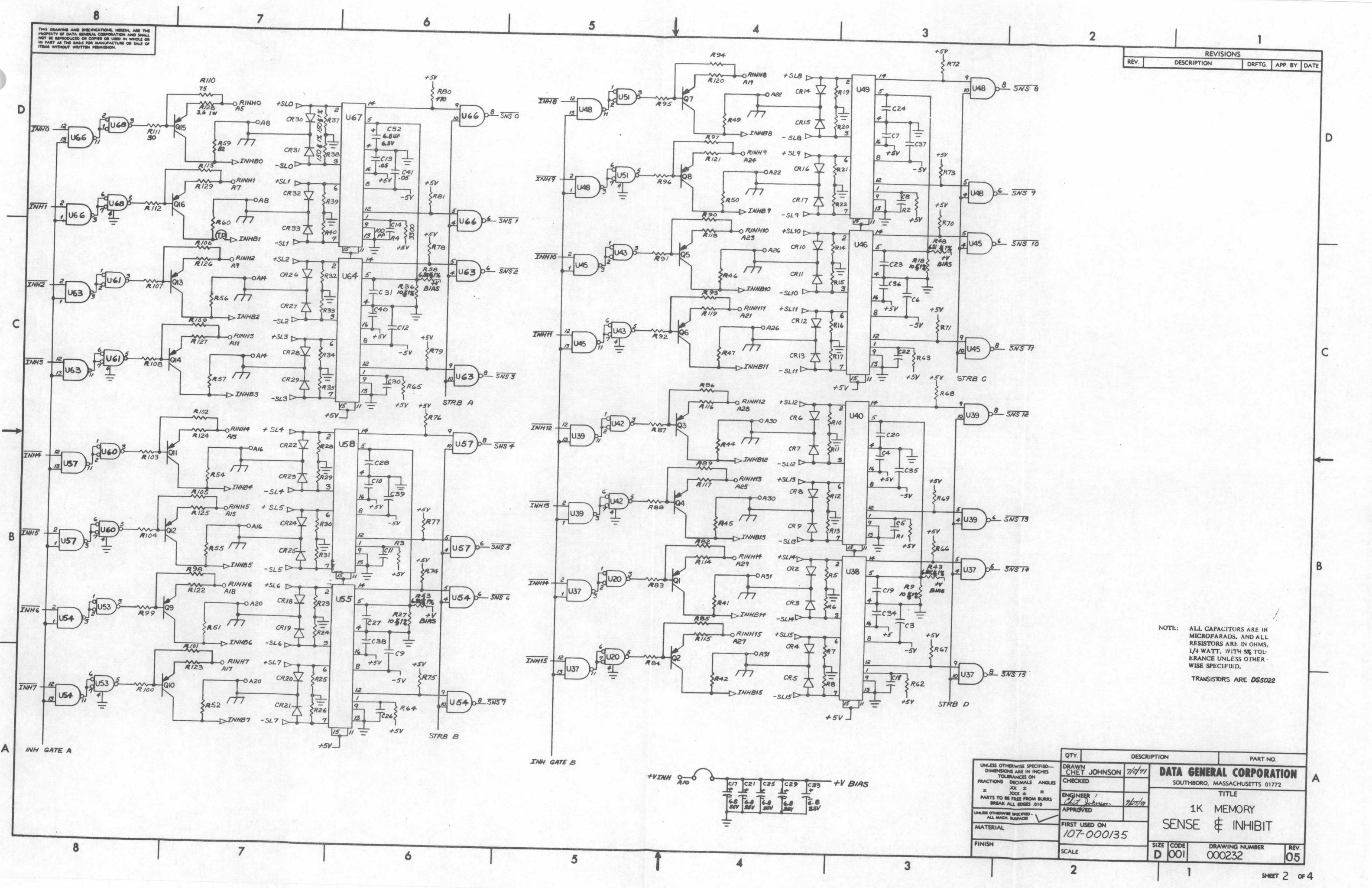
QTY.	DESCRIPTION	PART NO.
	DRAWN CHET JOHNSON	9/21/70
	CHECKED	
	ENGINEER Chet Johnson	9/25/70
	APPROVED	
	FIRST USED ON 107-000135	
	MATERIAL	
	FINISH	
	SCALE	
	SIZE D 001	DRAWING NUMBER 000232
	REV. 05	

DATA GENERAL CORPORATION
SOUTHBORO, MASSACHUSETTS 01772

TITLE
1K MEMORY
MA & MB REGISTER & CONTROL

THIS DRAWING AND SPECIFICATIONS HEREIN ARE THE PROPERTY OF DATA GENERAL CORPORATION AND SHALL NOT BE REPRODUCED OR COPIED OR USED IN WHOLE OR IN PART AS THE BASIS FOR MANUFACTURE OR SALE OF ITEMS WITHOUT WRITTEN PERMISSION.

REVISIONS			
REV.	DESCRIPTION	DRFTG.	APP. BY DATE



NOTE: ALL CAPACITORS ARE IN MICROFARADS, AND ALL RESISTORS ARE IN OHMS, 1/4 WATT, WITH 5% TOLERANCE UNLESS OTHERWISE SPECIFIED.
TRANSISTORS ARE 065022

QTY.	DESCRIPTION	PART NO.

UNLESS OTHERWISE SPECIFIED— DIMENSIONS ARE IN INCHES TOLERANCES ON FRACTIONS DECIMALS ANGLES JOK ± ± PARTS TO BE FREE FROM BURRS BREAK ALL EDGES .010	DRAWN CHET JOHNSON 7/17/71 CHECKED ENGINEER APPROVED FIRST USED ON 107-000/35 MATERIAL FINISH	DATA GENERAL CORPORATION SOUTHBORO, MASSACHUSETTS 01772 TITLE 1K MEMORY SENSE & INHIBIT SIZE CODE D 001 DRAWING NUMBER 000232 REV. 05
---	---	--

THIS DRAWING AND SPECIFICATIONS HEREIN, ARE THE PROPERTY OF DATA GENERAL CORPORATION AND SHALL NOT BE REPRODUCED OR COPIED OR USED IN WHOLE OR IN PART AS THE BASIS FOR MANUFACTURE OR SALE OF ITEMS WITHOUT WRITTEN PERMISSION.

REVISIONS			
REV.	DESCRIPTION	DRFTG.	APP. BY DATE

D

D

C

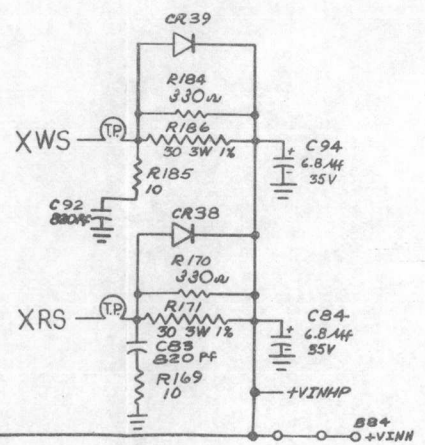
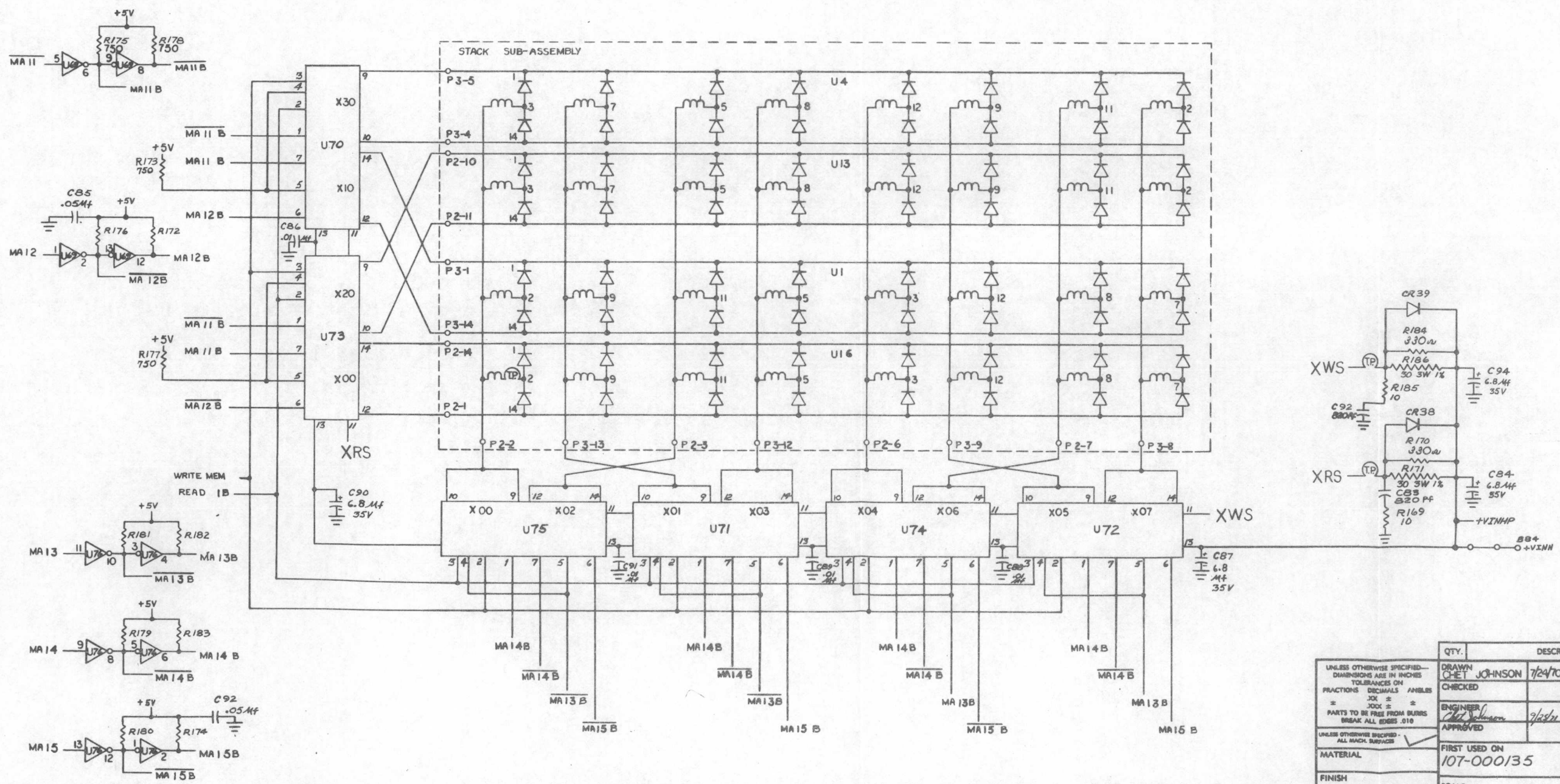
C

B

B

A

A



NOTE:
1. R170 & R184 ARE NOMINAL VALUES AND MA. 3E CHANGED AT TEST LEVEL.

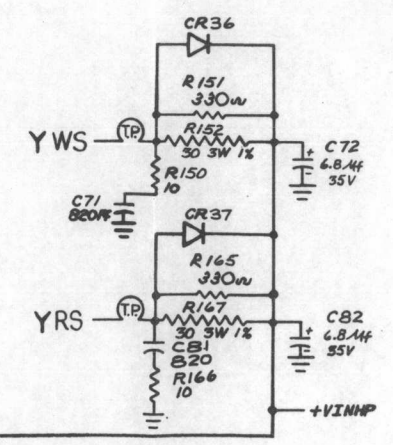
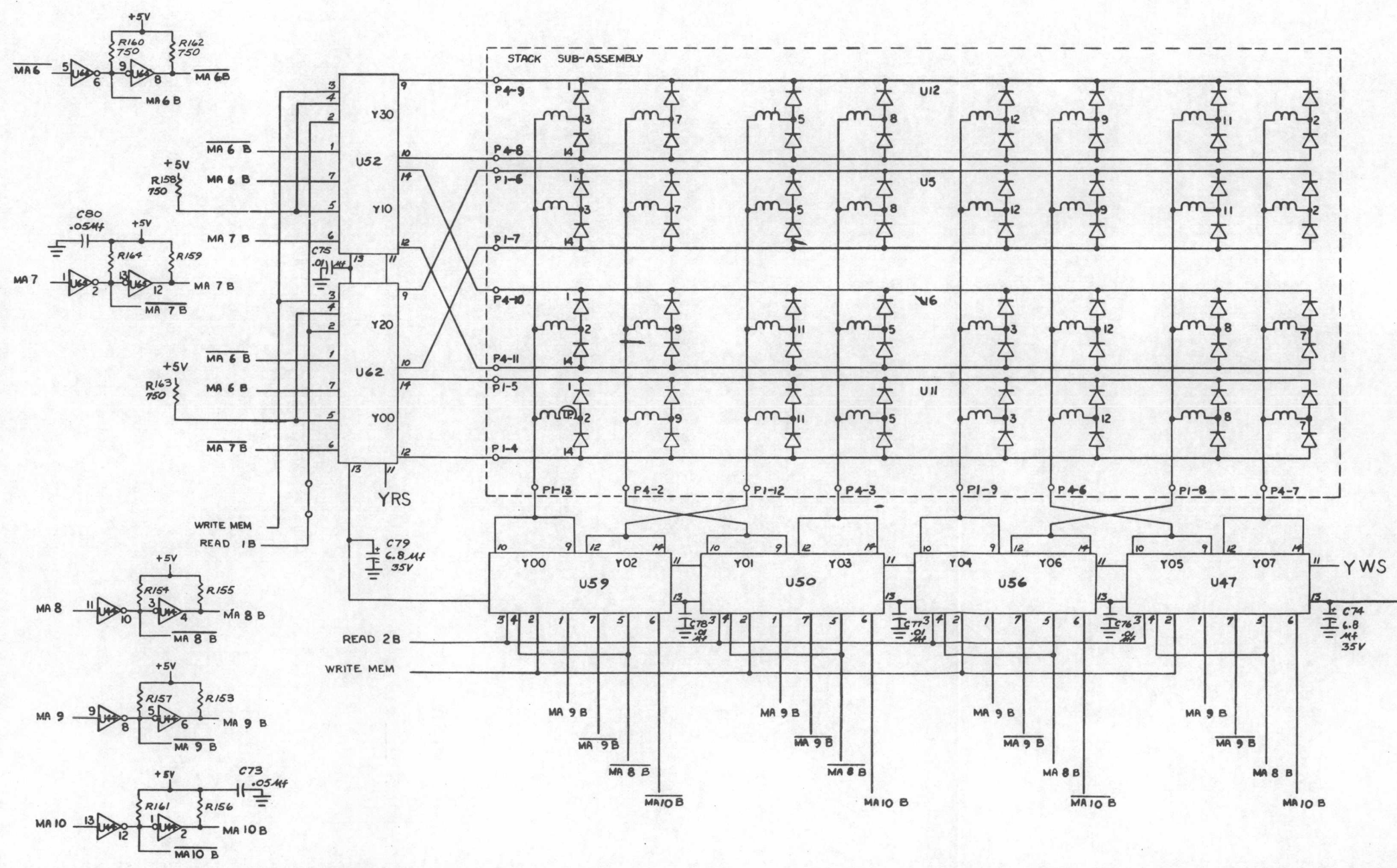
NOTE: ALL CAPACITORS ARE IN MICROPARADS, AND ALL RESISTORS ARE IN OHMS, 1/4 WATT, WITH 5% TOLERANCE UNLESS OTHERWISE SPECIFIED.

QTY.	DESCRIPTION	PART NO.

UNLESS OTHERWISE SPECIFIED— DIMENSIONS ARE IN INCHES TOLERANCES ON FRACTIONS DECIMALS ANGLES X .001 PARTS TO BE FREE FROM BURRS BREAK ALL EDGES .010	DRAWN CHET JOHNSON 7/24/70	DATA GENERAL CORPORATION SOUTHBORO, MASSACHUSETTS 01772
UNLESS OTHERWISE SPECIFIED— ALL INCH SURFACES	ENGINEER Chet Johnson 7/28/70 APPROVED	TITLE 1K MEMORY X DRIVERS
MATERIAL	FIRST USED ON 107-000135	SIZE CODE D 001
FINISH	SCALE	DRAWING NUMBER 000232
		REV 05

THIS DRAWING AND SPECIFICATIONS HERON, ARE THE PROPERTY OF DATA GENERAL CORPORATION AND SHALL NOT BE REPRODUCED OR COPIED OR USED IN WHOLE OR IN PART AS THE BASIS FOR MANUFACTURE OR SALE OF ITEMS WITHOUT WRITTEN PERMISSION.

REVISIONS			
REV.	DESCRIPTION	DRFTG.	APP. BY DATE



NOTE: 1. R151 & 165 ARE NOM. VAL VALUES AND MAY BE CHANGED AT TEST LEVEL.

NOTE: ALL CAPACITORS ARE IN MICROPARADS. AND ALL RESISTORS ARE IN OHMS, 1/4 WATT, WITH 5% TOL- ERANCE UNLESS OTHER- WISE SPECIFIED.

UNLESS OTHERWISE SPECIFIED— DIMENSIONS ARE IN INCHES TOLERANCES ON FRACTIONS DECIMALS ANGLES JOE ± JOOK ± PARTS TO BE FREE FROM BURRS BREAK ALL EDGES .010 UNLESS OTHERWISE SPECIFIED — ALL WASH SURFACES	QTY.	DESCRIPTION	PART NO.
	DRAWN	CHEK	JOHNSON
MATERIAL	CHECKED		
	ENGINEER	APPROVED	3/25/70
FINISH	FIRST USED ON	107-000135	
	SCALE		
DATA GENERAL CORPORATION			PART NO.
SOUTHBORO, MASSACHUSETTS 01772			TITLE
8116			1K MEMORY
SIZE CODE			Y DRIVERS
DRAWING NUMBER			REV
000232			05