

REVISIONS				
REV.	DESCRIPTION	DRFTG.	APP. BY	DATE
01	ECO # 1117	RWC		10-3-72
02	ECO # 1253	RWC		12-5-72
03	ECO # 1402	R.W.C.		4-23-73
04	ECO # 1526	R.W.C.		8-2-73

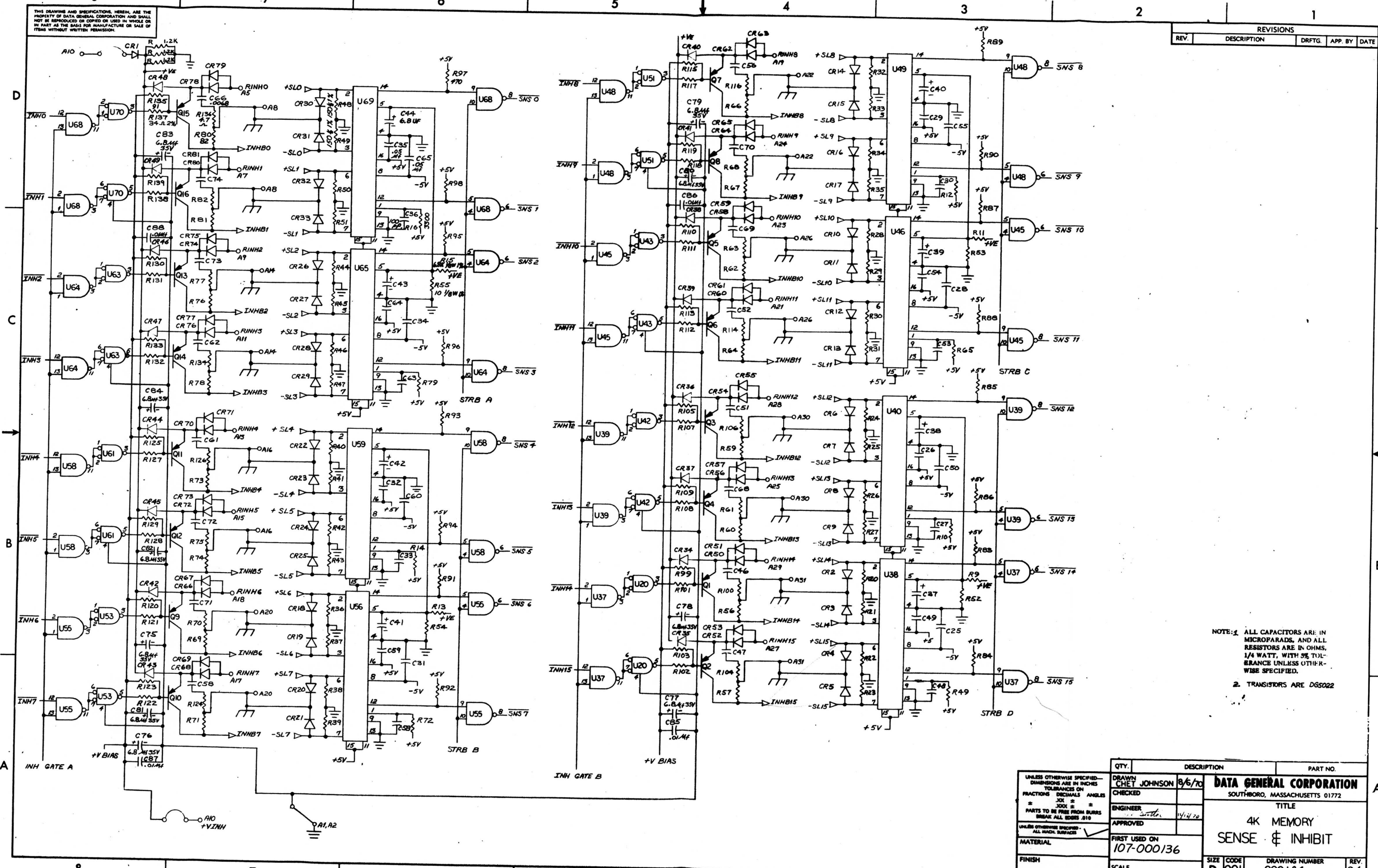
1200
51200 8103

NOTE: ALL CAPACITORS ARE IN MICROFARADS, AND ALL RESISTORS ARE IN OHMS, 1/4 WATT, WITH 5% TOLERANCE UNLESS OTHERWISE SPECIFIED.

QTY.	DESCRIPTION	PART NO.
	DRAWN BY: CHET JOHNSON	9/21/70
	CHECKED BY: JOK	
	ENGINEER: J. J. JOK	10/4/72
	APPROVED: [Signature]	
	FIRST USED ON: 107-000136	
	MATERIAL: [Blank]	
	FINISH: [Blank]	
	SCALE: [Blank]	
	DATA GENERAL CORPORATION SOUTHBORO, MASSACHUSETTS 01772	
	TITLE 4K MEMORY MA & MB REGISTER & CONTROL	
	SIZE: D	CODE: 001
	DRAWING NUMBER: 000194	REV. 04

THIS DRAWING AND SPECIFICATIONS, HEREIN, ARE THE PROPERTY OF DATA GENERAL CORPORATION AND SHALL NOT BE REPRODUCED OR COPIED OR USED IN WHOLE OR IN PART AS THE BASIS FOR MANUFACTURE OR SALE OF ITEMS WITHOUT WRITTEN PERMISSION.

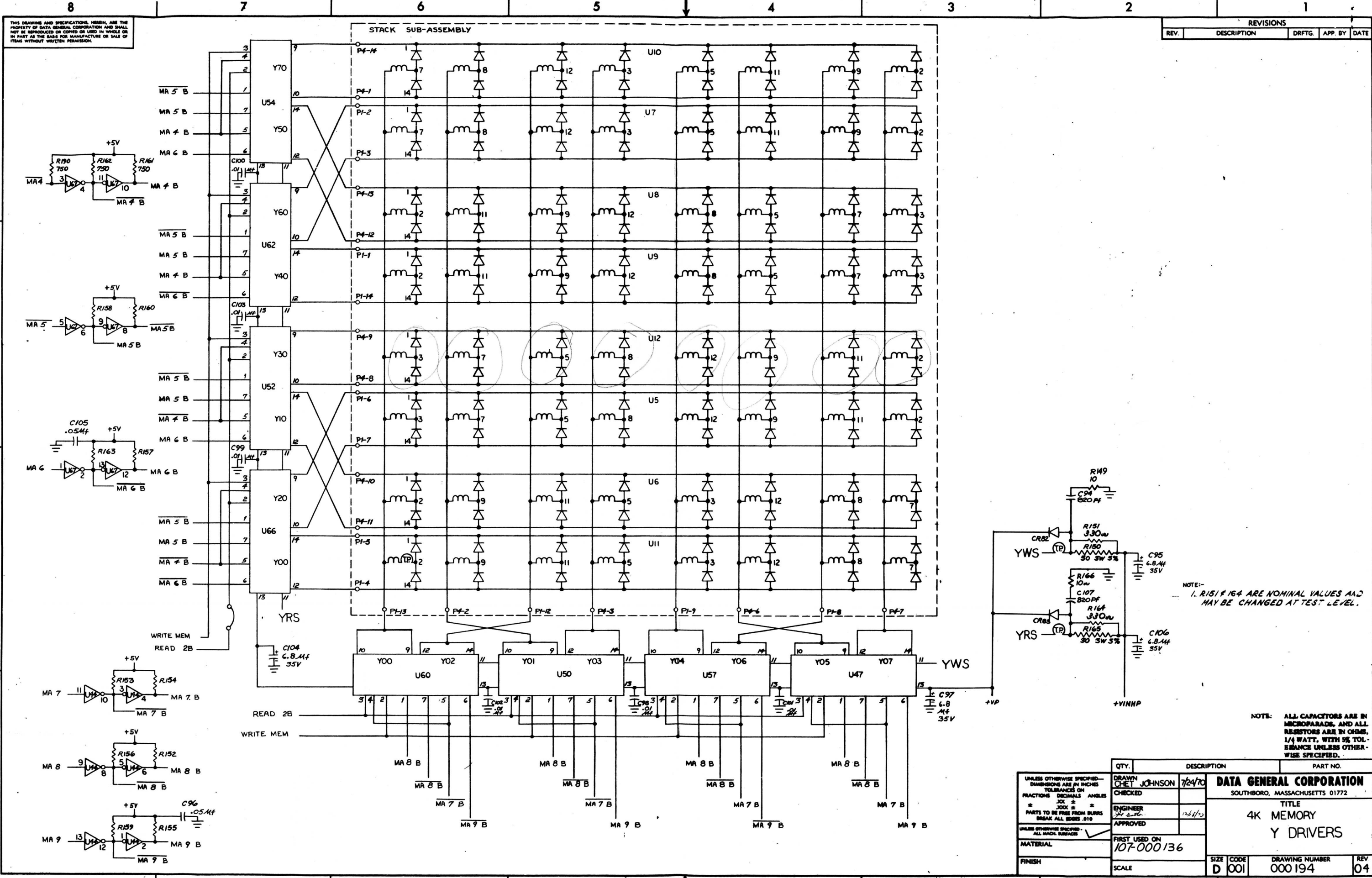
REVISIONS			
REV.	DESCRIPTION	DRFTG.	APP. BY DATE



NOTE: 1. ALL CAPACITORS ARE IN MICROFARADS, AND ALL RESISTORS ARE IN OHMS, 1/4 WATT, WITH 5% TOLERANCE UNLESS OTHERWISE SPECIFIED.
 2. TRANSISTORS ARE DG5022

QTY.	DESCRIPTION	PART NO.

UNLESS OTHERWISE SPECIFIED— DIMENSIONS ARE IN INCHES TOLERANCES ON FRACTIONS DECIMALS ANGLES CHECKED * JOX * PARTS TO BE FREE FROM BURRS BREAK ALL EDGES .010	DRAWN CHET JOHNSON 8/6/70	DATA GENERAL CORPORATION SOUTHBORO, MASSACHUSETTS 01772
UNLESS OTHERWISE SPECIFIED— ALL MACH SURFACES	ENGINEER APPROVED	TITLE 4K MEMORY SENSE & INHIBIT
MATERIAL	FIRST USED ON 107-000136	SIZE CODE D 001
FINISH	SCALE	DRAWING NUMBER 000194
		REV. 04



THIS DRAWING AND SPECIFICATIONS, HEREIN, ARE THE PROPERTY OF DATA GENERAL CORPORATION AND SHALL NOT BE REPRODUCED OR COPIED OR USED IN WHOLE OR IN PART AS THE BASIS FOR MANUFACTURE OR SALE OF ITEMS WITHOUT WRITTEN PERMISSION.

REVISIONS			
REV.	DESCRIPTION	DRFTG.	APP. BY DATE

NOTE: 1. R151 & R164 ARE NOMINAL VALUES AND MAY BE CHANGED AT TEST LEVEL.

NOTE: ALL CAPACITORS ARE IN MICROFARADS, AND ALL RESISTORS ARE IN OHMS, 1/4 WATT, WITH 5% TOLERANCE UNLESS OTHERWISE SPECIFIED.

QTY.	DESCRIPTION	PART NO.

UNLESS OTHERWISE SPECIFIED - DIMENSIONS ARE IN INCHES - FRACTIONS DECIMALS ANGLES JOX ± PARTS TO BE FREE FROM BURRS BREAK ALL SIDES .010		DRAWN CHET JOHNSON 7/24/70		DATA GENERAL CORPORATION	
UNLESS OTHERWISE SPECIFIED - ALL DIMS. IN INCHES		CHECKED		SOUTHBORO, MASSACHUSETTS 01772	
MATERIAL		ENGINEER		TITLE	
FINISH		APPROVED		4K MEMORY Y DRIVERS	
		FIRST USED ON 107-000136		DRAWING NUMBER 000194	
		SCALE		REV. 04	