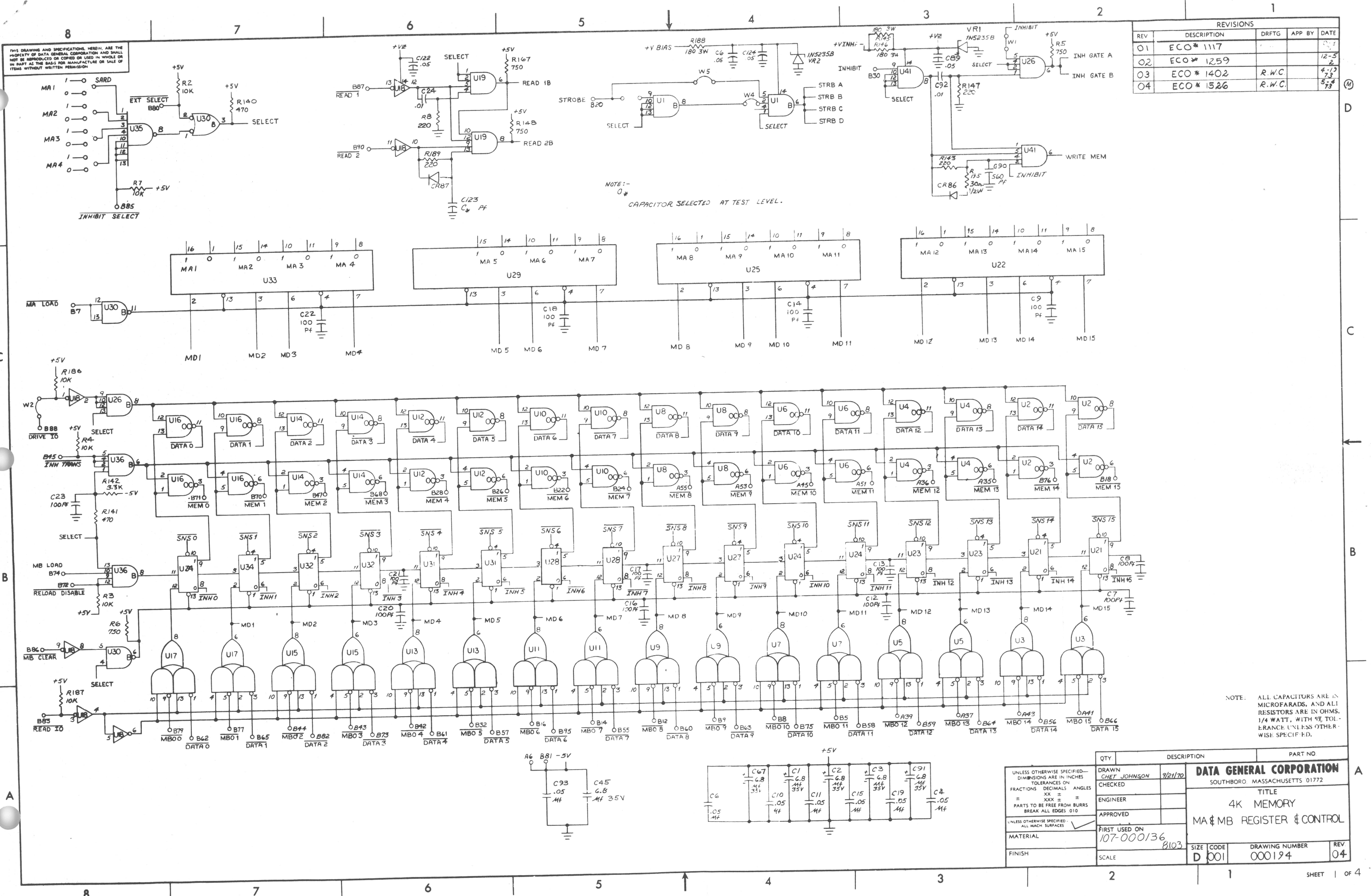


THIS DRAWING AND SPECIFICATIONS HEREIN ARE THE PROPERTY OF DATA GENERAL CORPORATION AND SHALL NOT BE REPRODUCED OR COPIED OR USED IN WHOLE OR IN PART AS THE BASIS FOR MANUFACTURE OR SALE OF ITEMS WITHOUT WRITTEN PERMISSION.

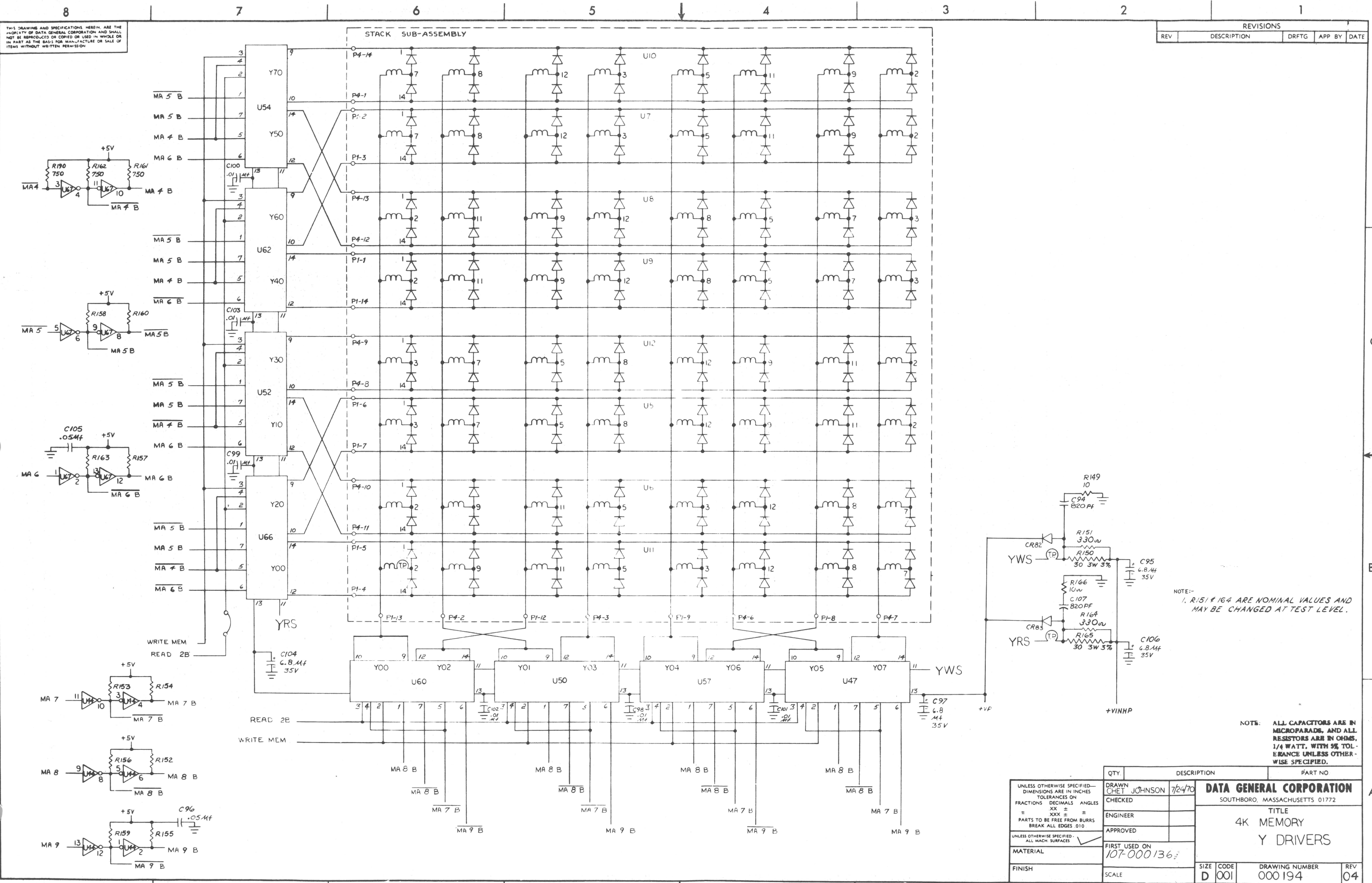
| REVISIONS | | | | |
|-----------|-------------|--------|--------|------|
| REV | DESCRIPTION | DRFTG | APP BY | DATE |
| 01 | ECO* 1117 | | | 12-5 |
| 02 | ECO* 1259 | | | 2 |
| 03 | ECO* 1402 | R.W.C. | | 4-13 |
| 04 | ECO* 1526 | R.W.C. | | 5-78 |



NOTE:-
CAPACITOR SELECTED AT TEST LEVEL.

NOTE: ALL CAPACITORS ARE IN MICROFARADS, AND ALL RESISTORS ARE IN OHMS. 1/4 WATT, WITH 5% TOLERANCE UNLESS OTHERWISE SPECIFIED.

| QTY | DESCRIPTION | PART NO |
|-----|----------------------------------|--|
| | DRAWN CHET JOHNSON 9/21/70 | DATA GENERAL CORPORATION SOUTHBORO MASSACHUSETTS 01772 |
| | CHECKED | TITLE 4K MEMORY MA & MB REGISTER & CONTROL |
| | ENGINEER | MATERIAL |
| | APPROVED | FIRST USED ON 107-000/36 |
| | | SCALE |
| | | SIZE CODE D 001 |
| | | DRAWING NUMBER 000194 |
| | | REV 04 |



THIS DRAWING AND SPECIFICATIONS HEREIN, ARE THE PROPERTY OF DATA GENERAL CORPORATION AND SHALL NOT BE REPRODUCED OR COPIED OR USED IN WHOLE OR IN PART AS THE BASIS FOR MANUFACTURE OR SALE OF ITEMS WITHOUT WRITTEN PERMISSION.

| REVISIONS | | | | |
|-----------|-------------|-------|--------|------|
| REV | DESCRIPTION | DRFTG | APP BY | DATE |
| | | | | |

NOTE: R151 & R164 ARE NOMINAL VALUES AND MAY BE CHANGED AT TEST LEVEL.

NOTE: ALL CAPACITORS ARE IN MICROFARADS, AND ALL RESISTORS ARE IN OHMS, 1/4 WATT, WITH 5% TOLERANCE UNLESS OTHERWISE SPECIFIED.

| UNLESS OTHERWISE SPECIFIED— | | QTY. | DESCRIPTION | PART NO. |
|-----------------------------|--|---------------|--------------|----------|
| DIMENSIONS ARE IN INCHES | | DRAWN | CHET JOHNSON | 7/24/70 |
| TOLERANCES ON | | CHECKED | | |
| FRACTIONS DECIMALS ANGLES | | ENGINEER | | |
| = .XX ± = ± | | APPROVED | | |
| PARTS TO BE FREE FROM BURRS | | FIRST USED ON | 107-000136 | |
| BREAK ALL EDGES .010 | | MATERIAL | | |
| UNLESS OTHERWISE SPECIFIED— | | FINISH | | |
| ALL MACH SURFACES | | SCALE | | |

| | | | |
|--------------------------------|------|----------------|-----|
| DATA GENERAL CORPORATION | | | |
| SOUTHBORO, MASSACHUSETTS 01772 | | | |
| TITLE | | | |
| 4K MEMORY | | | |
| Y DRIVERS | | | |
| SIZE | CODE | DRAWING NUMBER | REV |
| D | 001 | 000194 | 04 |