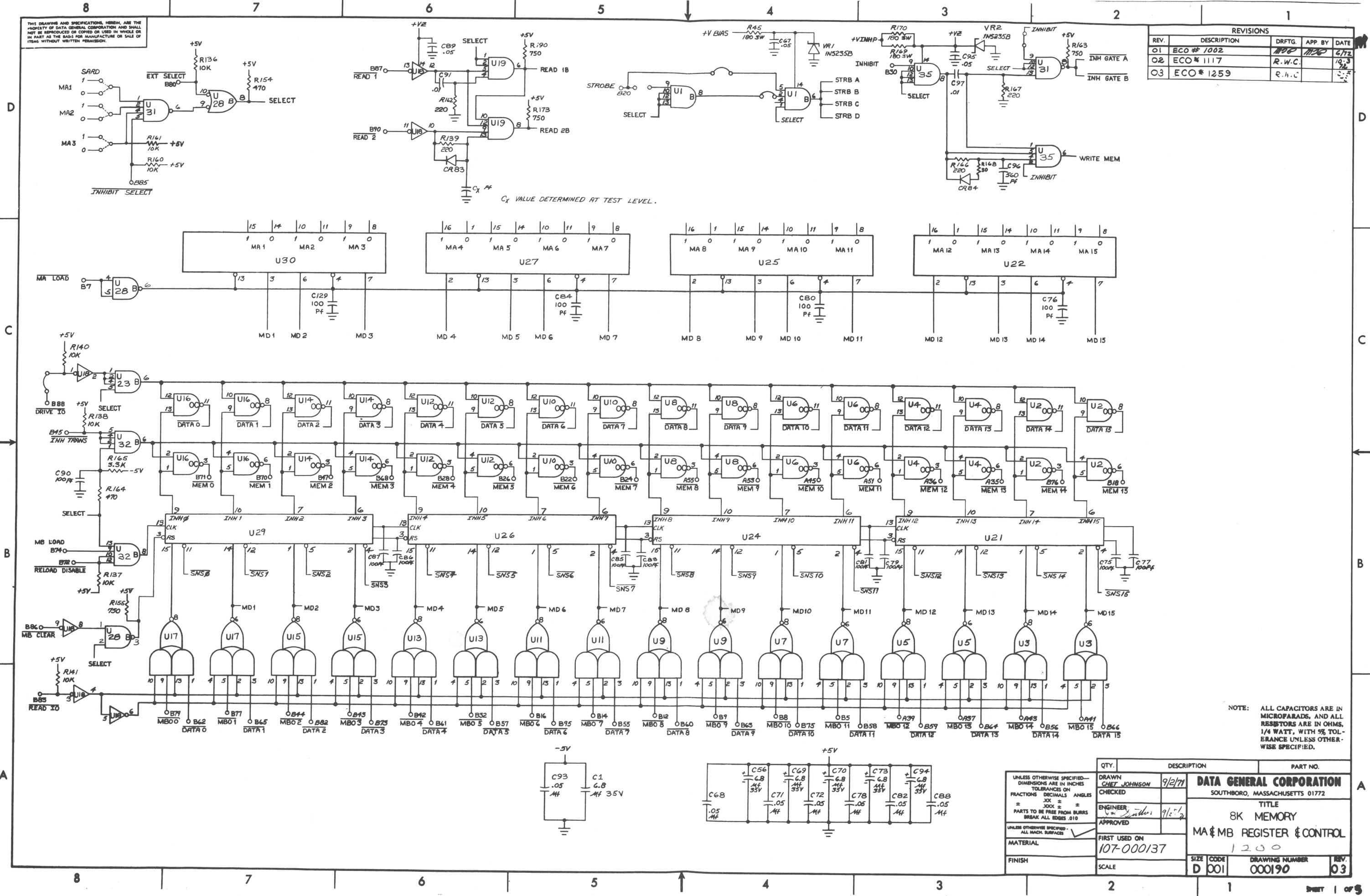


THIS DRAWING AND SPECIFICATIONS HEREIN ARE THE PROPERTY OF DATA GENERAL CORPORATION AND SHALL NOT BE REPRODUCED OR COPIED OR USED IN WHOLE OR IN PART AS THE BASIS FOR MANUFACTURE OR SALE OF ITEMS WITHOUT WRITTEN PERMISSION.

REVISIONS				
REV.	DESCRIPTION	DRFTG.	APP. BY	DATE
01	ECO # 1002	M.P.	M.P.	6/72
02	ECO # 1117	R.W.C.		10/72
03	ECO # 1259	R.H.C.		1/73

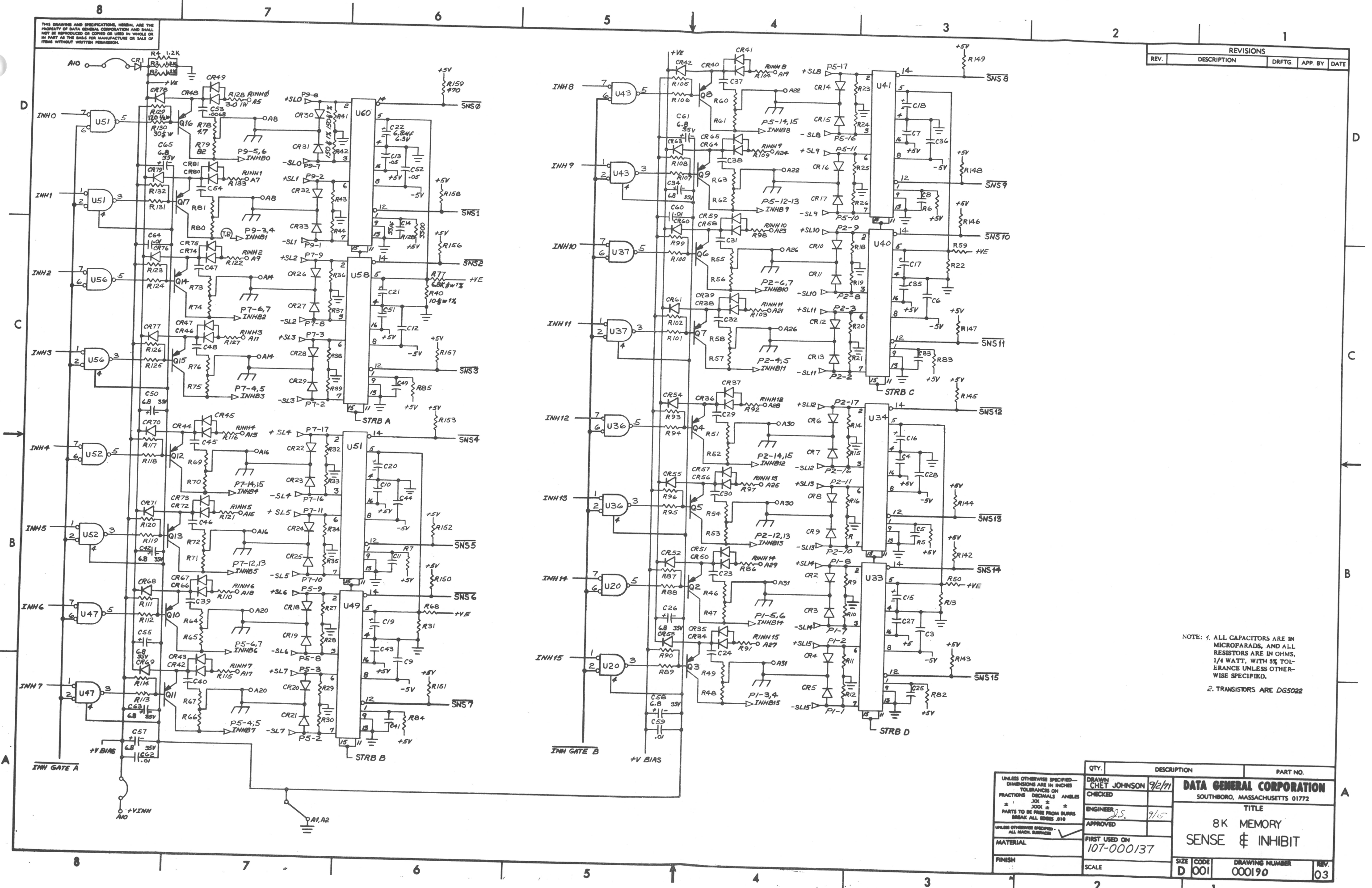


NOTE: ALL CAPACITORS ARE IN MICROFARADS, AND ALL RESISTORS ARE IN OHMS, 1/4 WATT, WITH 5% TOLERANCE UNLESS OTHERWISE SPECIFIED.

QTY.	DESCRIPTION	PART NO.
	UNLESS OTHERWISE SPECIFIED—DIMENSIONS ARE IN INCHES TOLERANCES ON FRACTIONS DECIMALS ANGLES	
	✓ DRAWN CHEY JOHNSON 9/2/77	
	✓ CHECKED	
	✓ ENGINEER J. S. J. 9/2/77	
	✓ APPROVED	
	FIRST USED ON 107-000137	
	MATERIAL	
	FINISH	
	SCALE	
	<b>DATA GENERAL CORPORATION</b>	
	SOUTHBORO, MASSACHUSETTS 01772	
	TITLE	
	8K MEMORY	
	MA & MB REGISTER & CONTROL	
	1200	
	SIZE CODE D 001	DRAWING NUMBER 000190
		REV. 03

THIS DRAWING AND SPECIFICATIONS HEREIN ARE THE PROPERTY OF DATA GENERAL CORPORATION AND SHALL NOT BE REPRODUCED OR COPIED OR USED IN WHOLE OR IN PART AS THE BASIS FOR MANUFACTURE OR SALE OF ITEMS WITHOUT WRITTEN PERMISSION.

REVISIONS			
REV.	DESCRIPTION	DRFTG.	APP. BY DATE

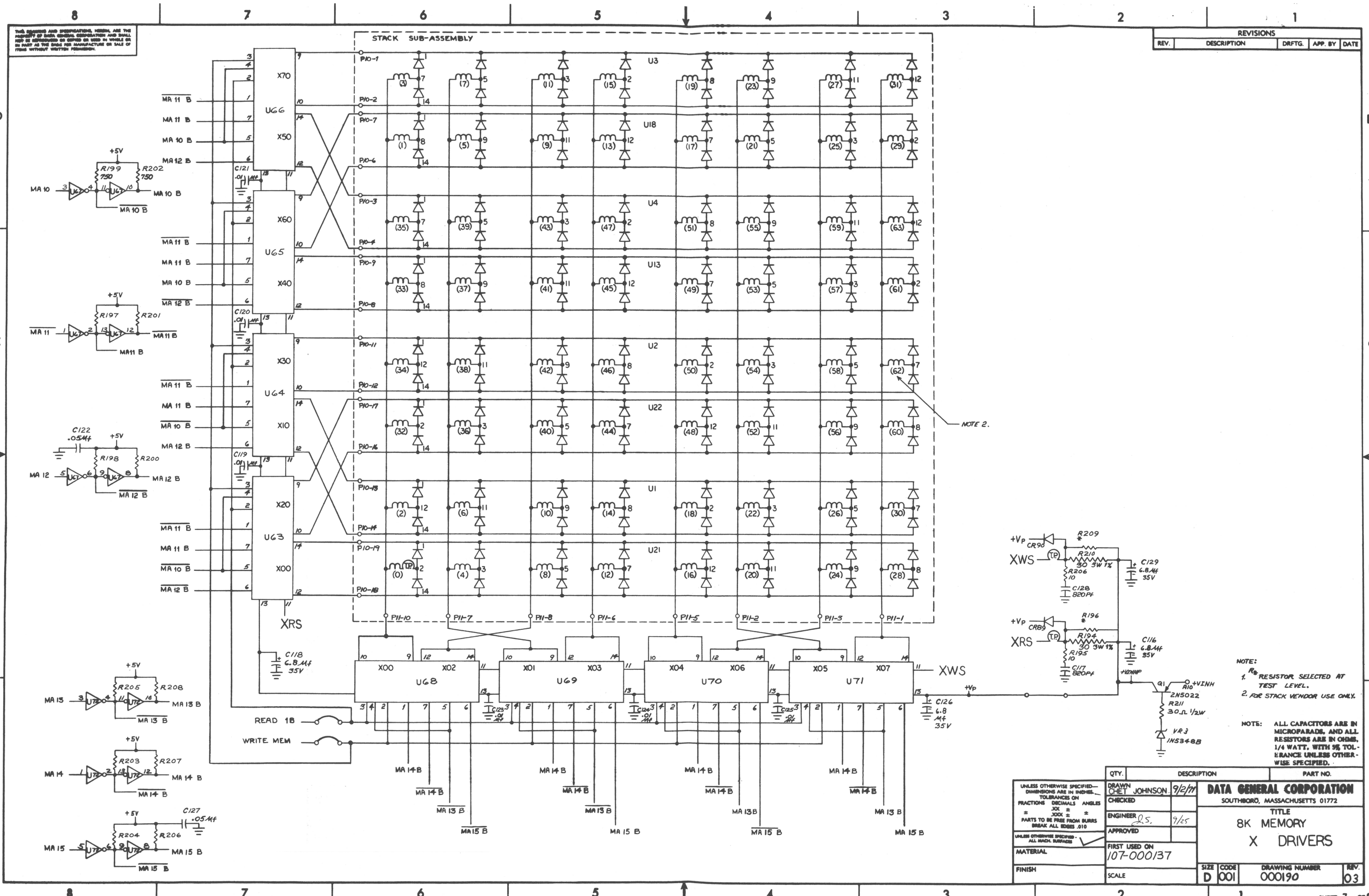


NOTE: 1. ALL CAPACITORS ARE IN MICROFARADS, AND ALL RESISTORS ARE IN OHMS, 1/4 WATT, WITH 5% TOLERANCE UNLESS OTHERWISE SPECIFIED.  
 2. TRANSISTORS ARE DG5022

QTY.	DESCRIPTION	PART NO.

UNLESS OTHERWISE SPECIFIED— DIMENSIONS ARE IN INCHES FRACTIONS DECIMALS ANGLES TOLERANCES ON * .001 ± * PARTS TO BE FREE FROM BURRS BREAK ALL EDGES .010	DRAWN <b>CHET JOHNSON</b> 9/2/71 CHECKED ENGINEER 25. 9/5 APPROVED	<b>DATA GENERAL CORPORATION</b> SOUTHBORO, MASSACHUSETTS 01772 TITLE <b>8K MEMORY          SENSE &amp; INHIBIT</b>
UNLESS OTHERWISE SPECIFIED— ALL MACH. SURFACES	FIRST USED ON 107-000137	SIZE CODE D 001 DRAWING NUMBER 000190 REV. 03



THIS DRAWING AND SPECIFICATIONS, HEREIN, ARE THE PROPERTY OF DATA GENERAL CORPORATION AND SHALL NOT BE REPRODUCED OR COPIED IN WHOLE OR IN PART AS THE BASIS FOR MANUFACTURE OR SALE OF ITEMS WITHOUT WRITTEN PERMISSION.

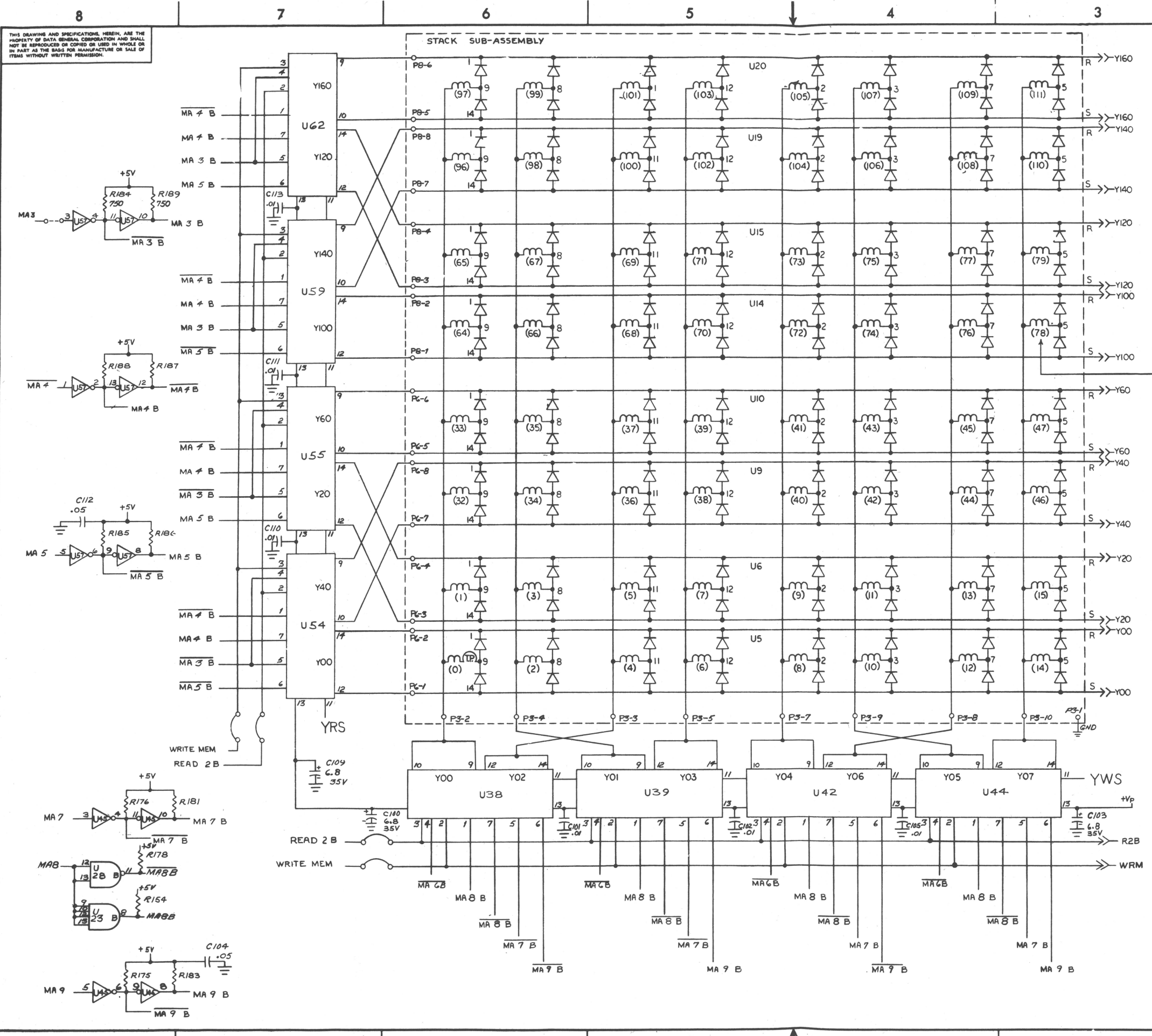
REVISIONS				
REV.	DESCRIPTION	DRFTG.	APP. BY	DATE

NOTE 2.

NOTE:  
 1.  $R_{96}$  RESISTOR SELECTED AT TEST LEVEL.  
 2. FOR STACK VENDOR USE ONLY.

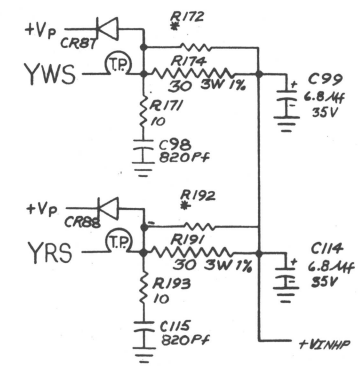
NOTE: ALL CAPACITORS ARE IN MICROPARADES, AND ALL RESISTORS ARE IN OHMS, 1/4 WATT, WITH 5% TOLERANCE UNLESS OTHERWISE SPECIFIED.

QTY.	DESCRIPTION	PART NO.
	<b>DATA GENERAL CORPORATION</b>	
	SOUTHBORO, MASSACHUSETTS 01772	
	TITLE	
	<b>8K MEMORY</b>	
	<b>X DRIVERS</b>	
	SIZE	CODE
	D	001
	DRAWING NUMBER	
	000190	
	REV.	
	03	



REVISIONS				
REV.	DESCRIPTION	DRFTG.	APP. BY	DATE

NOTE 2



- NOTE:
- R\* RESISTORS SELECTED AT TEST LEVEL.
  - 2. FOR STACK VENDOR USE ONLY.

S=SOURCE  
R=RETURN

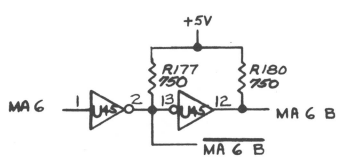
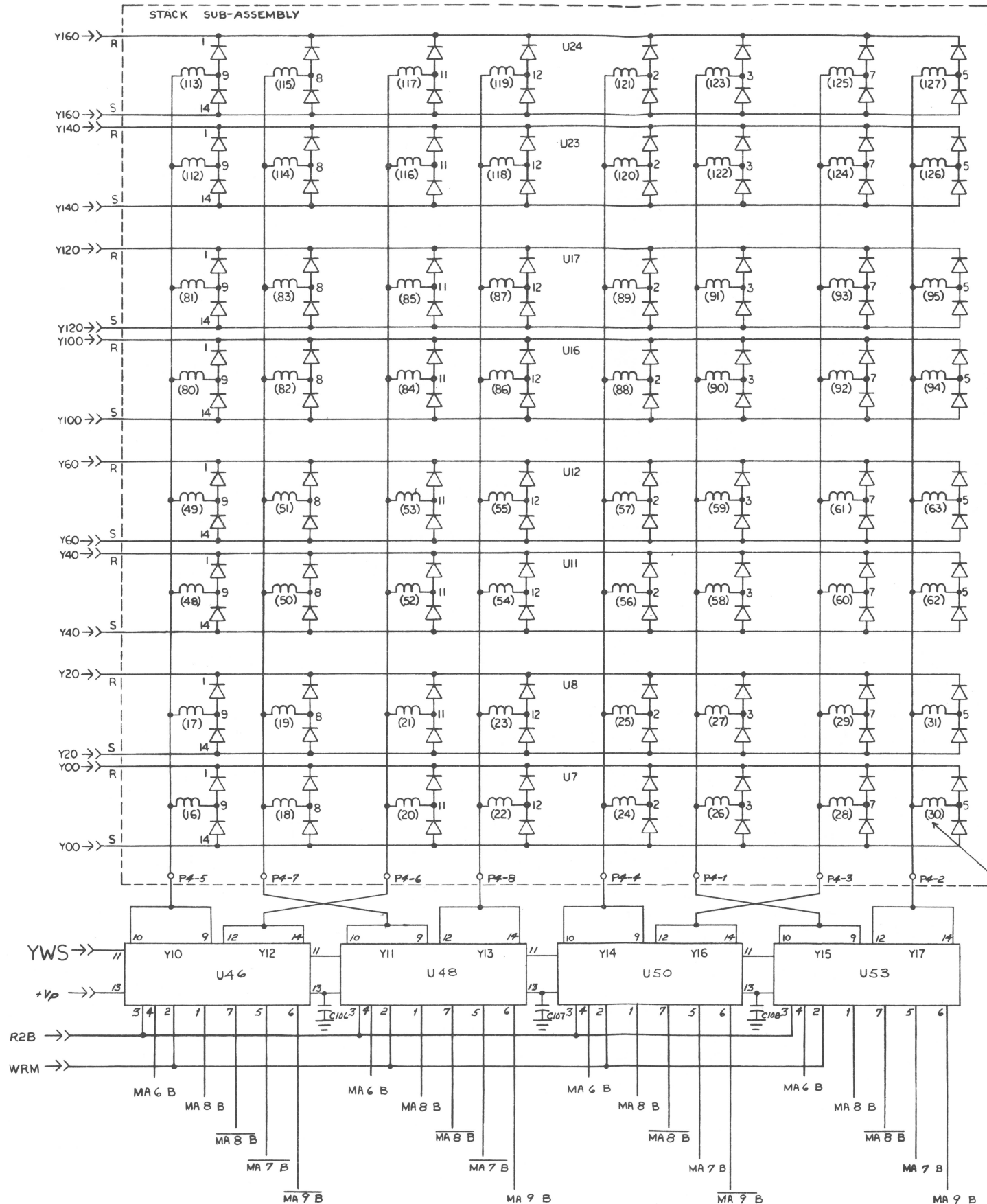
NOTE: ALL CAPACITORS ARE IN MICROFARADS, AND ALL RESISTORS ARE IN OHMS. 1/4 WATT, WITH 5% TOLERANCE UNLESS OTHERWISE SPECIFIED.

QTY.	DESCRIPTION	PART NO.

DRAWN: CHET JOHNSON CHECKED: [Signature] ENGINEER: J.S. APPROVED: [Signature]	<b>DATA GENERAL CORPORATION</b> SOUTHBORO, MASSACHUSETTS 01772 TITLE: <b>8K MEMORY Y DRIVERS</b>
FIRST USED ON: <b>107-000137</b>	SIZE: D CODE: 001 DRAWING NUMBER: 000190 REV: 03

THIS DRAWING AND SPECIFICATIONS HEREIN, ARE THE PROPERTY OF DATA GENERAL CORPORATION AND SHALL NOT BE REPRODUCED OR COPIED OR USED IN WHOLE OR IN PART AS THE BASIS FOR MANUFACTURE OR SALE OF ITEMS WITHOUT WRITTEN PERMISSION.

REVISIONS				
REV.	DESCRIPTION	DRFTG	APP BY	DATE



NOTE 1

NOTE:-  
1. FOR STACK VENDOR USE ONLY.

NOTE: ALL CAPACITORS ARE IN MICROFARADS, AND ALL RESISTORS ARE IN OHMS, 1/4 WATT, WITH 5% TOLERANCE UNLESS OTHERWISE SPECIFIED.

QTY.	DESCRIPTION	PART NO.
DRAWN CHET JOHNSON 9/3/77		
CHECKED		
ENGINEER J.S. 9/25		
APPROVED		
FIRST USED ON 107-000137		
MATERIAL		
FINISH		
SCALE		
UNLESS OTHERWISE SPECIFIED— DIMENSIONS ARE IN INCHES FRACTIONS DECIMALS ANGLES X.XX ± X.XXX ± X.XXX ± PARTS TO BE FREE FROM BURRS BREAK ALL EDGES .010		
UNLESS OTHERWISE SPECIFIED— ALL MACH SURFACES		
<b>DATA GENERAL CORPORATION</b> SOUTHBORO, MASSACHUSETTS 01772		
TITLE <b>8K MEMORY Y DRIVERS</b>		
SIZE D	CODE 001	DRAWING NUMBER 000190
		REV 03