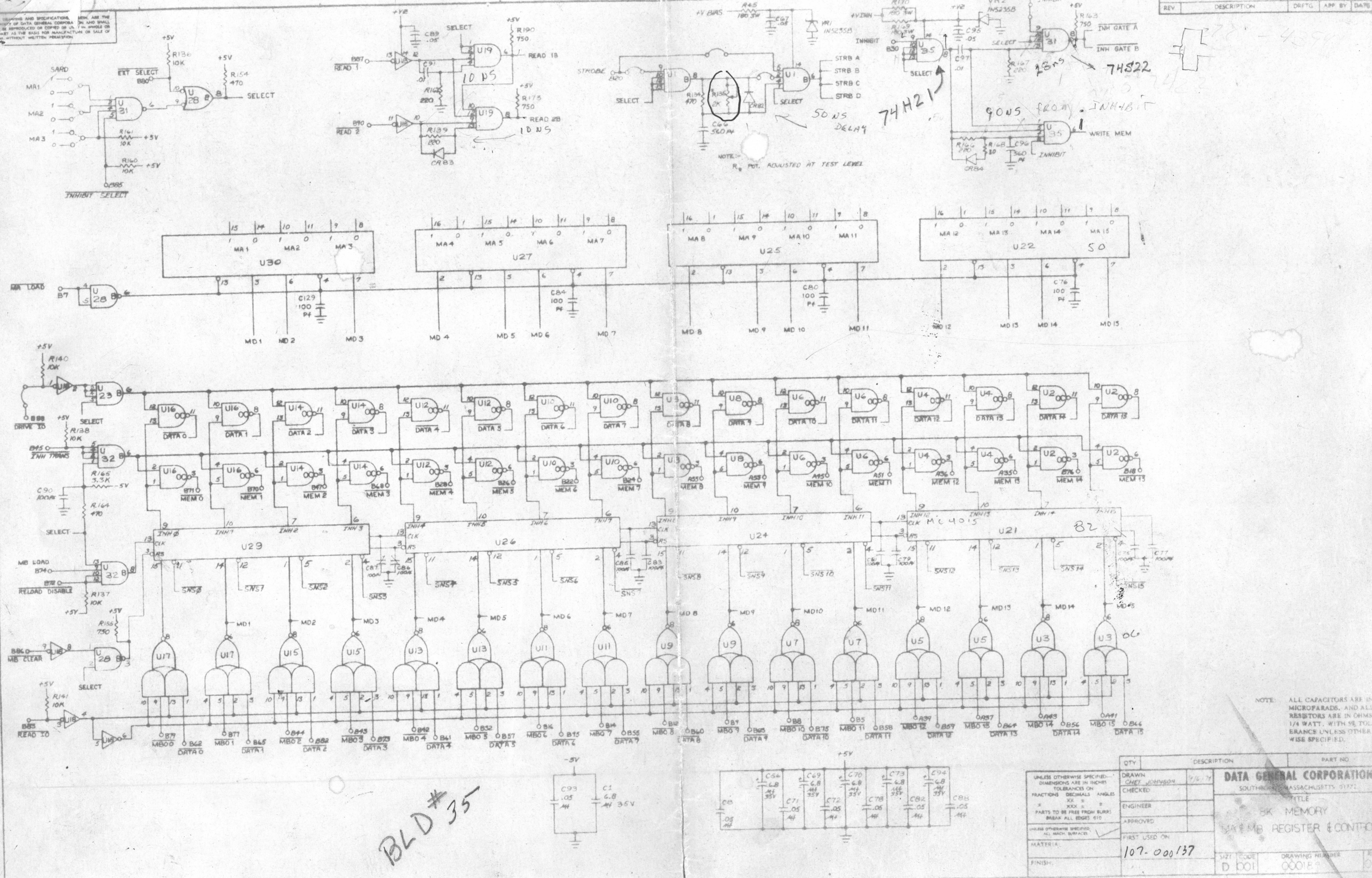


THIS DRAWING AND SPECIFICATIONS ARE THE PROPERTY OF DATA GENERAL CORPORATION AND SHALL NOT BE REPRODUCED OR COPIED IN ANY MANNER OR PART THEREOF AS THE BASIS FOR MANUFACTURE OR SALE OF ANY PRODUCT WITHOUT WRITTEN PERMISSION.

REVISIONS				
REV	DESCRIPTION	DRFTG	APP BY	DATE



BLD #35

QTY	DESCRIPTION	PART NO

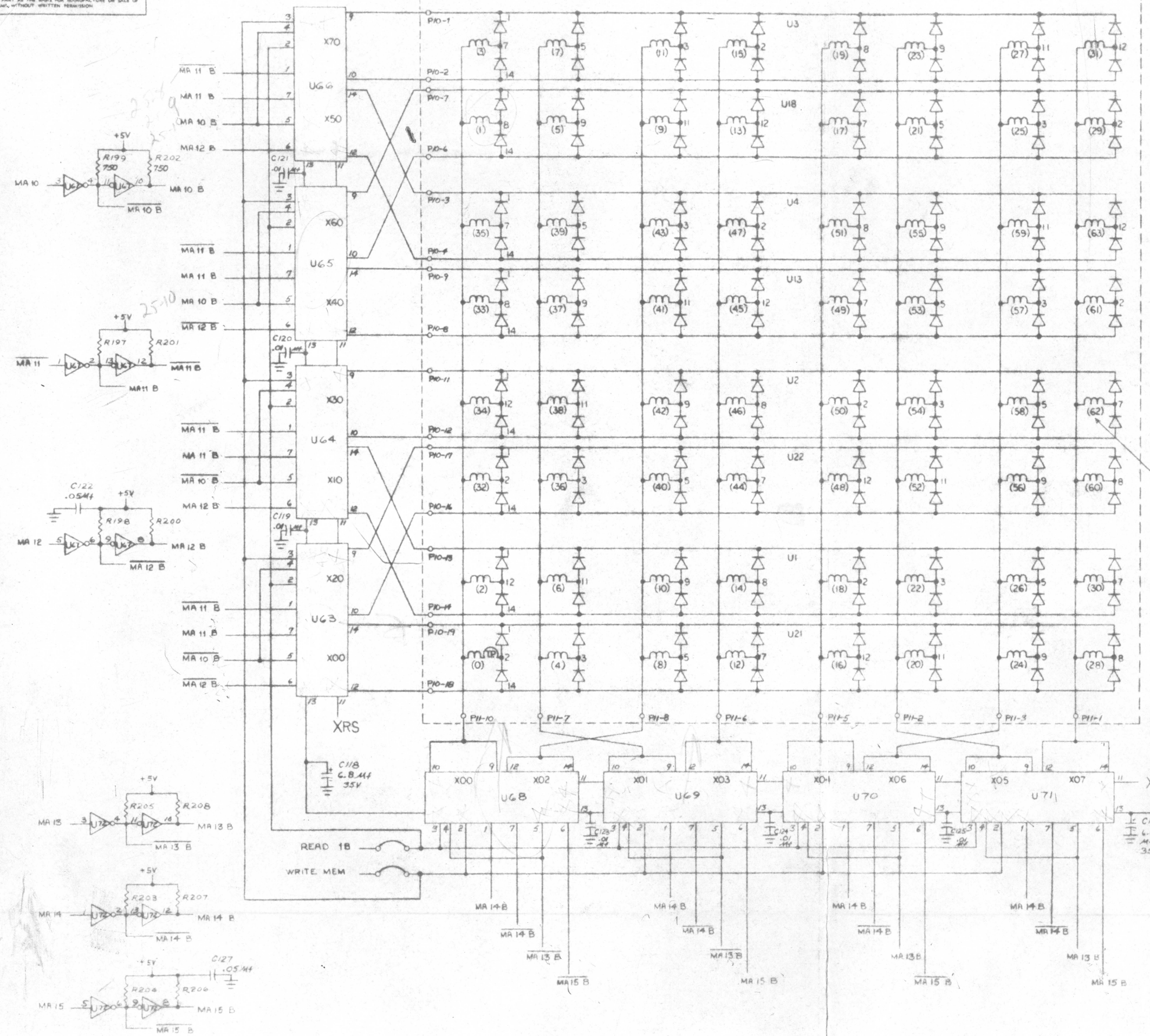
UNLESS OTHERWISE SPECIFIED: DIMENSIONS ARE IN INCHES FRACTIONS DECIMALS ANGLES XX 1/2 PARTS TO BE FREE FROM BURRS BABAK ALL EDGES 010	DRAWN CHECKED ENGINEER APPROVED FIRST USED ON	DATE 107-000137
--	---	--------------------

DATA GENERAL CORPORATION SOUTH BRIDGE, MASSACHUSETTS 01772		
TITLE BK MEMORY MAY MB REGISTER & CONTROL		
SIZT CODE D 001	DRAWING NUMBER 00018	REV 100

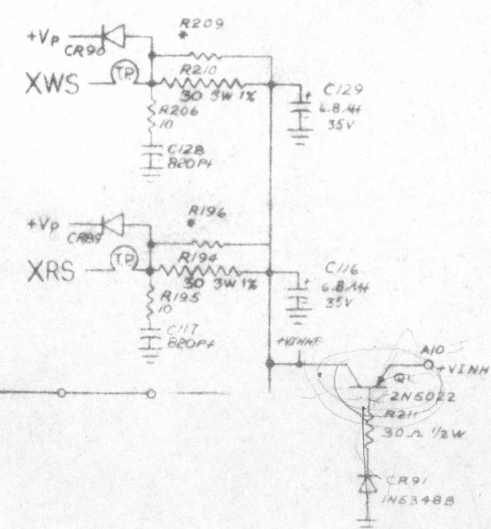
THIS DRAWING AND SPECIFICATIONS HEREBY ARE THE PROPERTY OF DATA GENERAL CORPORATION AND SHALL NOT BE REPRODUCED OR COPIED OR USED IN WHOLE OR IN PART AS THE BASIS FOR MANUFACTURE OR SALE OF ITEMS, WITHOUT WRITTEN PERMISSION.

REVISIONS			
REV	DESCRIPTION	DRFTG	APP BY DATE

STACK SUB-ASSEMBLY



NOTE 2



NOTE:
 1. RESISTOR SELECTED AT TEST LEVEL.
 2. FOR STACK VENDOR USE ONLY.

NOTE: ALL CAPACITORS ARE IN MICROPARADS, AND ALL RESISTORS ARE IN OHMS, 1/4 WATT, WITH 5% TOLERANCE UNLESS OTHERWISE SPECIFIED.

QTY	DESCRIPTION	PART NO

UNLESS OTHERWISE SPECIFIED—DIMENSIONS ARE IN INCHES—TOLERANCES ON FRACTIONS DECIMALS ANGLES 1/16 1/32 1/64 1/8 1/4 3/8 1/2 3/4 1 1 1/4 1 1/2 2 3 4 6 8 12 18 24 36 48 60 72 96 120 144 180 240 360 .1 .2 .3 .4 .5 .6 .8 1 1.5 2 3 4 6 8 12 18 24 36 48 60 72 96 120 144 180 240 360 PARTS TO BE FREE FROM BURRS BREAK ALL EDGES 0.0	DRAWN CHET JOHNSON 12/77	DATA GENERAL CORPORATION SOUTHBORO, MASSACHUSETTS 01772
UNLESS OTHERWISE SPECIFIED—ALL MACH SURFACES	CHECKED	TITLE 8K MEMORY X DRIVERS
	ENGINEER	
	APPROVED	
	FIRST USED ON 107-000137	
MATERIAL		
FINISH		

SIZE D	CODE 001	DRAWING NUMBER 000189	REV 00
-----------	-------------	--------------------------	-----------

