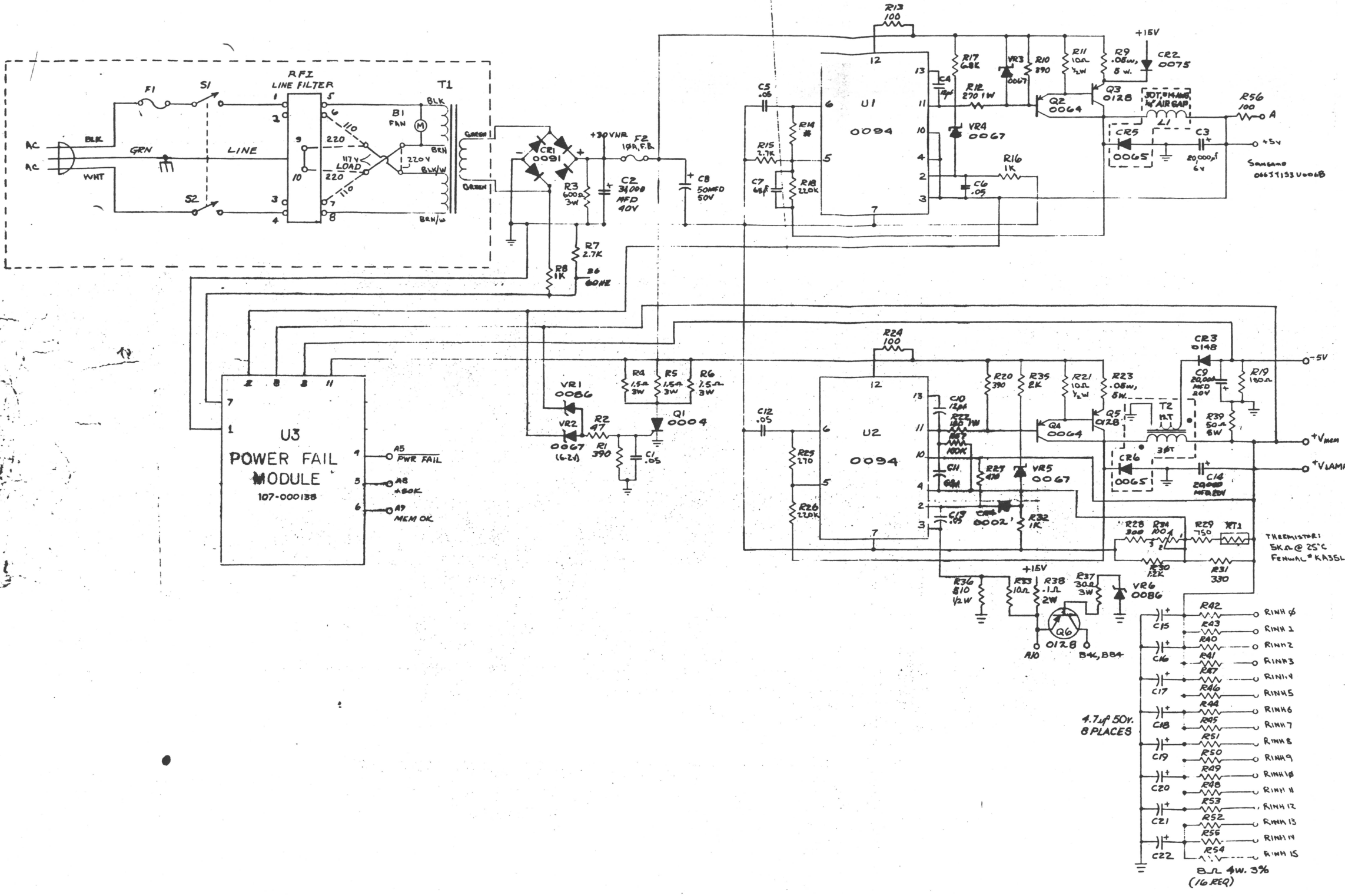


THIS DRAWING AND SPECIFICATIONS HEREIN ARE THE PROPERTY OF DATA GENERAL CORPORATION AND SHALL NOT BE REPRODUCED OR COPIED OR USED IN WHOLE OR IN PART AS THE BASIS FOR MANUFACTURE OR SALE OF ITEMS WITHOUT WRITTEN PERMISSION.

REVISIONS				
REV.	DESCRIPTION	DRFTG.	APP BY	DATE
01	REV PER MKD PRINT	RMS		11/7/74
02	REV PER ECO # 809	RMS		1-24-75
03	REV PER ECO # 829	RMS		3-17-75
04	ECO # 1052 CHANGE OF VALUE 0.05 PLACES TO 0.10 IN 8 PLACES	R.W.C.		10-16-75
05	ECO # 1157 CHANGE OF VALUE 0.05 3W 3% (16 REQ) TO 0.10 4W 3% (16 REQ)	R.W.C.		10-16-75
06	ECO # 1478	R.W.C.		3-21-75
07	ECO # 1556	R.W.C.		10-16-75
08	ECO # 1943	R.W.C.		10-16-75
09	ECO # 2100	R.W.C.		1-27-75
10	ECO # 2211	R.W.C.		1-27-75
11	ECO # 2363	R.W.C.		4-10-75
12	ECO # 2521	G.W.M.		7-6-75
13	ECO # 2876	R.J.S.		12-16-75
14	ECO # 3849	R.J.S.		11/75



NOTES:
1. * RESISTOR VALUES SELECTED AT TEST.

NMC		QTY.	DESCRIPTION	PART NO
UNLESS OTHERWISE SPECIFIED - DIMENSIONS ARE IN INCHES	DRAWN R. SMITH			
FRACTIONS ON TOLERANCES ON DECIMALS ANGLES	CHECKED			
± .001 ± .002 ± .005 ± .010	ENGINEER R. GRUNER			
PARTS TO BE FREE FROM BURRS BREAK ALL EDGES .010	APPROVED			
UNLESS OTHERWISE SPECIFIED - ALL MACH SURFACES	FIRST USED ON 1210			
MATERIAL	107-000109			
FINISH	SCALE			

DATA GENERAL CORPORATION SOUTHBORO, MASSACHUSETTS 01772		TITLE	
		BACK PNL 1210 POWER SUPPLY	
SIZE	CODE	DRAWING NUMBER	RF
D	001	000172	14