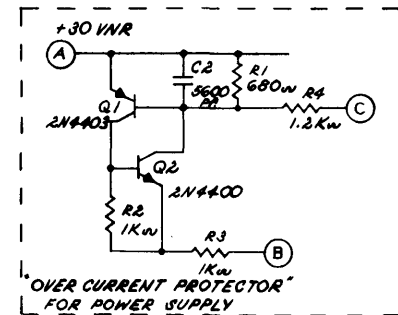
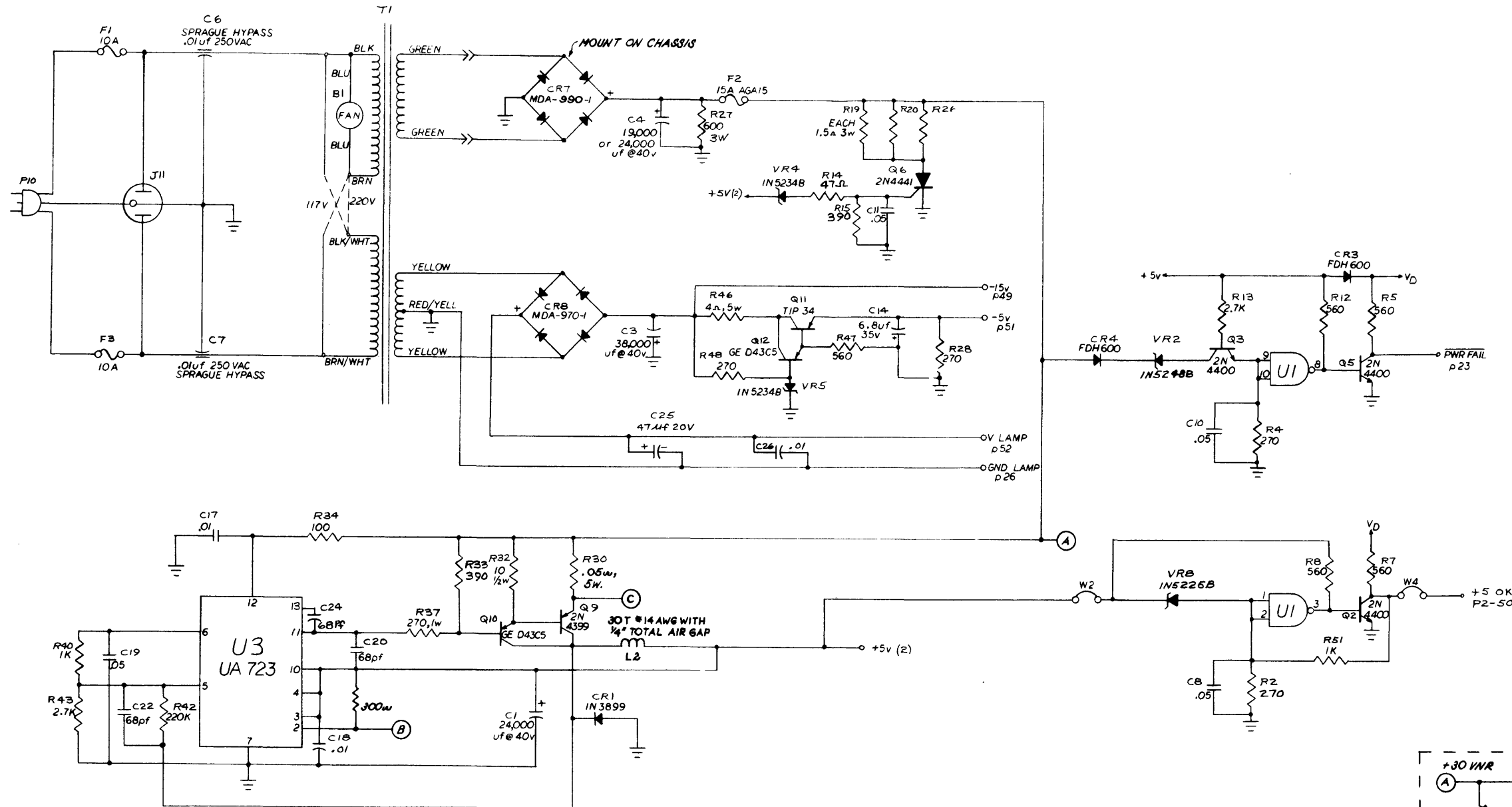


THIS DRAWING AND SPECIFICATIONS, HEREIN, ARE THE PROPERTY OF DATA GENERAL CORPORATION AND SHALL NOT BE REPRODUCED OR COPIED OR USED IN WHOLE OR IN PART AS THE BASIS FOR MANUFACTURE OR SALE OF ITEMS WITHOUT WRITTEN PERMISSION.

REVISIONS				
REV	DESCRIPTION	DRFTG	APP BY	DATE
01	REVISED & REDRAWN	R.W.C.		11-18-71
02	ECO # 801	R.W.C.		3/72
03	ECO # 897	R.W.C.		3/72
04	ECO # 1034	R.W.C.		8/72
05	ECO # 1053	R.W.C.		8/72
06	ECO # 1077	R.W.C.		8/72
07	ECO # 1534	R.W.C.		5-18
08	ECO # 1717	R.W.C.		7-11



QTY	DESCRIPTION	PART NO
	UNLESS OTHERWISE SPECIFIED— DIMENSIONS ARE IN INCHES— TOLERANCES ON FRACTIONS DECIMALS ANGLES = PARTS TO BE FREE FROM BURRS BREAK ALL EDGES 010	
	UNLESS OTHERWISE SPECIFIED— ALL MACH SURFACES	
	FINISH	
	SCALE	
DRAWN D.F. CRAFT 11-18-71	CHECKED R. GRUNER 11-18-71	APPROVED 107-000079
DATA GENERAL CORPORATION SOUTHBORO, MASSACHUSETTS 01772 TITLE 800/1200 SINGLE +5 POWER SUPPLY		
SIZE D	CODE 001	DRAWING NUMBER 000149
REV 08		