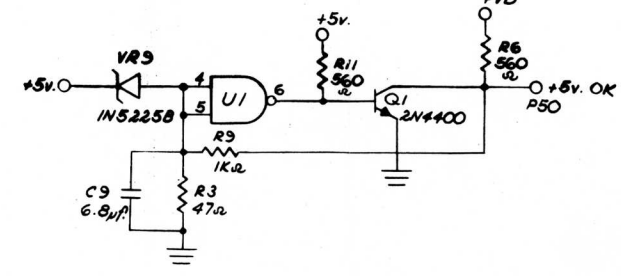
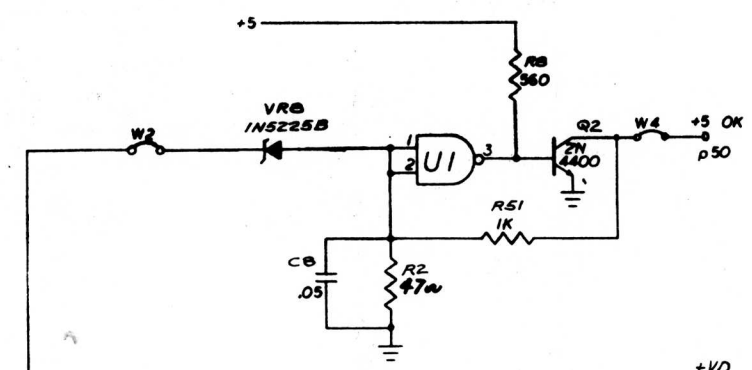
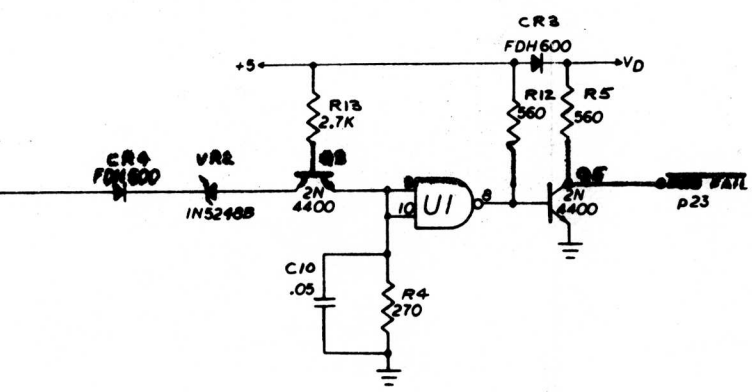
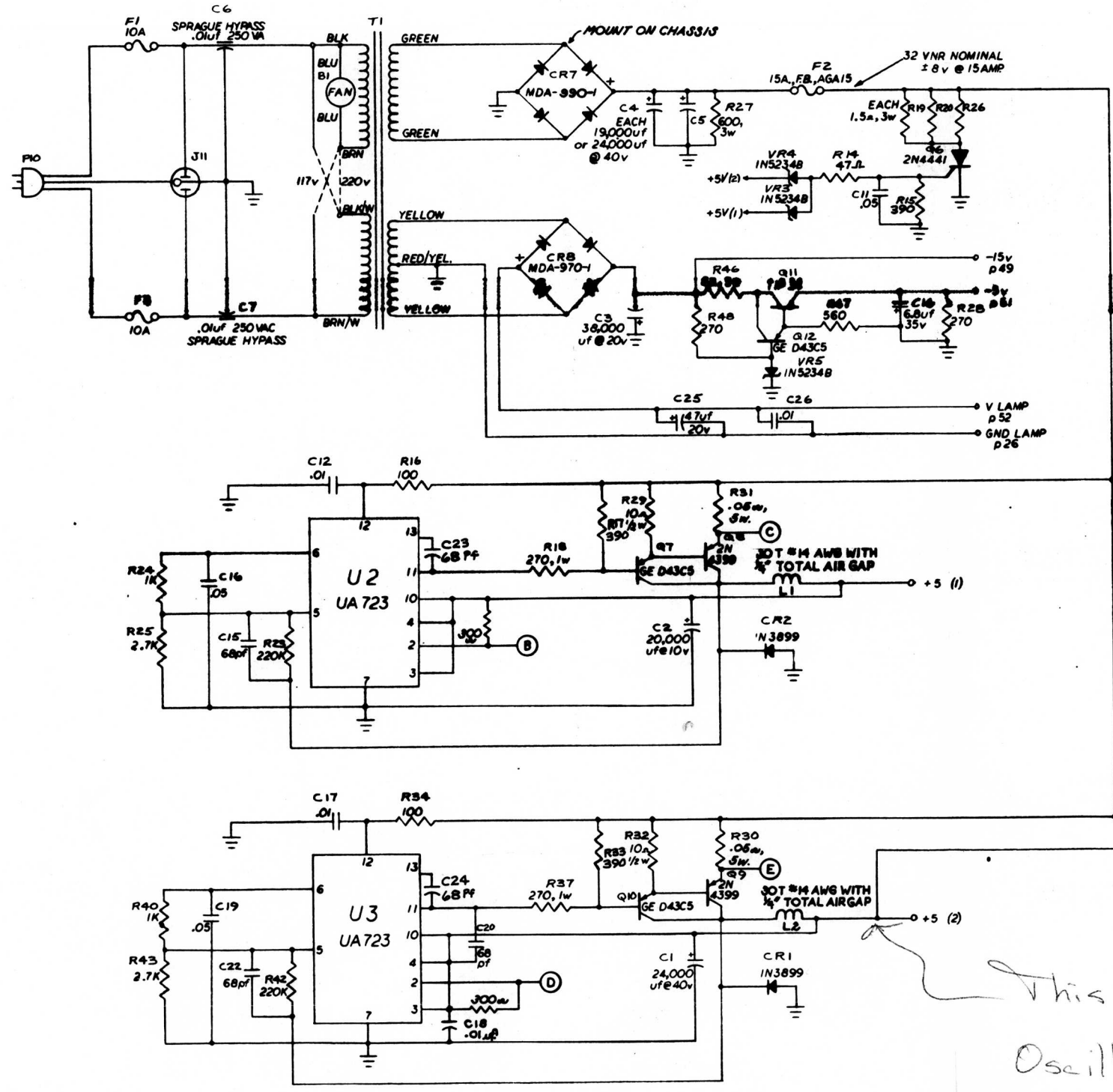
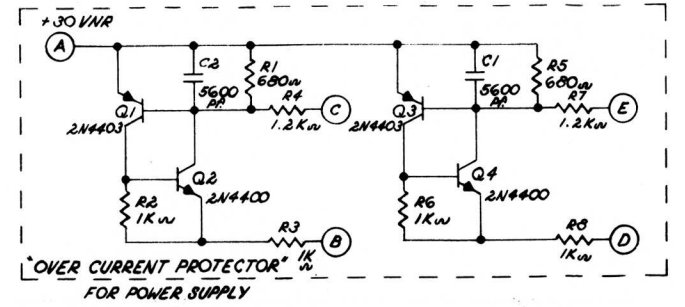


THIS DRAWING AND SPECIFICATIONS, HEREIN, ARE THE PROPERTY OF DATA GENERAL CORPORATION AND SHALL NOT BE REPRODUCED OR COPIED OR USED IN WHOLE OR IN PART AS THE BASIS FOR MANUFACTURE OR SALE OF ITEMS WITHOUT WRITTEN PERMISSION.

REVISIONS				
REV.	DESCRIPTION	DRFTG.	APP. BY	DATE
01	REVISED & REDRAWN			11-20-71
02	ECO# 801			3/72
03	ECO# 897			3/72
04	ECO# 1034			3/72
05	ECO# 1053			3/72
06	ECO# 1077			3/72
07	ECO# 1235	R.W.C.		12-8
08	ECO# 1535	R.W.C.		2-77
09	ECO# 1717	R.W.C.		7-11 72



This is
Oscillates
when no Load
You can hear it

QTY.	DESCRIPTION	PART NO.
	UNLESS OTHERWISE SPECIFIED—DIMENSIONS ARE IN INCHES TOLERANCES ON FRACTIONS DECIMALS ANGLES	
	XX ± = PARTS TO BE FREE FROM BURRS BREAK ALL EDGES 010	
	UNLESS OTHERWISE SPECIFIED—ALL MACH. SURFACES	
	MATERIAL	
	FINISH	
DRAWN	D.F. CRAFT 11-16-71	
CHECKED	L. G. GUNER 11/17/71	
ENGINEER	R. GRUNER 11-16-71	
APPROVED		
FIRST USED ON	2048	
	107-000079	
SCALE		
SIZE	CODE	DRAWING NUMBER
D	001	000148
REV.		09

DATA GENERAL CORPORATION
SOUTHBORO, MASSACHUSETTS 01772
TITLE
800/1200 DUAL +5
POWER SUPPLY