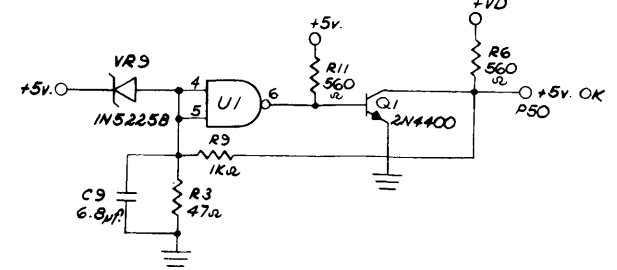
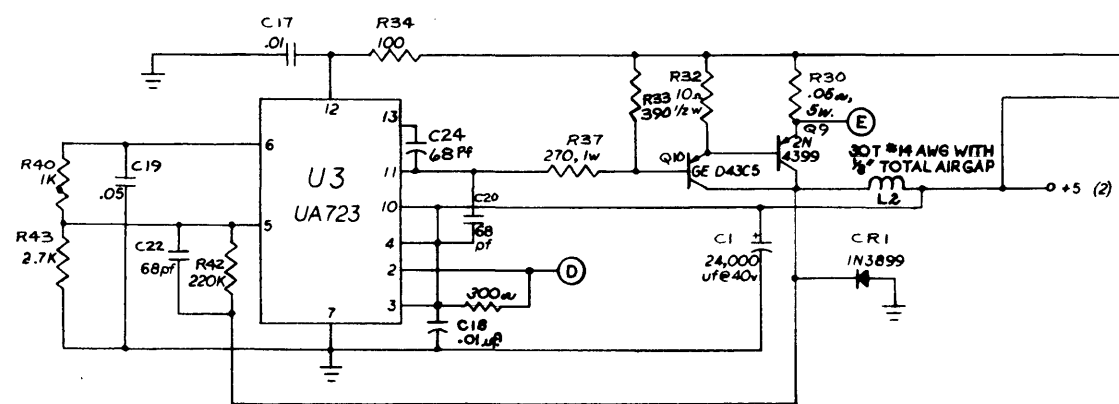
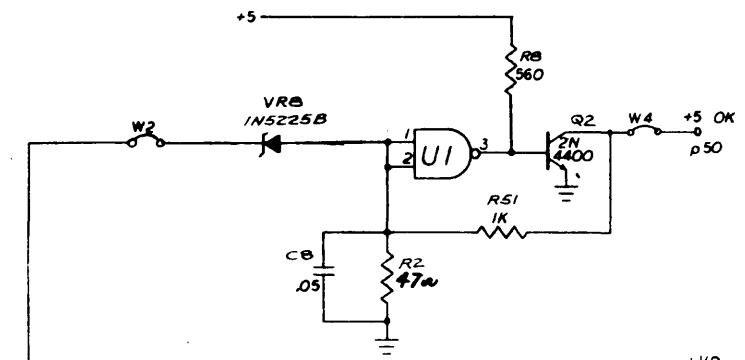
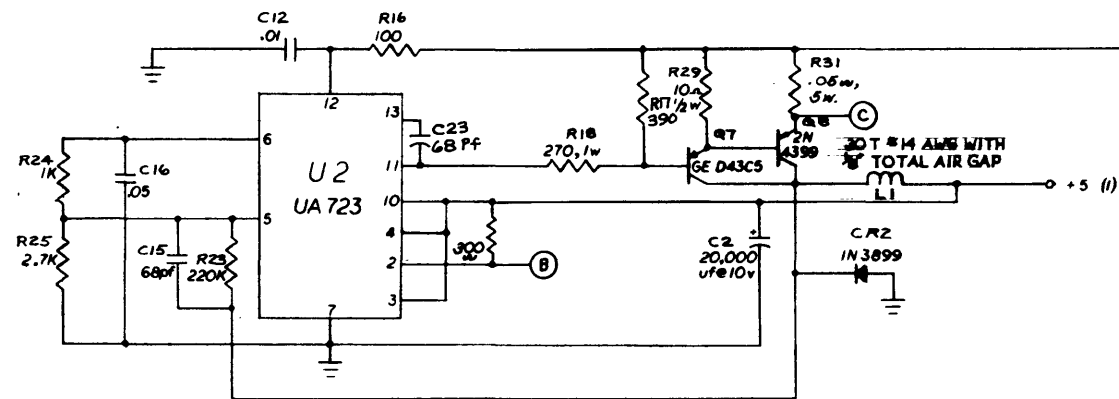
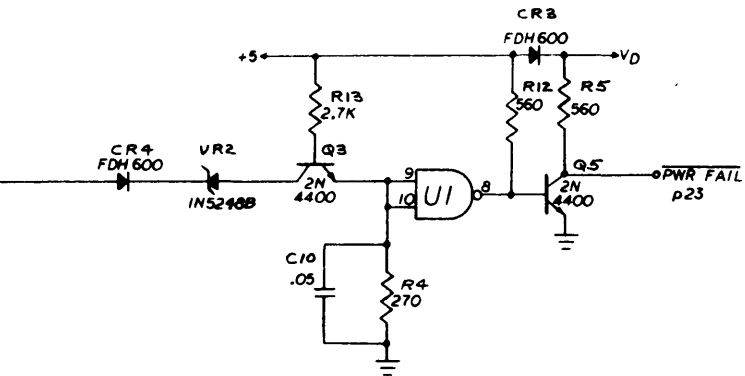
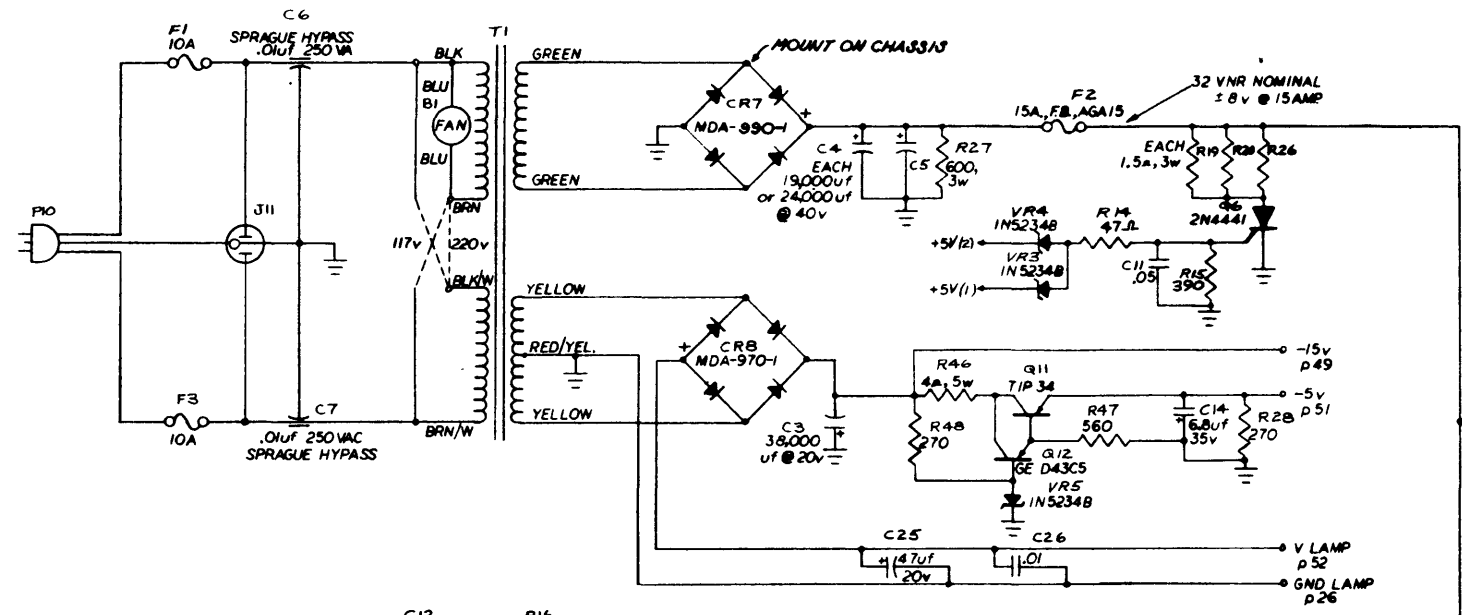
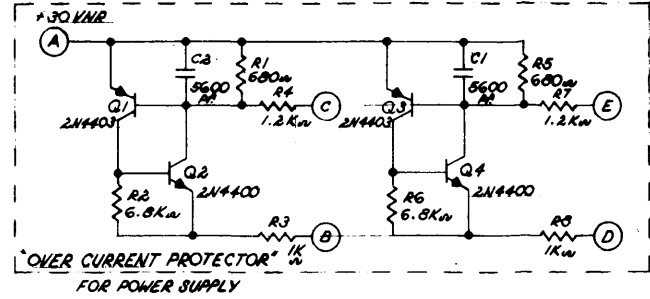


THIS DRAWING AND SPECIFICATIONS, HEREIN, ARE THE PROPERTY OF DATA GENERAL CORPORATION AND SHALL NOT BE REPRODUCED OR COPIED OR USED IN WHOLE OR IN PART AS THE BASIS FOR MANUFACTURE OR SALE OF ITEMS WITHOUT WRITTEN PERMISSION.

REVISIONS				
REV.	DESCRIPTION	DRFTG.	APP. BY	DATE
01	REVISED & REDRAWN	D.F.C.		11-20-71
02	ECO# 801	R.W.C.		3/72
03	ECO# 897	R.W.C.		3/72
04	ECO# 1034	R.W.C.		3/72
05	ECO# 1033	R.W.C.		3/72
06	ECO# 1077	R.W.C.		3/72
07	ECO# 1835	R.W.C.		12-3-72
08	ECO# 1535	R.W.C.		5-74



QTY.	DESCRIPTION	PART NO.
	UNLESS OTHERWISE SPECIFIED—DIMENSIONS ARE IN INCHES—TOLERANCES ON FRACTIONS DECIMALS ANGLES	
	± PARTS TO BE FREE FROM BURRS BREAK ALL EDGES 010	
	UNLESS OTHERWISE SPECIFIED—ALL MACH. SURFACES	
	MATERIAL	
	FINISH	
	DRAWN D.F. CRAFT 11/16-71	
	CHECKED L. GUNNER 11/17	
	ENGINEER R. GRUNER 1/16-71	
	APPROVED	
	FIRST USED ON 107-000079	
	SCALE	
	DATA GENERAL CORPORATION SOUTHBORO, MASSACHUSETTS 01772	
	TITLE 800/1200 DUAL +5 POWER SUPPLY	
	SIZE CODE D 001	
	DRAWING NUMBER 000148	
	REV 08	