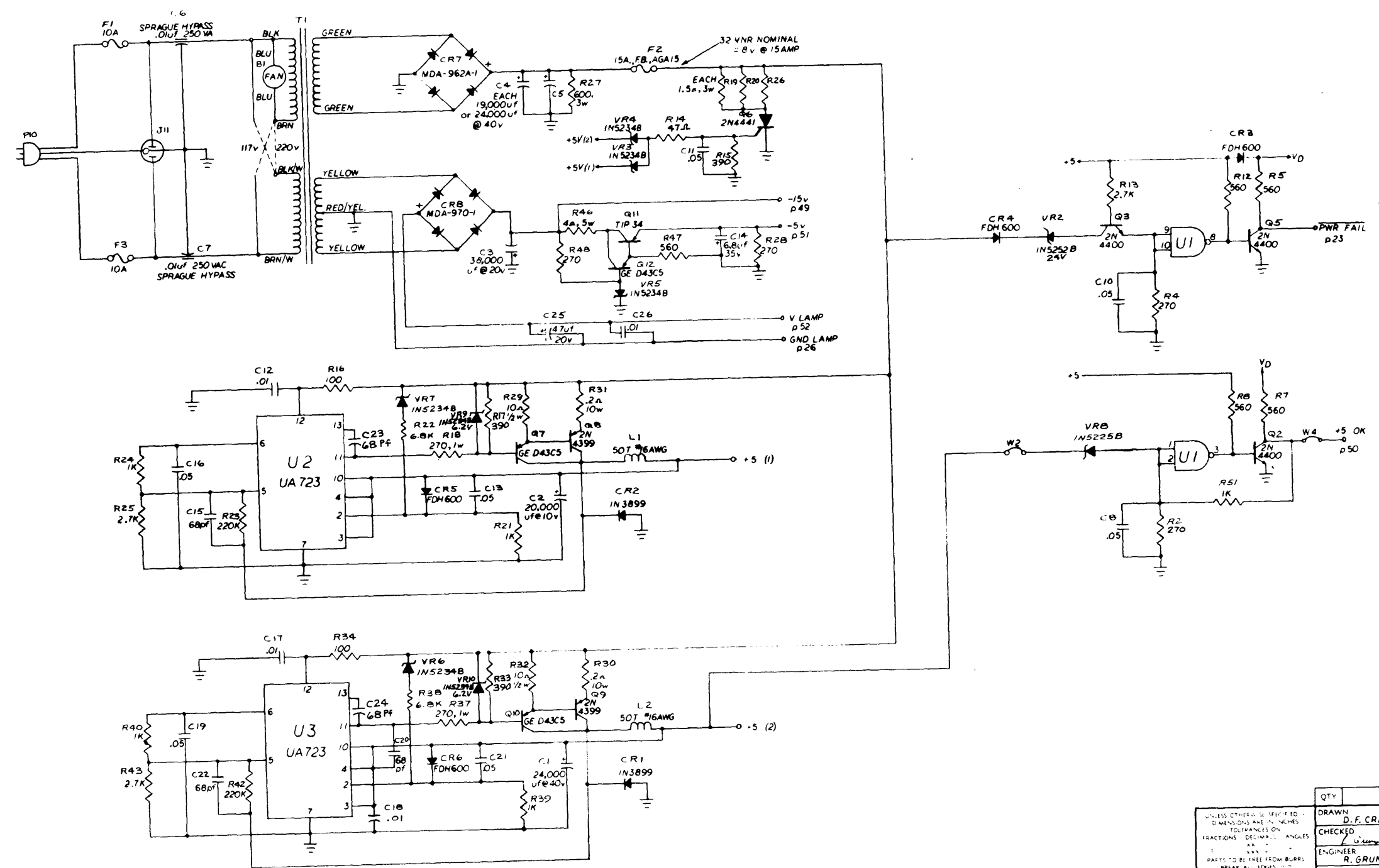


THIS DRAWING AND SPECIFICATIONS HEREIN ARE THE PROPERTY OF DATA GENERAL CORPORATION AND SHALL NOT BE REPRODUCED OR COPIED OR USED IN WHOLE OR IN PART AS THE BASIS FOR MANUFACTURE OR SALE OF ITEMS WITHOUT WRITTEN PERMISSION.

REVISIONS				
REV	DESCRIPTION	DRFTG	APP BY	DATE
01	REVISED & REDRAWN			11/16/71
02	ECO# 801			3/72
03	ECO# 897			3/72
04	ECO# 1034			3/72
05	ECO# 1053			3/72
06	ECO# 1077			3/72



QTY	DESCRIPTION	PART NO
	DATA GENERAL CORPORATION	
	SOUTH BORO MASSACHUSETTS 01772	
	TITLE	
	800/1200 DUAL+5	
	POWER SUPPLY	
	FIRST USED ON	
	107-000079	
	DRAWING NUMBER	
	000148	
	REV	
	06	