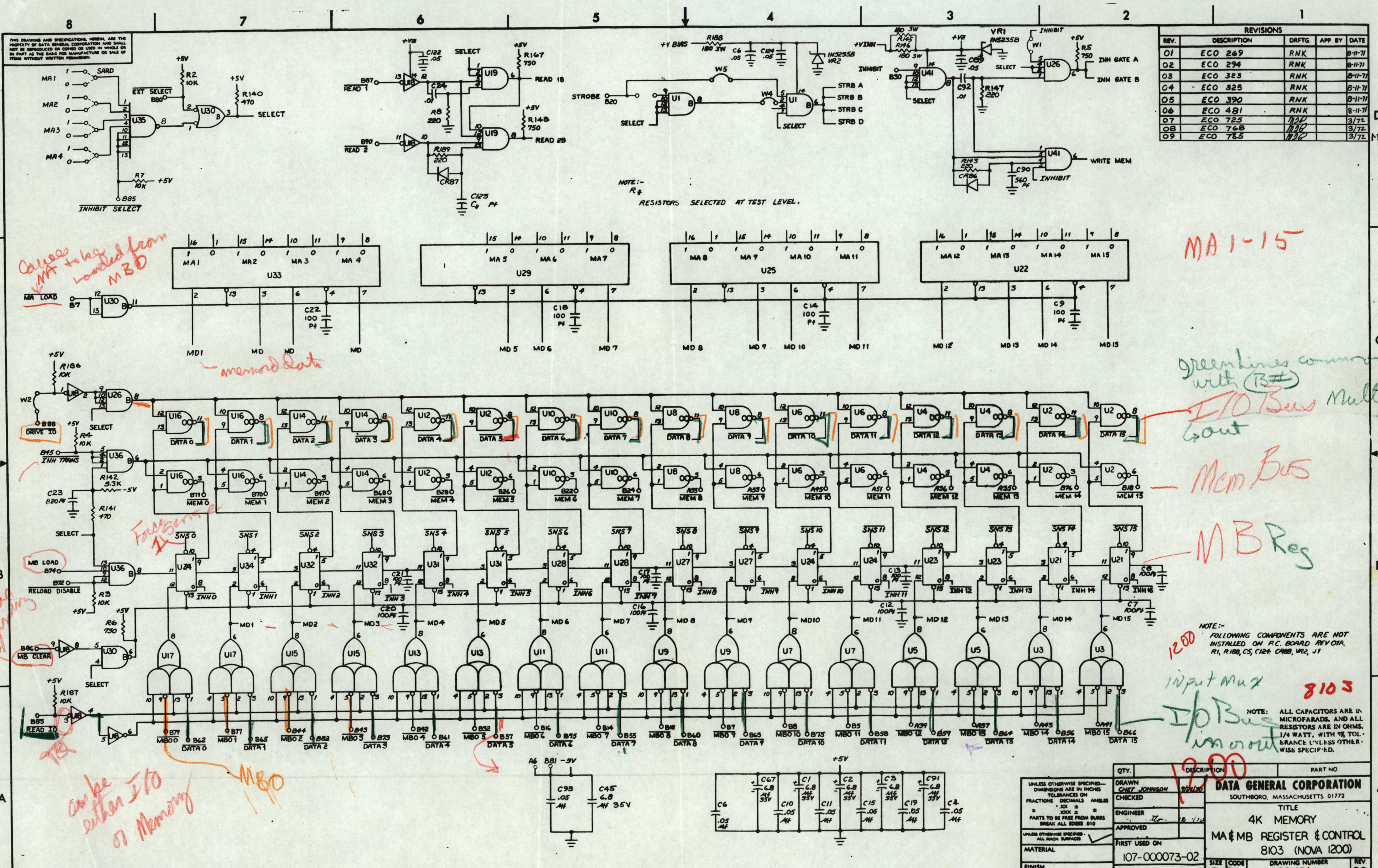


THIS DRAWING AND SPECIFICATIONS HEREIN ARE THE PROPERTY OF DATA GENERAL CORPORATION AND SHALL NOT BE REPRODUCED OR COPIED OR USED IN WHOLE OR IN PART AS THE BASIS FOR MANUFACTURE OR SALE OF ITEMS WITHOUT WRITTEN PERMISSION.

REVISIONS				
REV.	DESCRIPTION	DRFTG.	APP. BY	DATE
01	ECO 269	RNK		8-11-71
02	ECO 294	RNK		8-11-71
03	ECO 323	RNK		8-11-71
04	ECO 325	RNK		8-11-71
05	ECO 390	RNK		8-11-71
06	ECO 481	RNK		8-11-71
07	ECO 725	<del>RNK</del>		3/72
08	ECO 768	<del>RNK</del>		3/72
09	ECO 785	<del>RNK</del>		3/72



*Colours MA to be loaded from MBO*

*MA LOAD*

*MD1 MD MD MD MD*

*mem bus data*

*MA 1-15*

*green lines common with (B#)*

*I/O Bus Multiplex*

*Mem Bus*

*MB Reg*

*MBO*

*can be either I/O or Memory*

*MBO*

*1200*

*input mux*

*I/O Bus in/out*

*8103*

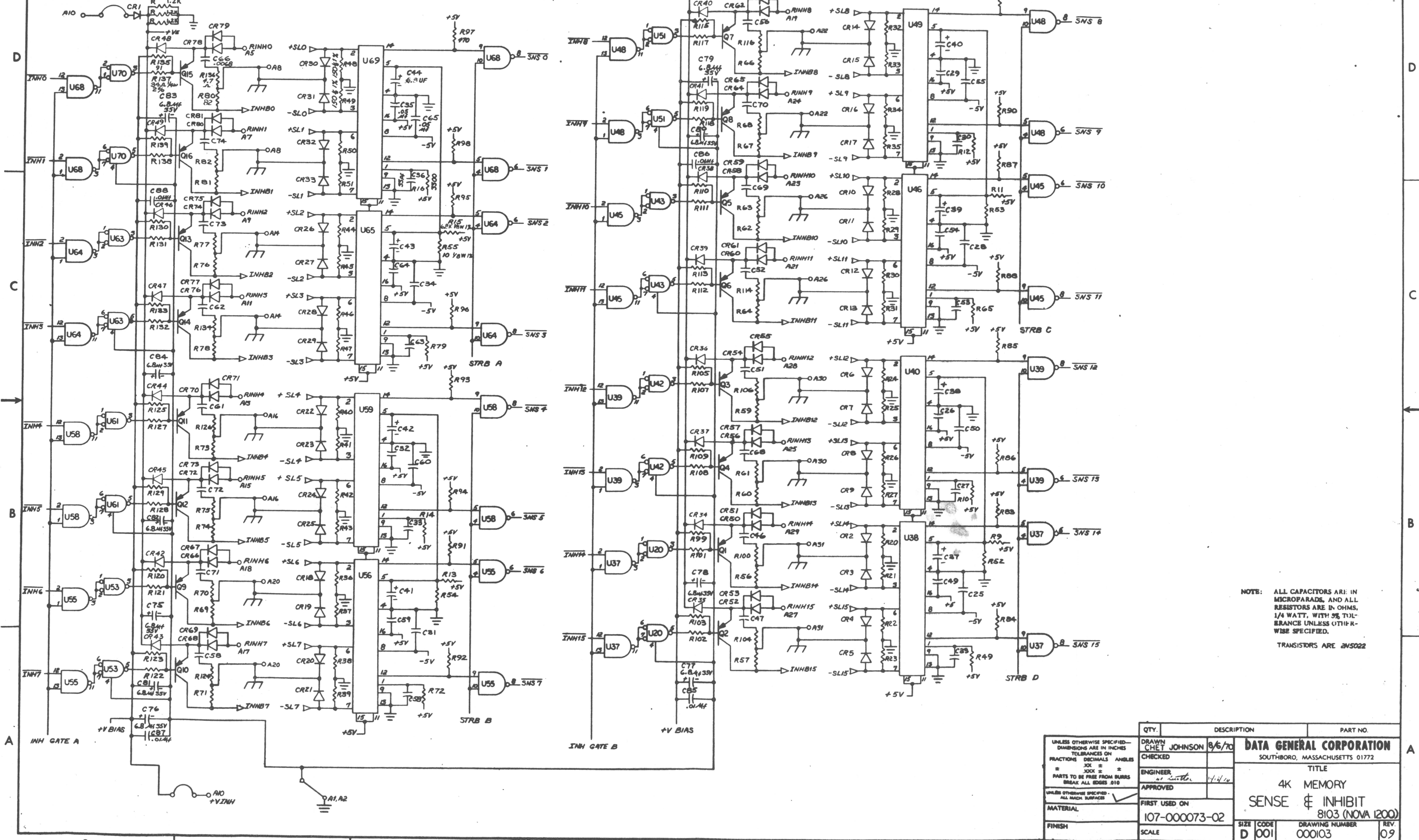
NOTE: ALL CAPACITORS ARE IN MICROFARADS, AND ALL RESISTORS ARE IN OHMS, 1/4 WATT, WITH % TOLERANCE UNLESS OTHERWISE SPECIFIED.

QTY.	DESCRIPTION	PART NO.
	DATA GENERAL CORPORATION	
	SOUTHBORO, MASSACHUSETTS 01772	
	TITLE	
	4K MEMORY	
	MA & MB REGISTER & CONTROL	
	8103 (NOVA 1200)	
	SIZE CODE	D 001
	DRAWING NUMBER	000103
	REV	09



THIS DRAWING AND SPECIFICATIONS HEREIN, ARE THE PROPERTY OF DATA GENERAL CORPORATION AND SHALL NOT BE REPRODUCED OR COPIED OR USED IN WHOLE OR IN PART AS THE BASIS FOR MANUFACTURE OR SALE OF ITEMS WITHOUT WRITTEN PERMISSION.

REVISIONS			
REV.	DESCRIPTION	DRFTG.	APP. BY DATE

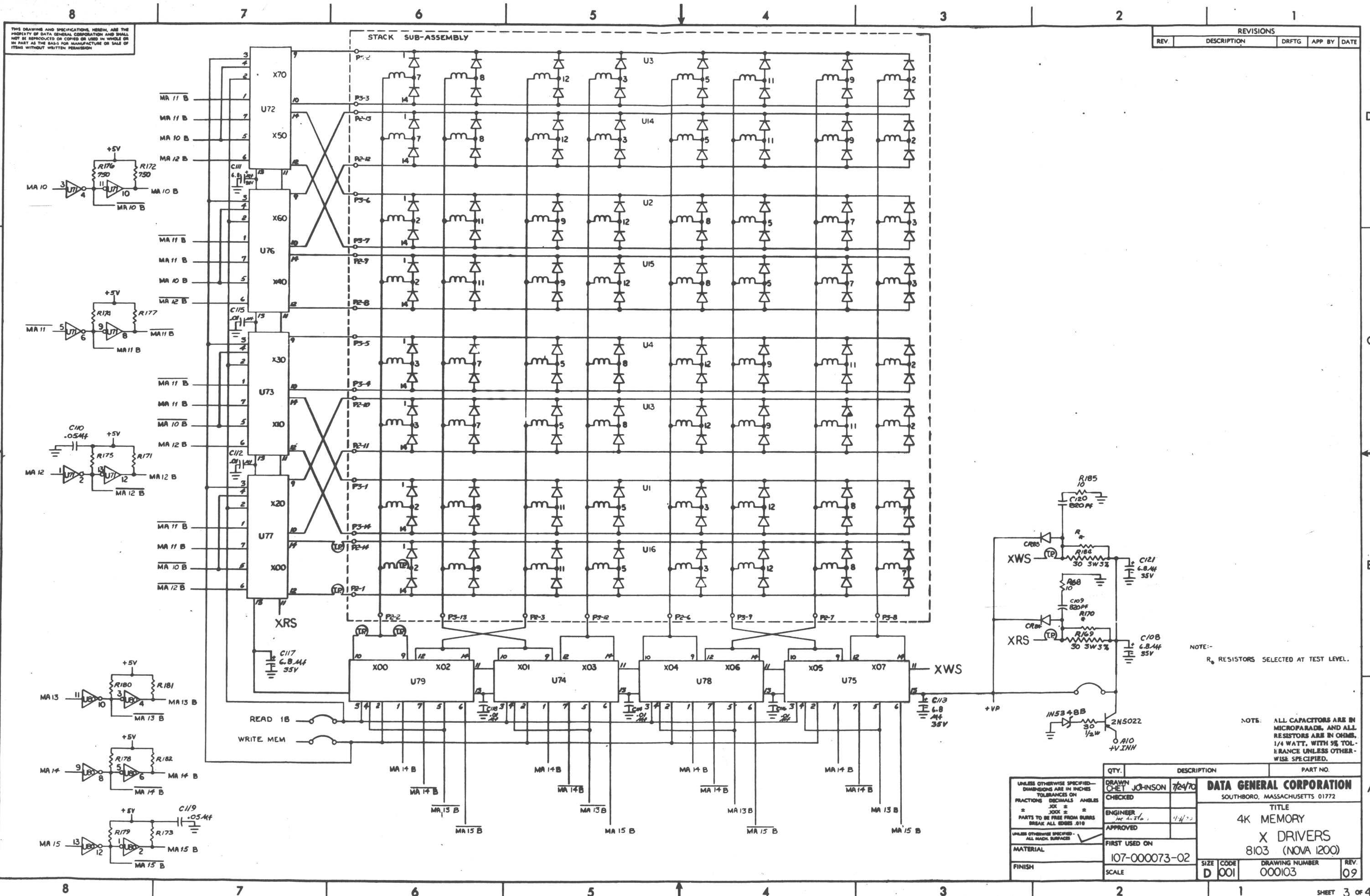


NOTE: ALL CAPACITORS ARE IN MICROFARADS, AND ALL RESISTORS ARE IN OHMS, 1/4 WATT, WITH 5% TOLERANCE UNLESS OTHERWISE SPECIFIED. TRANSISTORS ARE 2N5022

QTY.	DESCRIPTION	PART NO.

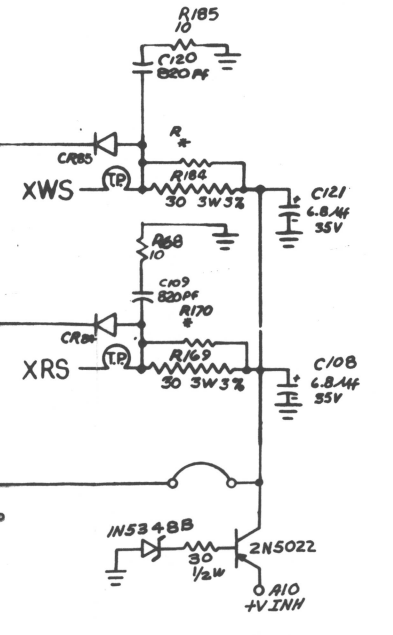
  

UNLESS OTHERWISE SPECIFIED— DIMENSIONS ARE IN INCHES TOLERANCES ON FRACTIONS DECIMALS ANGLES X.XX ± X.XX ± PARTS TO BE FREE FROM BURRS BREAK ALL EDGES .010	DRAWN CHET JOHNSON 8/6/70 CHECKED  ENGINEER  APPROVED  FIRST USED ON 107-000073-02 MATERIAL  FINISH 	<b>DATA GENERAL CORPORATION</b> SOUTHBORO, MASSACHUSETTS 01772 TITLE <b>4K MEMORY SENSE &amp; INHIBIT</b> 8103 (NOVA 1200) SIZE CODE D 001 DRAWING NUMBER 000103 REV. 09
--	--	--



THIS DRAWING AND SPECIFICATIONS HEREIN, ARE THE PROPERTY OF DATA GENERAL CORPORATION AND SHALL NOT BE REPRODUCED OR COPIED OR USED IN WHOLE OR IN PART AS THE BASIS FOR MANUFACTURE OR SALE OF ITEMS WITHOUT WRITTEN PERMISSION

REVISIONS				
REV.	DESCRIPTION	DRFTG.	APP BY	DATE



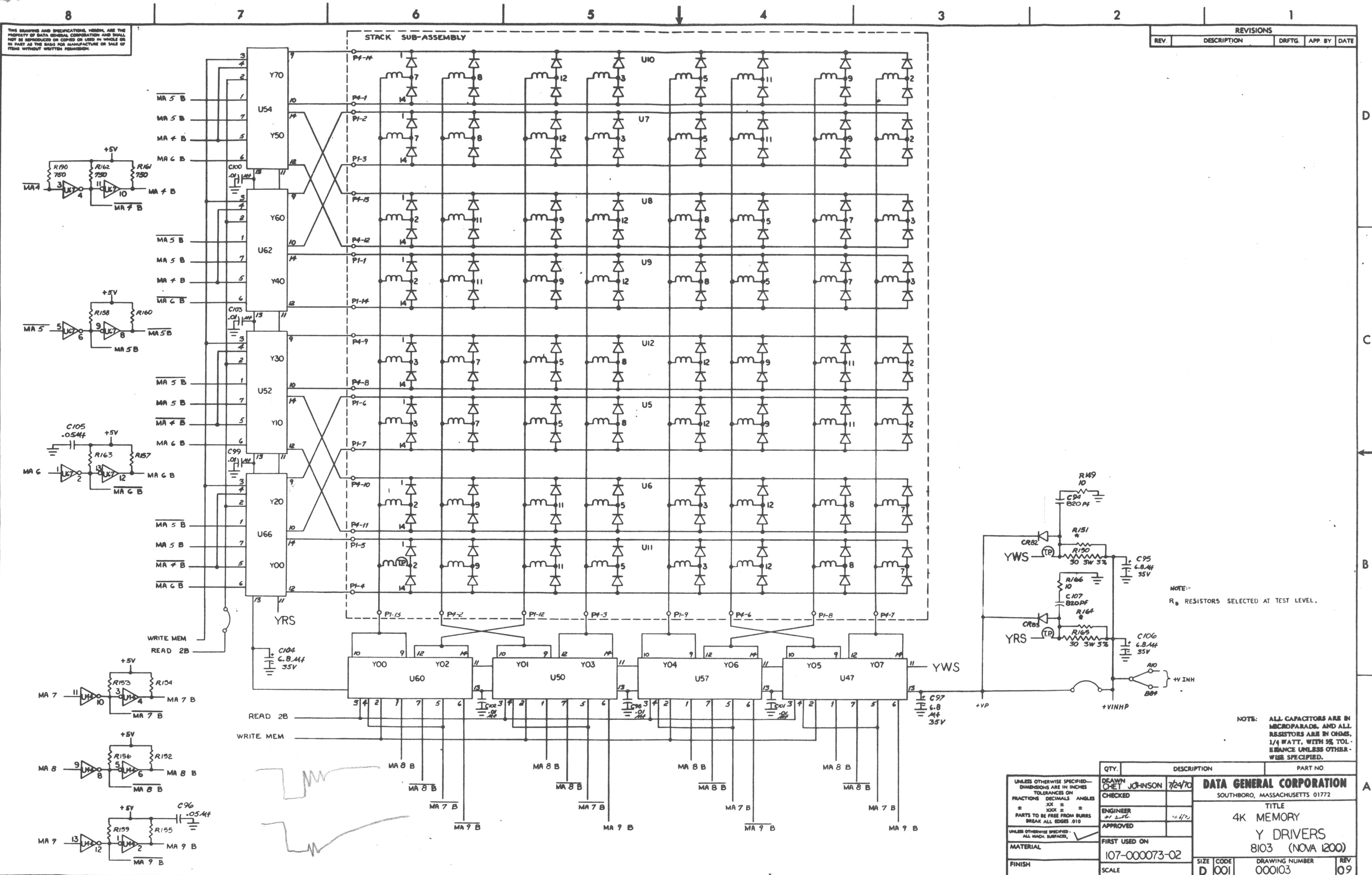
NOTE:-  
R<sub>185</sub> RESISTORS SELECTED AT TEST LEVEL.

NOTE: ALL CAPACITORS ARE IN MICROFARADS, AND ALL RESISTORS ARE IN OHMS, 1/4 WATT, WITH 5% TOLERANCE UNLESS OTHERWISE SPECIFIED.

QTY.	DESCRIPTION	PART NO.

UNLESS OTHERWISE SPECIFIED - DIMENSIONS ARE IN INCHES FRACTIONS DECIMALS ANGLES TOLERANCES ON ± JOE ± PARTS TO BE FREE FROM BURRS BREAK ALL EDGES .010 UNLESS OTHERWISE SPECIFIED - ALL MACH SURFACES	DRAWN CHET JOHNSON 7/24/70 CHECKED ENGINEER APPROVED FIRST USED ON MATERIAL FINISH	<b>DATA GENERAL CORPORATION</b> SOUTHBORO, MASSACHUSETTS 01772 TITLE <b>4K MEMORY</b> <b>X DRIVERS</b> 8103 (NOVA 1200) SIZE CODE D 001 DRAWING NUMBER 000103 REV. 09
---	---	--



THE DRAWING AND SPECIFICATIONS HEREIN ARE THE PROPERTY OF DATA GENERAL CORPORATION AND SHALL NOT BE REPRODUCED OR COPIED IN WHOLE OR IN PART AS THE BASIS FOR MANUFACTURE OR SALE OF ITEMS WITHOUT WRITTEN PERMISSION.

REVISIONS				
REV.	DESCRIPTION	DRFTG.	APP. BY	DATE

NOTE:-  
R<sub>3</sub> RESISTORS SELECTED AT TEST LEVEL.

NOTE: ALL CAPACITORS ARE IN MICROFARADS, AND ALL RESISTORS ARE IN OHMS, 1/4 WATT, WITH 5% TOLERANCE UNLESS OTHERWISE SPECIFIED.

UNLESS OTHERWISE SPECIFIED— DIMENSIONS ARE IN INCHES TOLERANCES ON FRACTIONS DECIMALS ANGLES XXX ± .001 ± .001 ± .001 PARTS TO BE FREE FROM BURRS BREAK ALL EDGES .010	QTY.	DESCRIPTION	PART NO.
	CHECKED		
	ENGINEER		
	APPROVED		
UNLESS OTHERWISE SPECIFIED— ALL MACH. SURFACES,	FIRST USED ON		
MATERIAL	107-000073-02	SIZE	CODE
FINISH	SCALE	D	001
DRAWN CHET JOHNSON 7/24/70		DATA GENERAL CORPORATION SOUTHBORO, MASSACHUSETTS 01772	
		TITLE 4K MEMORY Y DRIVERS 8103 (NOVA 1200)	
		DRAWING NUMBER	REV
		000103	09