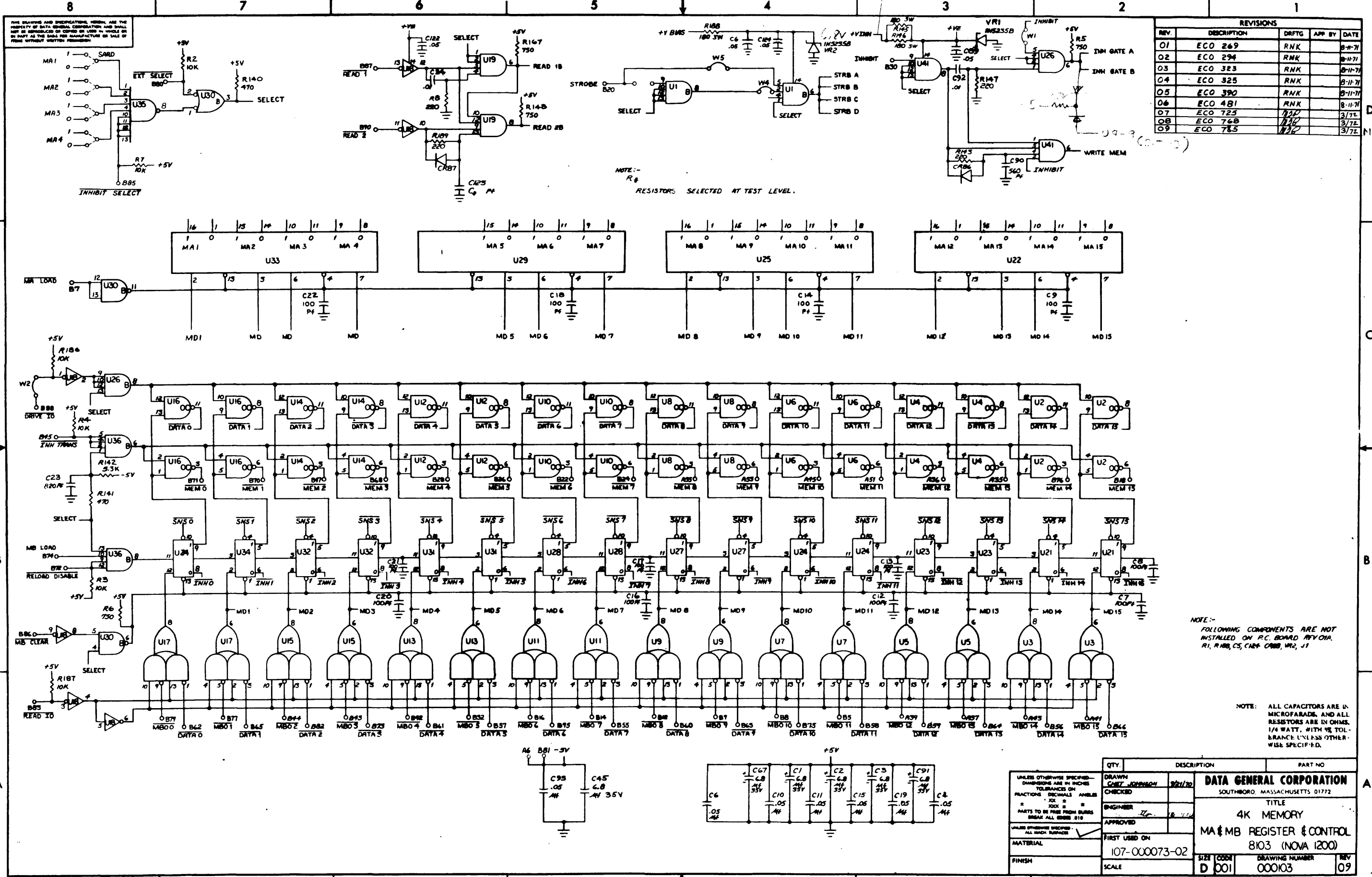


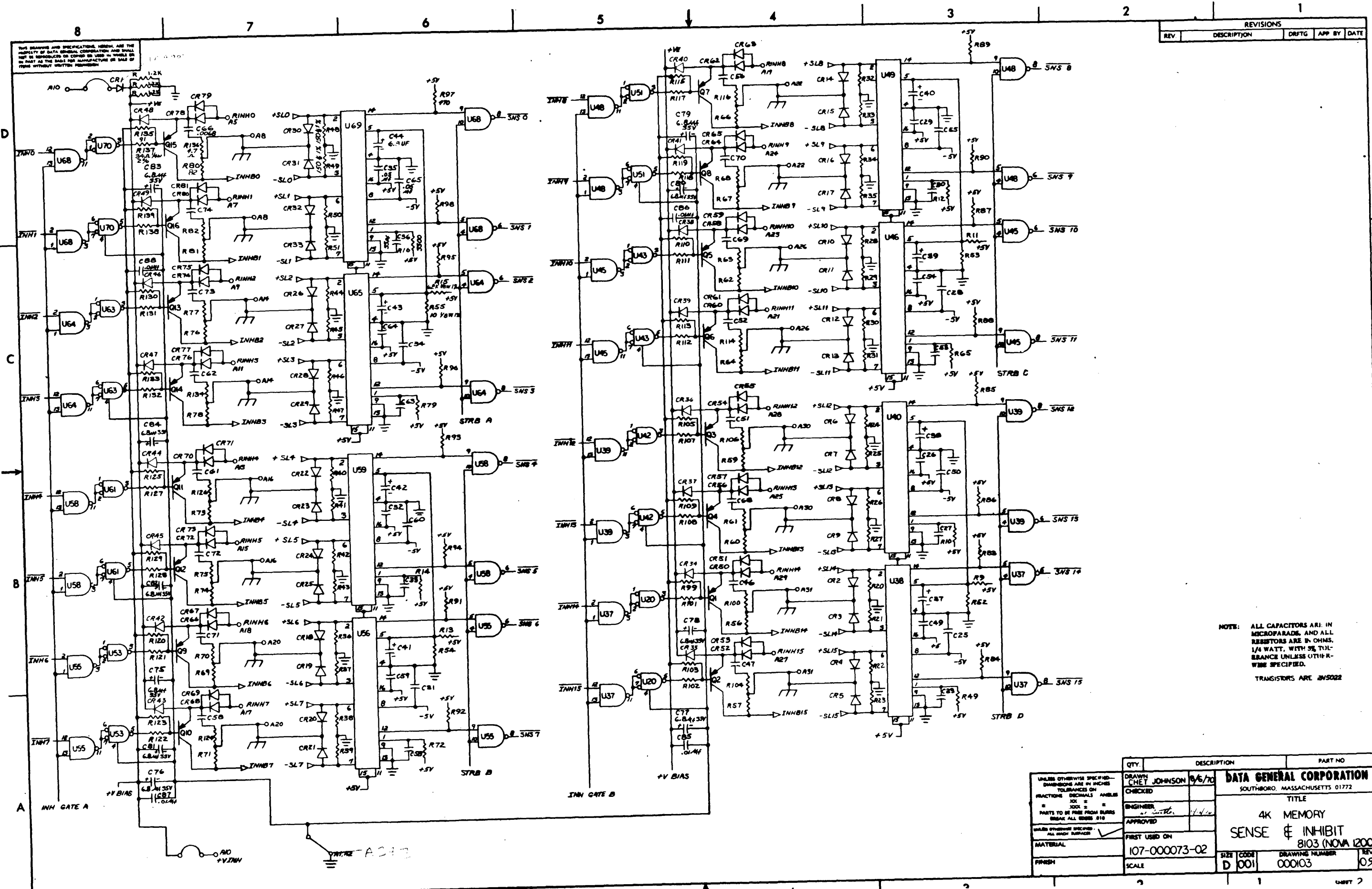
RA (1000)  
 MD (1000)  
 DS (1000)



REVISIONS				
REV.	DESCRIPTION	DRFTG	APP BY	DATE
01	ECO 269	RNK		8-9-71
02	ECO 294	RNK		8-11-71
03	ECO 323	RNK		8-11-71
04	ECO 325	RNK		8-11-71
05	ECO 390	RNK		8-11-71
06	ECO 481	RNK		8-11-71
07	ECO 725	RNK		3/72
08	ECO 748	RNK		3/72
09	ECO 785	RNK		3/72

NOTE: FOLLOWING COMPONENTS ARE NOT INSTALLED ON P.C. BOARD REV 01A.  
 R1, R18, C5, C18, C19, W2, J1

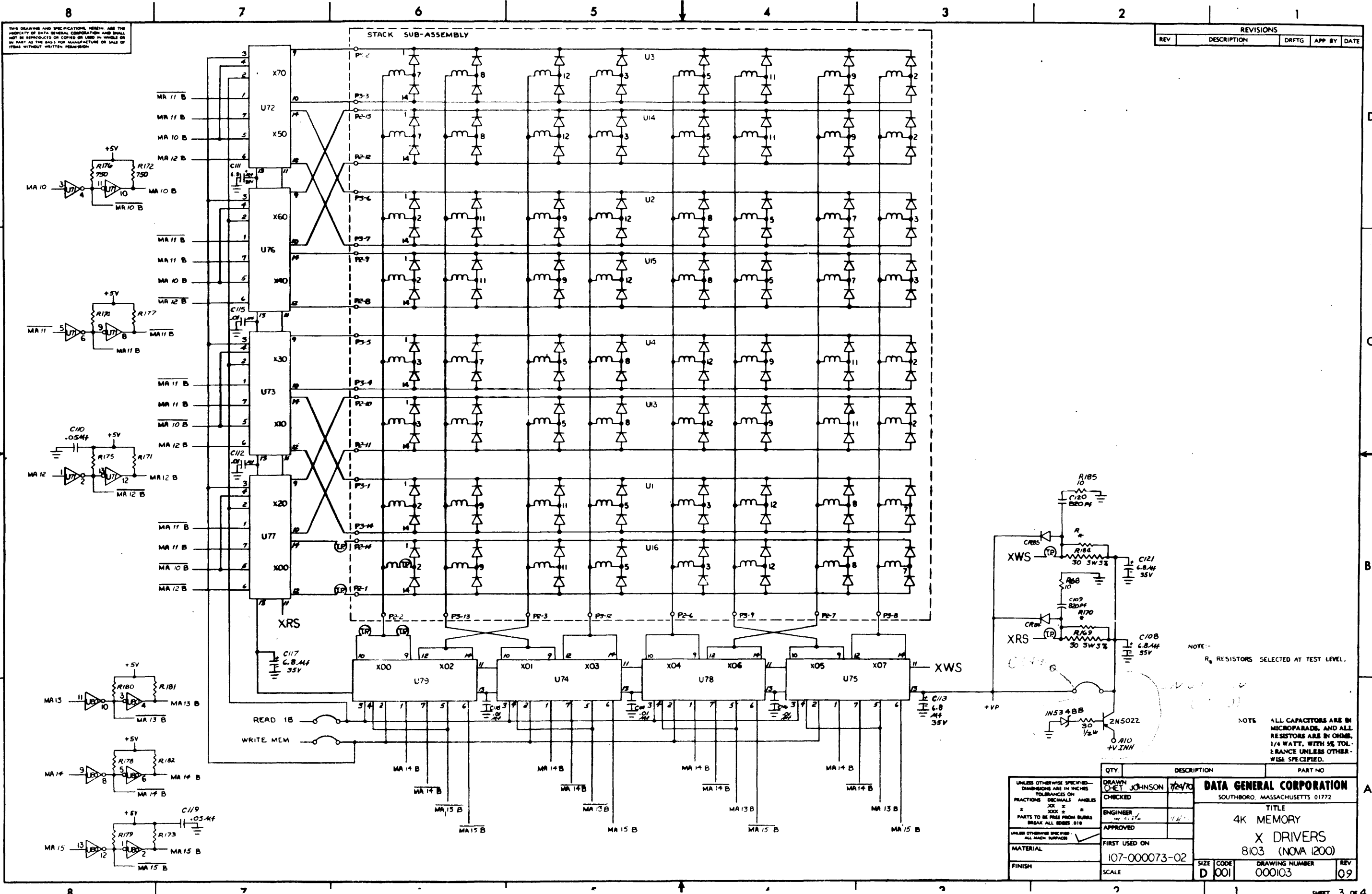
QTY.	DESCRIPTION	PART NO
	<b>DATA GENERAL CORPORATION</b>	
	SOUTHBORO, MASSACHUSETTS 01772	
	TITLE	
	4K MEMORY	
	MA & MB REGISTER & CONTROL	
	8103 (NOVA 1200)	
	DRAWN	DATE
	CHEK JOHNSON	8/21/70
	CHECKED	
	ENGINEER	
	APPROVED	
	FIRST USED ON	
	107-000073-02	
	MATERIAL	
	FINISH	
	SCALE	
	SIZE	CODE
	D	001
	DRAWING NUMBER	REV
	000103	09



REVISIONS				
REV	DESCRIPTION	DRFTG	APP BY	DATE

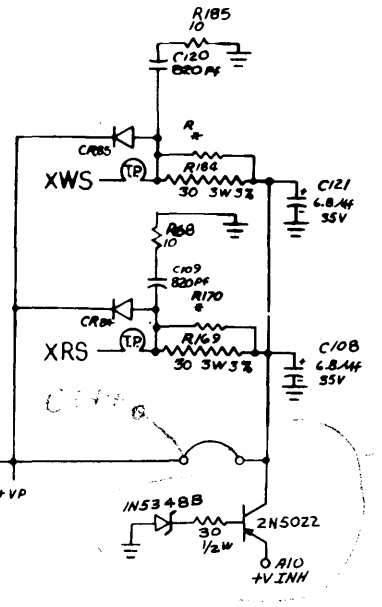
NOTE: ALL CAPACITORS ARE IN MICROFARADS, AND ALL RESISTORS ARE IN OHMS, 1/4 WATT, WITH 5% TOLERANCE UNLESS OTHERWISE SPECIFIED.  
TRANSISTORS ARE 2N5022

QTY.	DESCRIPTION	PART NO.
UNLESS OTHERWISE SPECIFIED - DIMENSIONS ARE IN INCHES	DRAWN: CHET JOHNSON 8/6/70	
FRACTIONS ON DECIMALS ON ANGLES	CHECKED: [Signature]	
3X = 3X	ENGINEER: [Signature]	
PARTS TO BE FREE FROM BURRS BRASK ALL SURFACES	APPROVED: [Signature]	
UNLESS OTHERWISE SPECIFIED - ALL DIMENSIONS	FIRST USED ON: 107-000073-02	
MATERIAL:	SCALE: D 001	DRAWING NUMBER: 000103
FINISH:	REV: 09	



THIS DRAWING AND SPECIFICATIONS HEREIN ARE THE PROPERTY OF DATA GENERAL CORPORATION AND SHALL NOT BE REPRODUCED OR COPIED OR USED IN WHOLE OR IN PART AS THE BASIS FOR MANUFACTURE OR SALE OF ITEMS WITHOUT WRITTEN PERMISSION.

REVISIONS				
REV	DESCRIPTION	DRFTG	APP BY	DATE



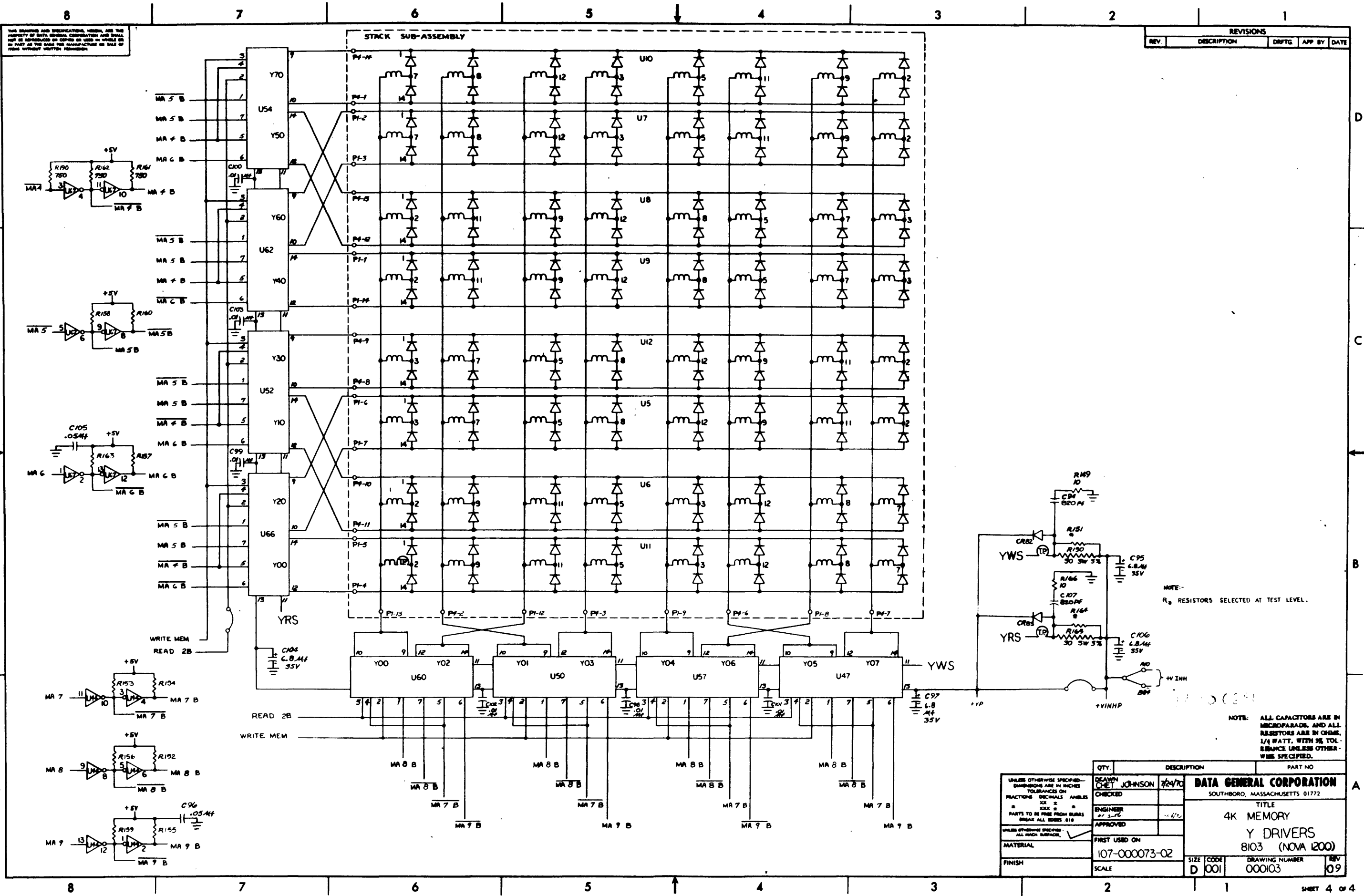
NOTE: R<sub>0</sub> RESISTORS SELECTED AT TEST LEVEL.

NOTE: ALL CAPACITORS ARE IN MICROFARADS, AND ALL RESISTORS ARE IN OHMS, 1/4 WATT, WITH 5% TOLERANCE UNLESS OTHERWISE SPECIFIED.

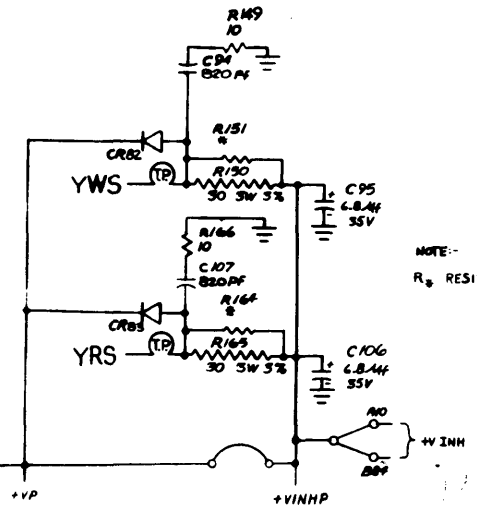
QTY	DESCRIPTION	PART NO

UNLESS OTHERWISE SPECIFIED—DIMENSIONS ARE IN INCHES TOLERANCES ON FRACTIONS DECIMALS ANGLES X.XX ± .005 X.X ± .01 PARTS TO BE FREE FROM BURRS BREAK ALL EDGES 90°	DRAWN CHET JOHNSON 7/24/70	CHECKED		<b>DATA GENERAL CORPORATION</b> SOUTHBORO, MASSACHUSETTS 01772 TITLE <b>4K MEMORY          X DRIVERS          8103 (NOVA 1200)</b>
UNLESS OTHERWISE SPECIFIED—ALL HATCH SURFACES	ENGINEER	APPROVED		
MATERIAL	FIRST USED ON			
FINISH	107-000073-02			
	SCALE			SIZE CODE D 001 DRAWING NUMBER 000103 REV 09



REVISIONS				
REV	DESCRIPTION	DRFTG	APP BY	DATE



NOTE: R<sub>s</sub> RESISTORS SELECTED AT TEST LEVEL.

NOTE: ALL CAPACITORS ARE IN MICROFARADS, AND ALL RESISTORS ARE IN OHMS, 1/4 WATT, WITH 5% TOLERANCE UNLESS OTHERWISE SPECIFIED.

QTY	DESCRIPTION	PART NO

UNLESS OTHERWISE SPECIFIED— DIMENSIONS ARE IN INCHES FRACTIONS DECIMALS ANGLES XX ± .XX PARTS TO BE FROM BUREAU BREAK ALL DIMS 516	DRAWN OJET JOHNSON 7/24/70 CHECKED ENGINEER APPROVED FIRST USED ON 107-000073-02 FINISH SCALE	<b>DATA GENERAL CORPORATION</b> SOUTHBORO, MASSACHUSETTS 01772 TITLE <b>4K MEMORY          Y DRIVERS          8103 (NOVA 1200)</b> DRAWING NUMBER 000103 REV 09
---	---	--