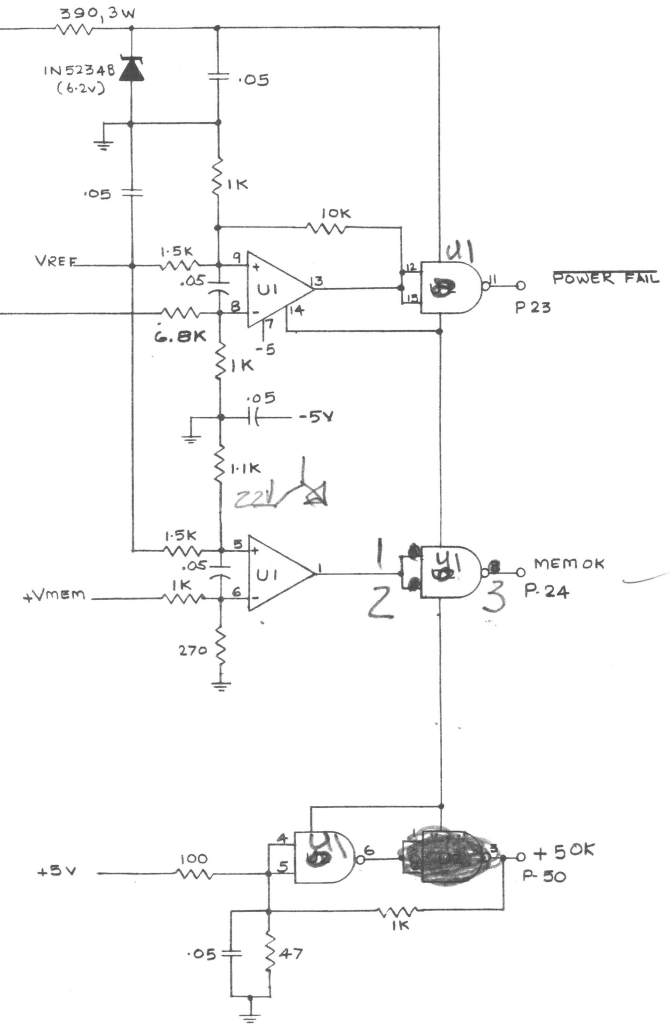
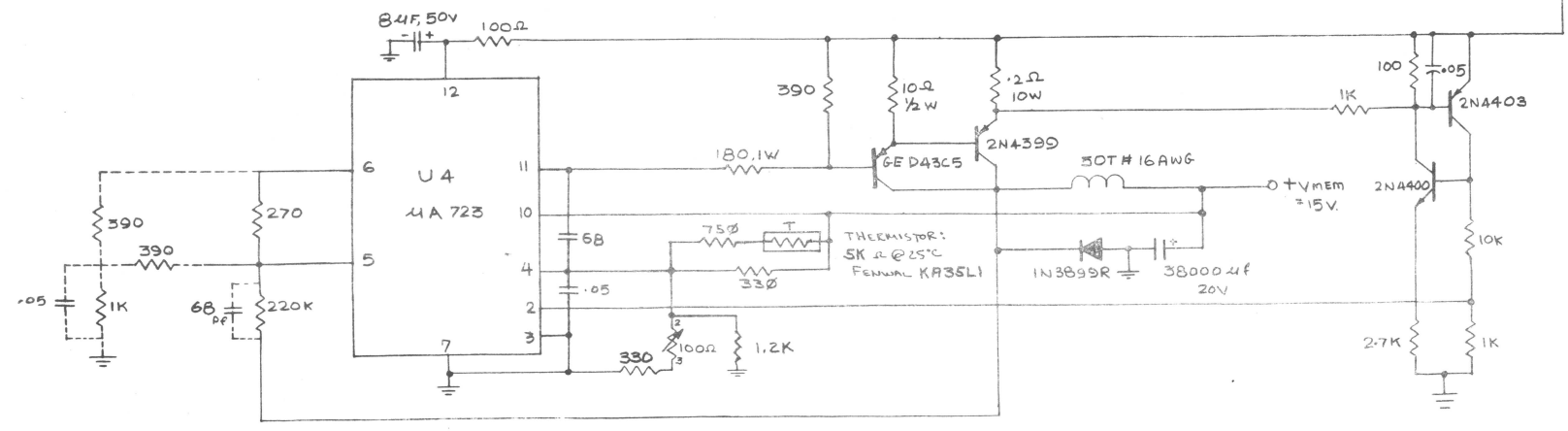
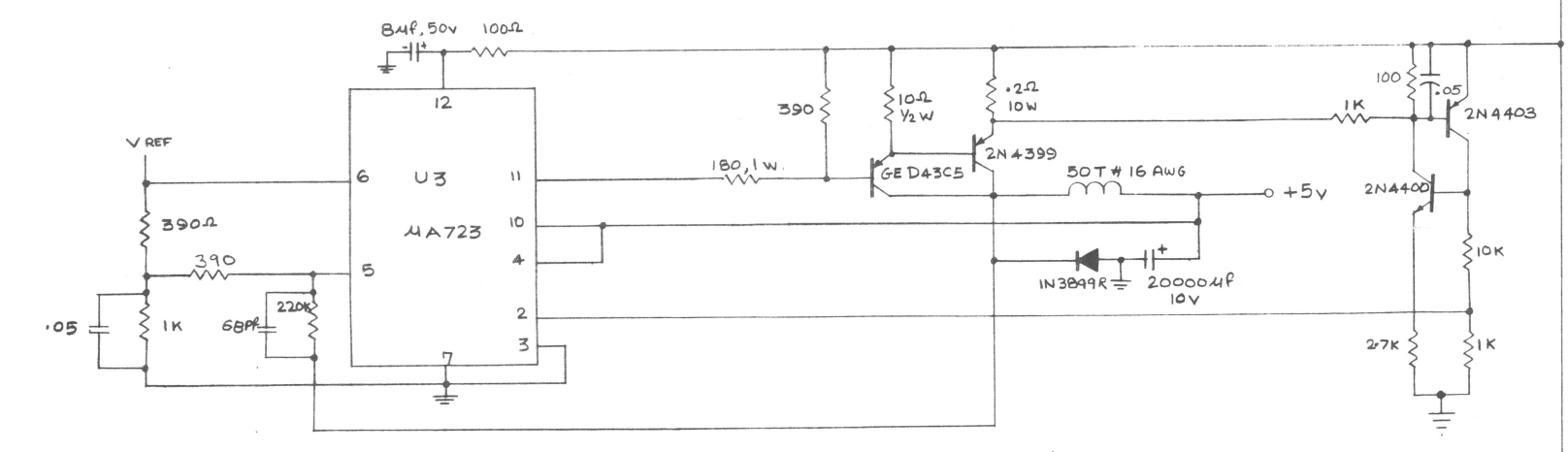
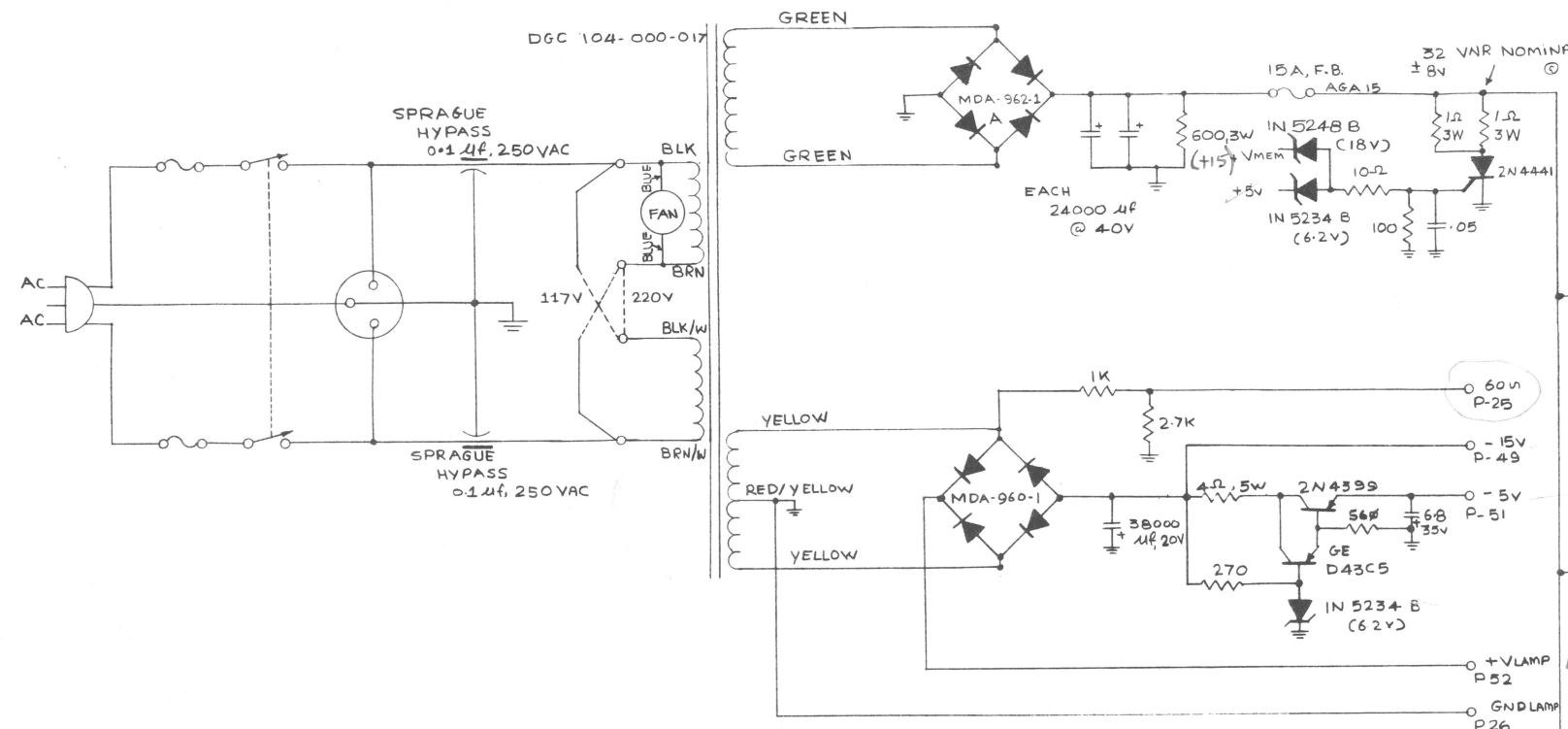


THIS DRAWING AND SPECIFICATIONS, HEREIN, ARE THE PROPERTY OF DATA GENERAL CORPORATION AND SHALL NOT BE REPRODUCED OR COPIED OR USED IN WHOLE OR IN PART AS THE BASIS FOR MANUFACTURE OR SALE OF ITEMS WITHOUT WRITTEN PERMISSION.

REVISIONS				
REV.	DESCRIPTION	DRFTG.	APP. BY	DATE
01	ECO # 111	MDP	MDP	1-20-70
02	ECO # 153 & 165	MDP	MDP	1-20-70

411 - MC 1435L
 412 - 8887
 438



QTY.	DESCRIPTION	PART NO.
	UNLESS OTHERWISE SPECIFIED—DIMENSIONS ARE IN INCHES TOLERANCES ON FRACTIONS DECIMALS ANGLES .X0K ± .X0K ± PARTS TO BE FREE FROM BURRS BREAK ALL EDGES .010	
	UNLESS OTHERWISE SPECIFIED—ALL MACH. SURFACES	
	MATERIAL	
	FINISH	
DRAWN	14/29/70	DATA GENERAL CORPORATION
CHECKED		SOUTHBORO, MASSACHUSETTS 01772
ENGINEER	14/29/70	TITLE
APPROVED		NOVA 800, 1200
FIRST USED ON		POWER SUPPLY
SCALE		SIZE CODE
		D 001
		DRAWING NUMBER
		0000 91
		REV.
		02