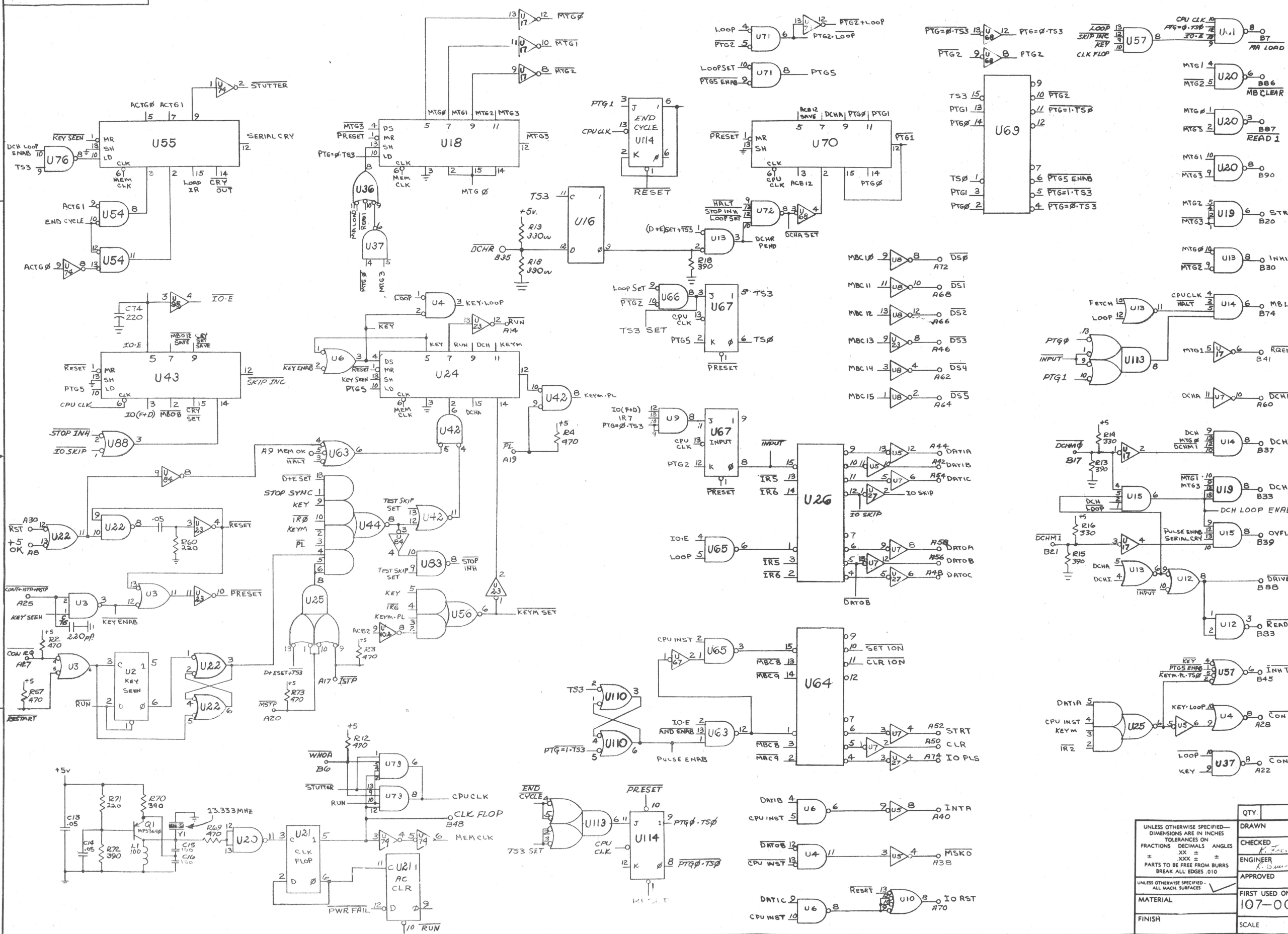


THIS DRAWING AND SPECIFICATIONS, HEREIN, ARE THE PROPERTY OF DATA GENERAL CORPORATION AND SHALL NOT BE REPRODUCED OR COPIED OR USED IN WHOLE OR IN PART AS THE BASIS FOR MANUFACTURE OR SALE OF ITEMS WITHOUT WRITTEN PERMISSION.



REVISIONS				
REV.	DESCRIPTION	DRFTG	APP BY	DATE
01	REVISED PER MKD PRINT	RHS		11/19/70
02	REV PER ECO 117 SHEET 3	RHS		11/16/70
03	REV PER ECO 138 SHEET 1	RHS		12/22/70
04	REV PER ECO 148 SHEETS 2-4	RHS		1/17/71
05	REV PER ECO #198, 209	RHS		2/19/71
06	ADD REF. DESIG. PER ECO # 306	RHS		4/15/71
07 THRU 13	ECO 266, 299, 365, 413, 447, 562 + 575	MSD		10/14/71
14	REV. PER ECO # 992	RHS		4/29/72
15	REV. PER ECO # 1060	RHS		7/6/72
16	ECO # 1328	R.W.C.		12-12-72
17	ECO # 2129	R.W.C.		12-12-72
18	ECO # 2558	R.W.C.		5-9-74
19	ECO # 2831	RAS	R# 2	7-27-74
20	ECO # 3237	RAS	R# 2	

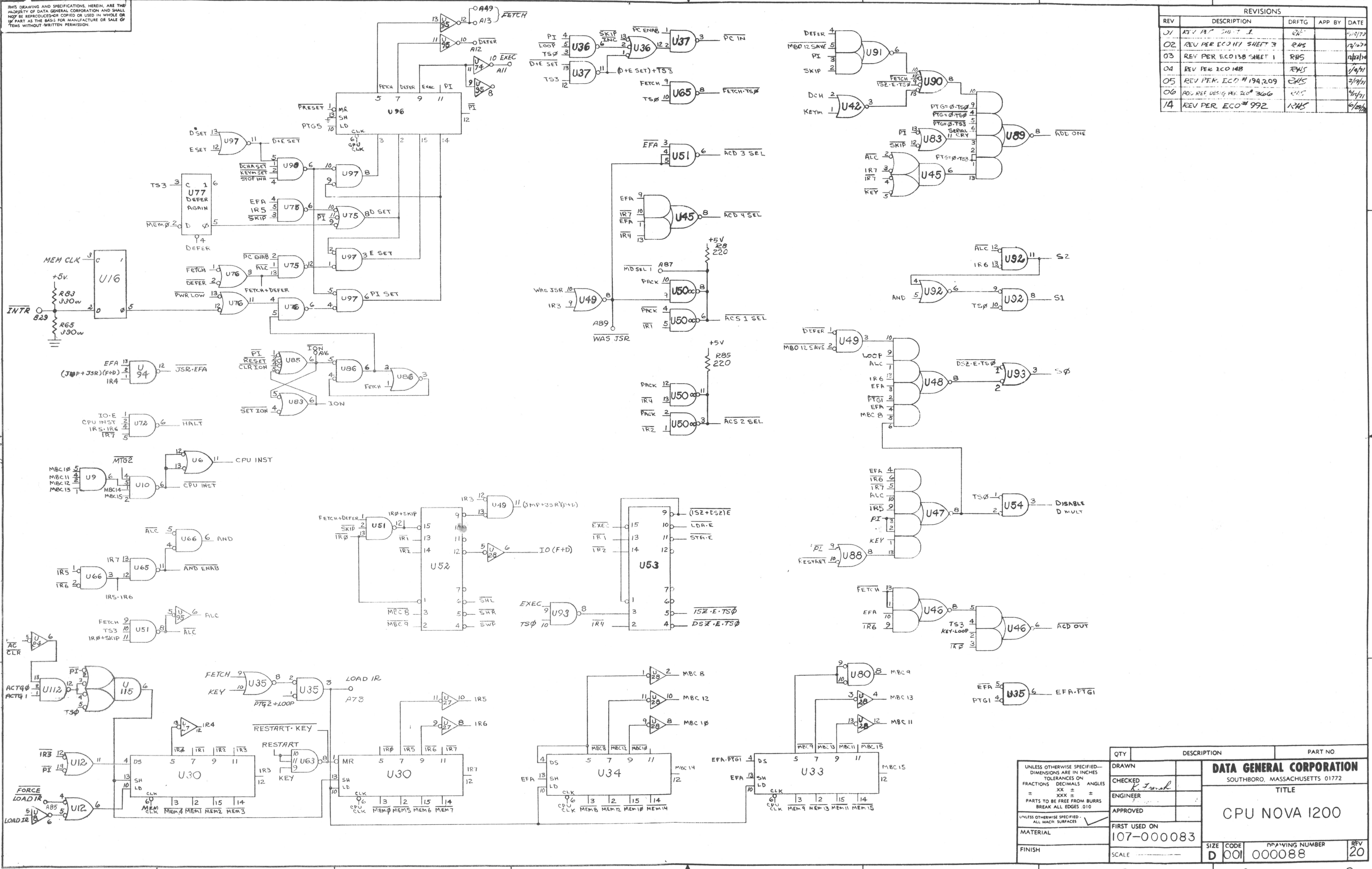
18	19, 20
17	18
16	17
15	16
14	15
13	14
REV	SCHEMATIC REV(S)
ARTWORK VS	SCHEMATIC
ARTWORK: 107000083	

QTY.	DESCRIPTION	PART NO.
	DRAWN	
	CHECKED	
	ENGINEER	
	APPROVED	
	FIRST USED ON	
	107-000083	
	SCALE	
SIZE	CODE	DRAWING NUMBER
D	001	000088
		REV
		2

DATA GENERAL CORPORATION
SOUTHBORO, MASSACHUSETTS 01772
TITLE
CPU NOVA 1200

REVISIONS				
REV	DESCRIPTION	DRFTG	APP BY	DATE
01	REV PER ECO #1 SHEET 1	RMS		10/27/70
02	REV PER ECO #11 SHEET 3	RMS		12/28/70
03	REV PER ECO #138 SHEET 1	RMS		11/24/70
04	REV PER ECO #148	RMS		1/4/71
05	REV PER ECO #194,209	RMS		7/19/71
06	REV PER DESIG REV #208,306	RMS		11/17/71
14	REV PER ECO #992	RMS		6/28/72

THIS DRAWING AND SPECIFICATIONS HEREIN ARE THE PROPERTY OF DATA GENERAL CORPORATION AND SHALL NOT BE REPRODUCED OR COPIED OR USED IN WHOLE OR IN PART AS THE BASIS FOR MANUFACTURE OR SALE OF ITEMS WITHOUT WRITTEN PERMISSION.

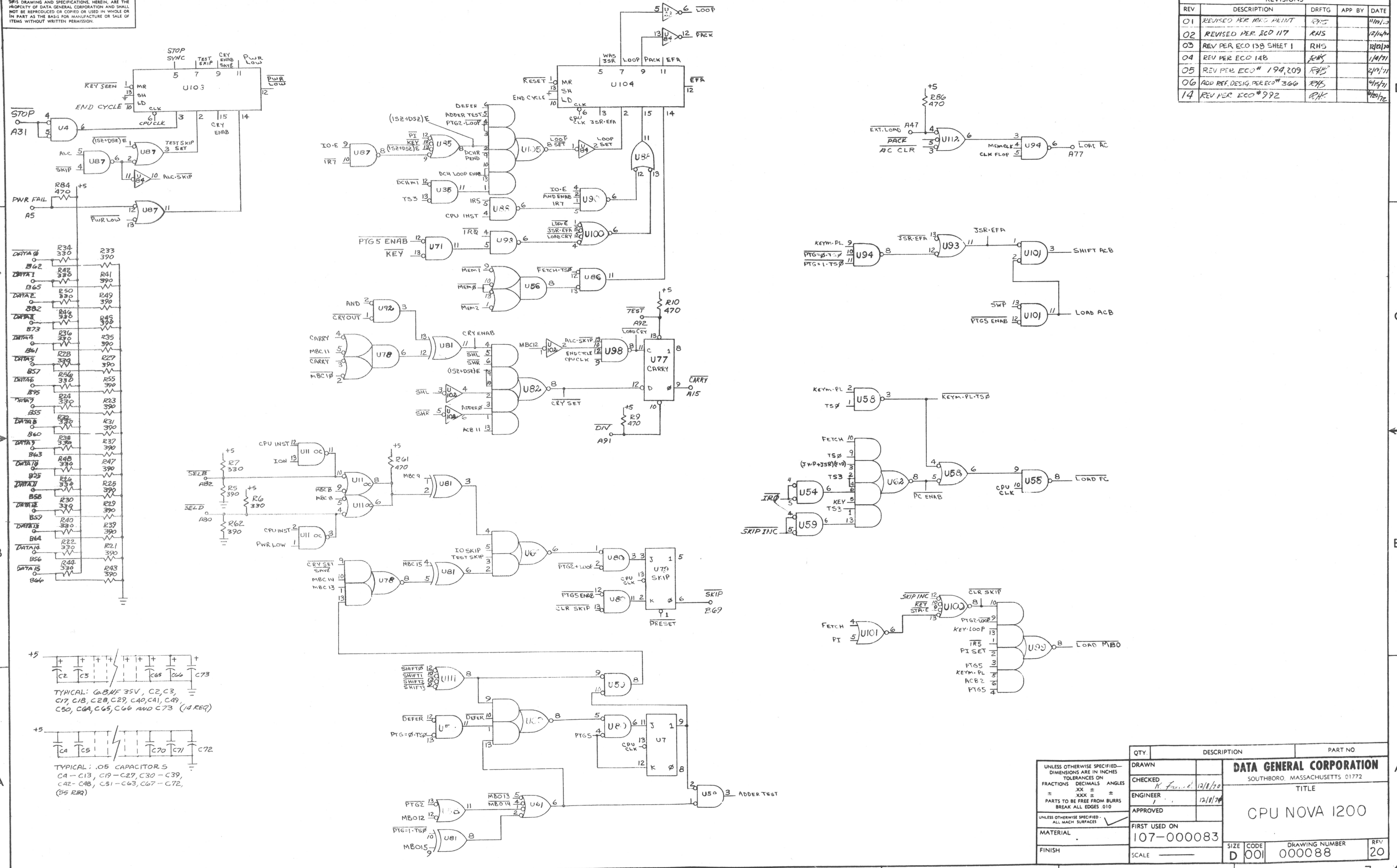


QTY		DESCRIPTION	PART NO
UNLESS OTHERWISE SPECIFIED— DIMENSIONS ARE IN INCHES	DRAWN		
FRACTIONS DECIMALS ANGLES	CHECKED		
± .010 ± .020 ± .050	ENGINEER		
PARTS TO BE FREE FROM BURRS	APPROVED		
BREAK ALL EDGES 010	FIRST USED ON		
UNLESS OTHERWISE SPECIFIED— ALL MACH SURFACES	107-000083		
MATERIAL	SCALE		
FINISH			

DATA GENERAL CORPORATION			
SOUTHBORO, MASSACHUSETTS 01772			
TITLE			
CPU NOVA 1200			
SIZE	CODE	DRAWING NUMBER	REV
D	001	000088	20

THIS DRAWING AND SPECIFICATIONS, HEREIN, ARE THE PROPERTY OF DATA GENERAL CORPORATION AND SHALL NOT BE REPRODUCED OR COPIED OR USED IN WHOLE OR IN PART AS THE BASIS FOR MANUFACTURE OR SALE OF ITEMS WITHOUT WRITTEN PERMISSION.

REVISIONS				
REV	DESCRIPTION	DRFTG	APP BY	DATE
01	REVISED PER MFG PRINT	RHS		11/1/70
02	REVISED PER ECO 117	RHS		12/14/70
03	REV PER ECO 138 SHEET 1	RHS		12/21/70
04	REV PER ECO 148	RHS		1/4/71
05	REV PER ECO # 194,209	RHS		2/19/71
06	ADD REF. DESIG. PER ECO # 360	RHS		6/15/71
14	REV PER ECO # 992	RHS		9/16/72



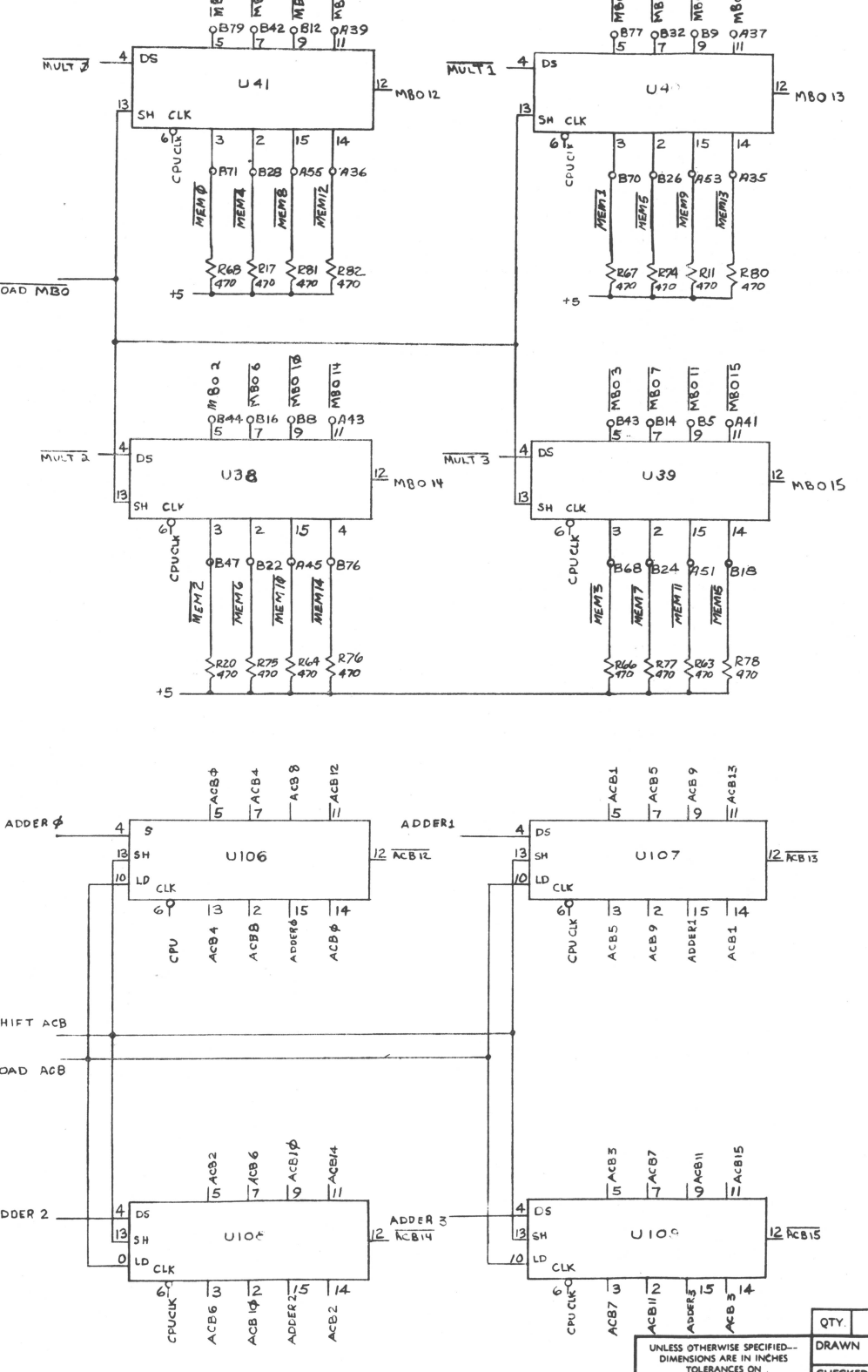
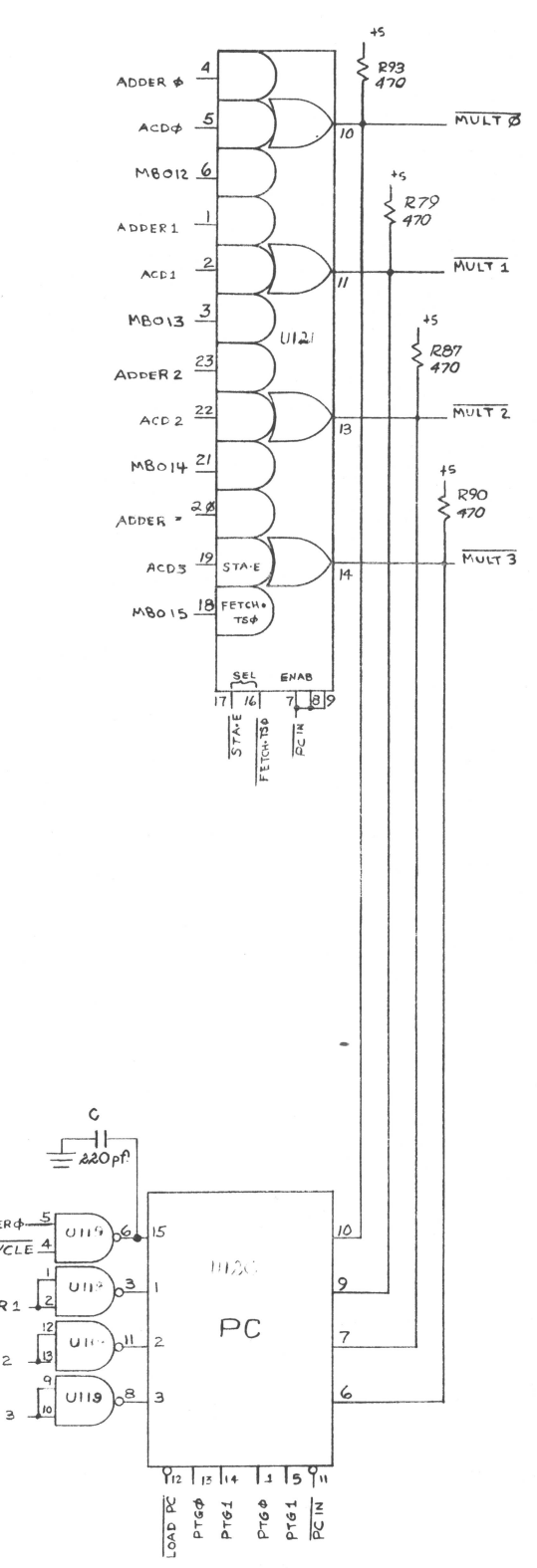
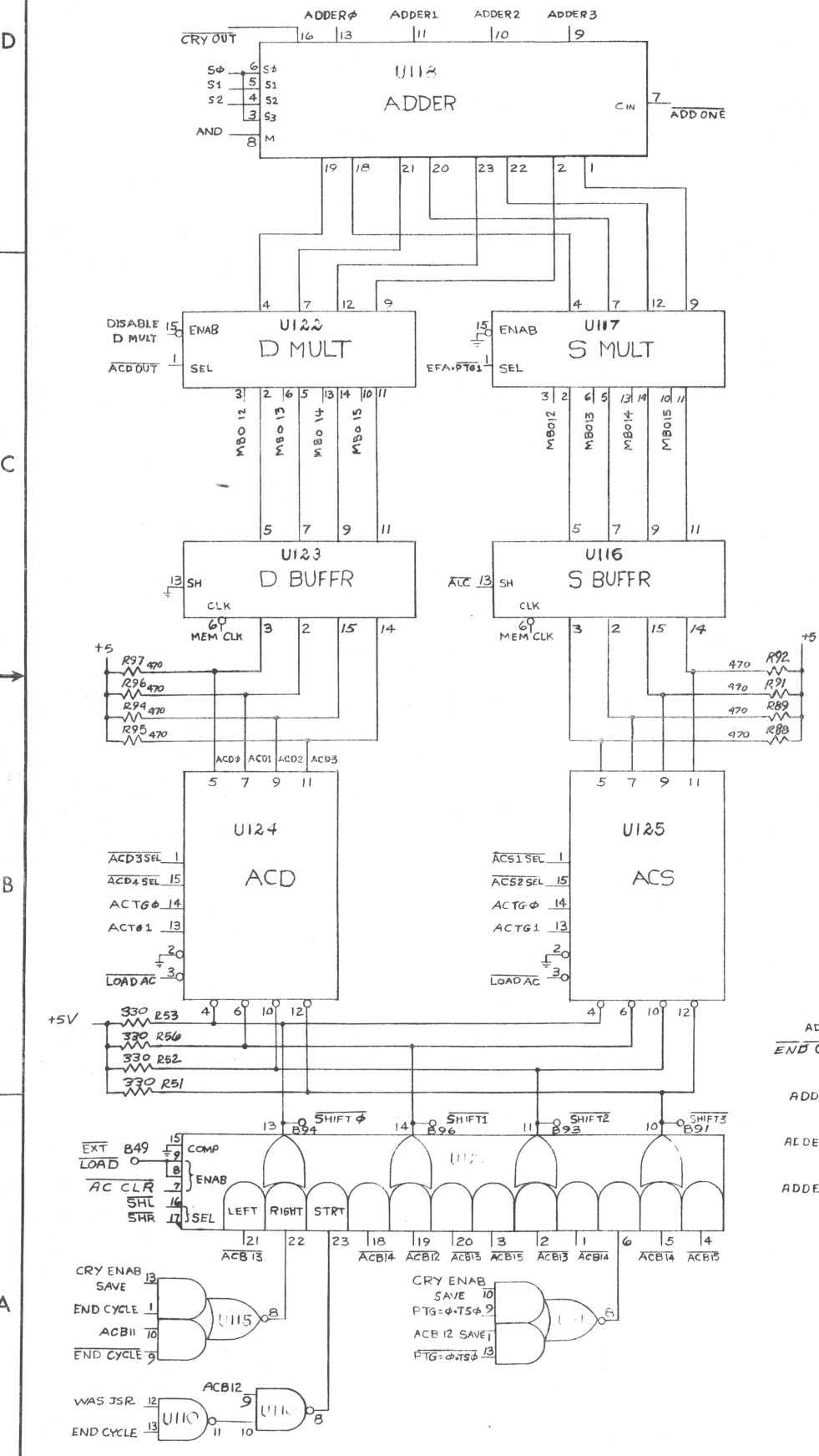
TYPICAL: 0.05 CAPACITORS
 C4 - C13, C19 - C27, C30 - C39,
 C42 - C48, C51 - C63, C67 - C72,
 (55 REQ)

TYPICAL: 0.05 CAPACITORS
 C2, C3,
 C17, C18, C28, C29, C40, C41, C49,
 C50, C64, C65, C66 AND C73 (4 REQ)

QTY.	DESCRIPTION	PART NO
	UNLESS OTHERWISE SPECIFIED— DIMENSIONS ARE IN INCHES TOLERANCES ON FRACTIONS DECIMALS ANGLES XXX ± PARTS TO BE FREE FROM BURRS BREAK ALL EDGES 0.010	
	UNLESS OTHERWISE SPECIFIED— ALL MACH. SURFACES	
	MATERIAL	
	FINISH	
	FIRST USED ON 107-000083	
	SCALE	
	DRAWN	
	CHECKED	
	ENGINEER	
	APPROVED	
	DATE	
	TITLE	
	CPU NOVA 1200	
	SIZE	DRAWING NUMBER
	CODE	000088
	REV	20

THIS DRAWING AND SPECIFICATIONS, HEREIN, ARE THE PROPERTY OF DATA GENERAL CORPORATION AND SHALL NOT BE REPRODUCED OR COPIED OR USED IN WHOLE OR IN PART AS THE BASIS FOR MANUFACTURE OR SALE OF ITEMS WITHOUT WRITTEN PERMISSION.

REVISIONS				
REV	DESCRIPTION	DRFTG	APP BY	DATE
01	REVISED PER MKD PRINT	RHS		11/9/70
02	REV PER ECO 117 SHEET 3	RHS		12/14/70
03	REV PER ECO 138 SHEET 1	RHS		12/22/70
04	REV PER ECO 148	RHS		1/4/71
05	REV PER ECO # 194, 209	RHS		2/19/71
06	ADD REV. DESIG PER ECO # 366	RHS		6/15/71
14	PER ECO # 992	RHS		6/29/72



ALL CAPACITORS ARE IN MICROFARADS AND ALL RESISTORS ARE IN OHMS. 1/4 WATT, WITH 5% TOLERANCE UNLESS OTHERWISE SPECIFIED.

UNLESS OTHERWISE SPECIFIED-- DIMENSIONS ARE IN INCHES FRACTIONS DECIMALS ANGLES XX XX XX PARTS TO BE FREE FROM BURRS BREAK ALL EDGES 010	UNLESS OTHERWISE SPECIFIED-- ALL MACH SURFACES	QTY.	DESCRIPTION	PART NO.
CHECKED <i>R. French</i> 1/13/71	APPROVED <i>R. Casson</i> 1/18/71			
FIRST USED ON 107-000083		DATA GENERAL CORPORATION SOUTHBORO, MASSACHUSETTS 01772 TITLE CPU NOVA 1200		
MATERIAL	FINISH	SIZE D 001	CODE 000088	DRAWING NUMBER 000088
		SCALE		REV 20