

THIS DRAWING AND SPECIFICATIONS, HEREIN, ARE THE PROPERTY OF DATA GENERAL CORPORATION AND SHALL NOT BE REPRODUCED OR COPIED OR USED IN WHOLE OR IN PART AS THE BASIS FOR MANUFACTURE OR SALE OF ITEMS WITHOUT WRITTEN PERMISSION.

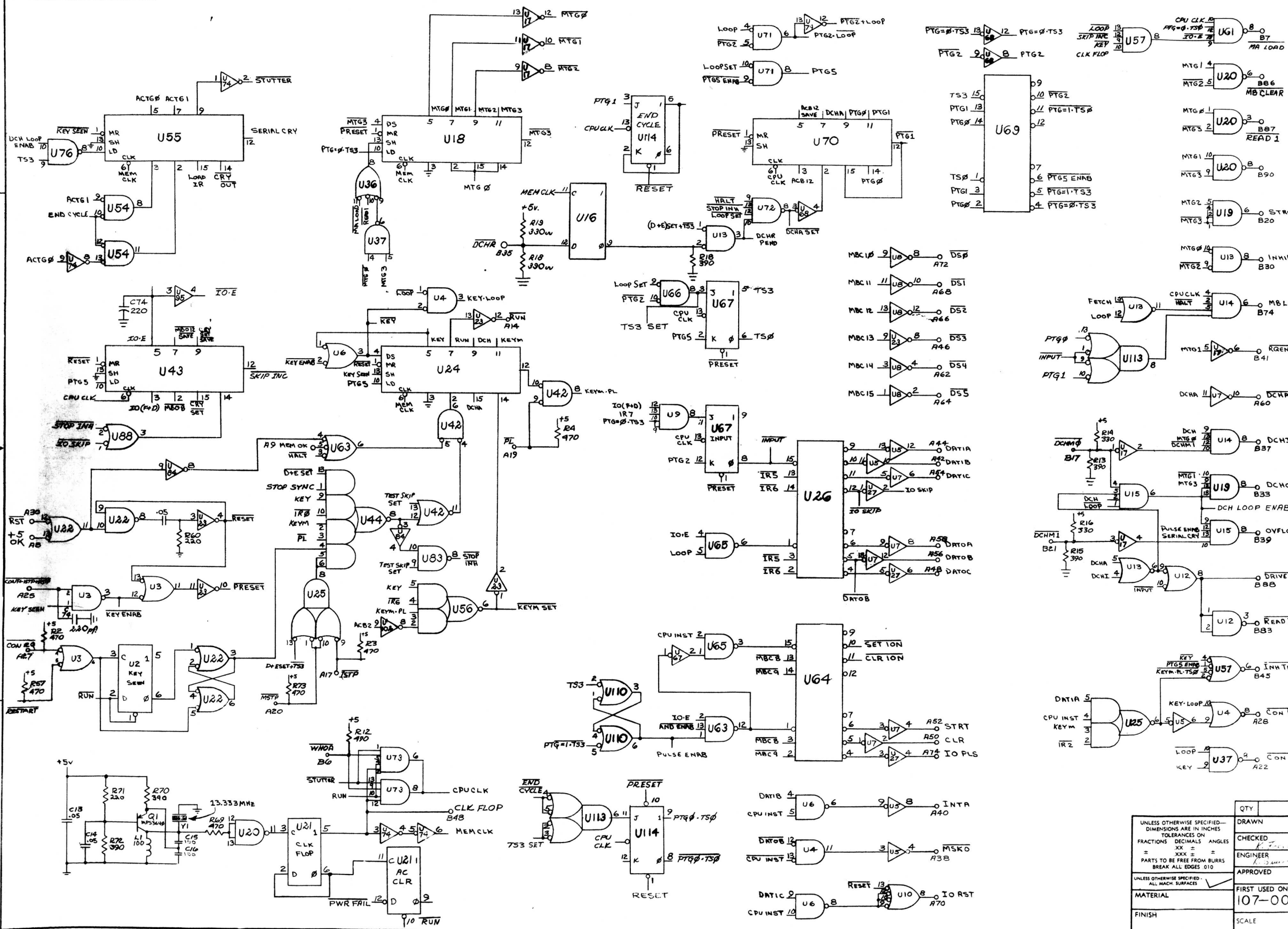
REVISIONS				
REV	DESCRIPTION	DRFTG	APP BY	DATE
01	REVISED PER MKD PRINT	RHS		11/17/70
02	REV PER ECO 117 SHEET 3	RHS		11/17/70
03	REV PER ECO 138 SHEET 1	RHS		12/17/70
04	REV PER ECO 148 SHEETS 2-4	RHS		1/17/71
05	REV PER ECO #194, 209	RHS		2/19/71
06	ADD REF. DESIG. PER ECO #366	RHS		5/14/71
07	ECO 266, 299, 365, 413, 447, 562+575	RHS		11/17/71
14	REV. PER ECO # 992	RHS		9/29/72
15	REV. PER ECO # 1060	RHS		7/27/72
16	ECO # 1328	R.H.C.		12-18-72
17	ECO # 2129	R.H.C.		12-18-72
18	ECO # 2558	R.H.C.		5-9-74
19	ECO # 2831	RA5	RH	7-27-74

D

C

B

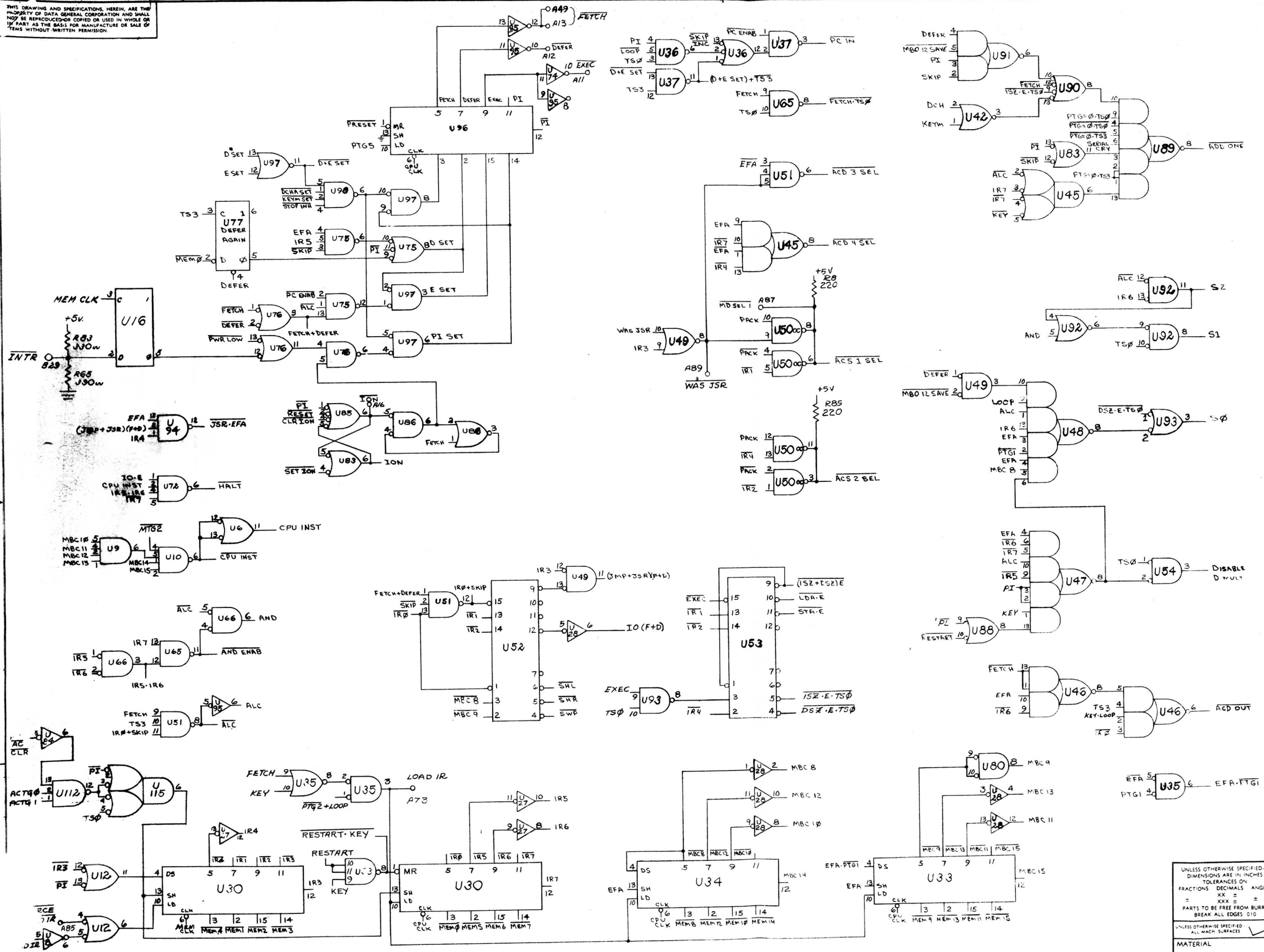
A



QTY	DESCRIPTION	PART NO
	DATA GENERAL CORPORATION	
	SOUTHBORO, MASSACHUSETTS 01772	
	TITLE	
	CPU NOVA 1200	
	FIRST USED ON	107-000083
FINISH	SCALE	D 001
	DRAWING NUMBER	000088
	REV	19

THIS DRAWING AND SPECIFICATIONS, HEREIN, ARE THE PROPERTY OF DATA GENERAL CORPORATION AND SHALL NOT BE REPRODUCED OR COPIED IN WHOLE OR IN PART AS THE BASIS FOR MANUFACTURE OR SALE OF ITEMS WITHOUT WRITTEN PERMISSION.

REVISIONS				
REV	DESCRIPTION	DRFTG	APP BY	DATE
01	REV PER ECO # 111 SHEET 1	RHS		11/19/72
02	REV PER ECO # 111 SHEET 3	RHS		11/19/72
03	REV PER ECO # 138 SHEET 1	RHS		12/21/72
04	REV PER ECO # 148	RHS		1/17/73
05	REV PER ECO # 194, 209	RHS		3/19/73
06	REV PER DES 9 REV 80# 306	RHS		4/17/73
14	REV PER ECO # 992	RHS		6/12/73



QTY		DESCRIPTION		PART NO	
DRAWN		CHECKED <i>K. F.</i>		ENGINEER	
APPROVED		FIRST USED ON		MATERIAL	
FINISH		SCALE		SIZE CODE	

DATA GENERAL CORPORATION			
SOUTHBORO, MASSACHUSETTS 01772			
TITLE			
CPU NOVA 1200			
SIZE CODE	D 001	DRAWING NUMBER	000088
REV	1		

THIS DRAWING AND SPECIFICATIONS, HEREIN, ARE THE PROPERTY OF DATA GENERAL CORPORATION AND SHALL NOT BE REPRODUCED OR COPIED OR USED IN WHOLE OR IN PART AS THE BASIS FOR MANUFACTURE OR SALE OF ITEMS WITHOUT WRITTEN PERMISSION.

REVISIONS				
REV	DESCRIPTION	DRFTG	APP BY	DATE
01	REVISED PER MFG PRINT	RHS		11/19/70
02	REVISED PER ECO 117	RHS		12/14/70
03	REV PER ECO 138 SHEET 1	RHS		12/21/70
04	REV PER ECO 148	RHS		1/11/71
05	REV PER ECO# 194,209	RHS		2/19/71
06	ADD REF. DESIG. PER ECO# 366	RHS		4/14/71
14	REV PER ECO# 992	RHS		9/20/72

D

C

B

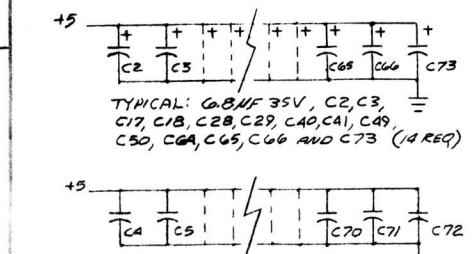
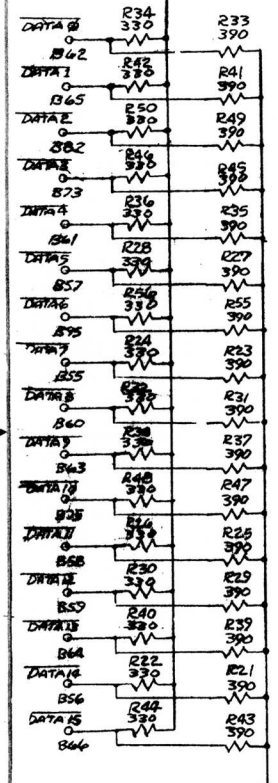
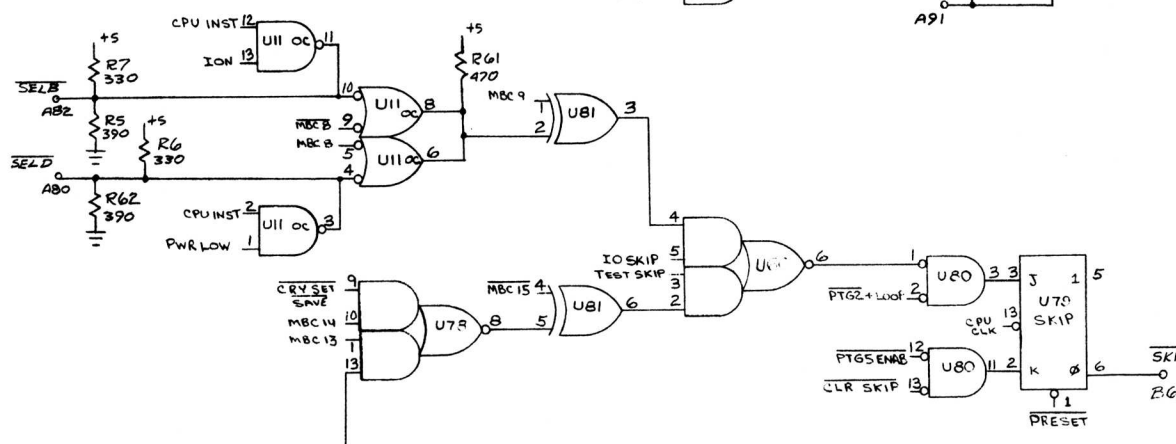
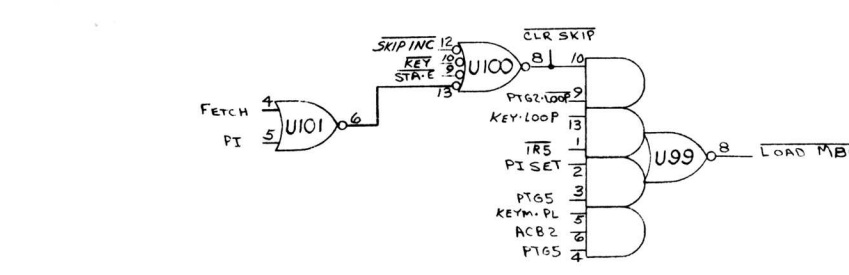
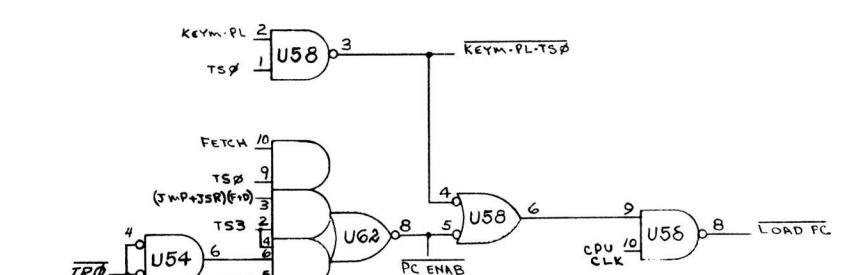
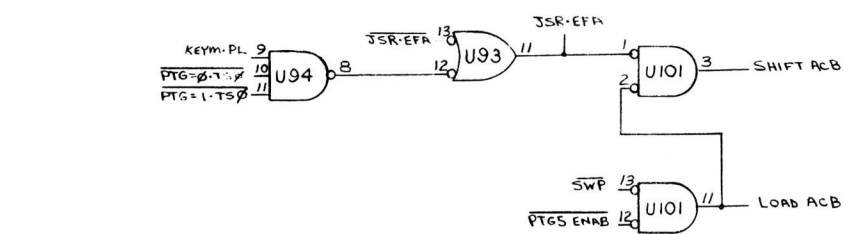
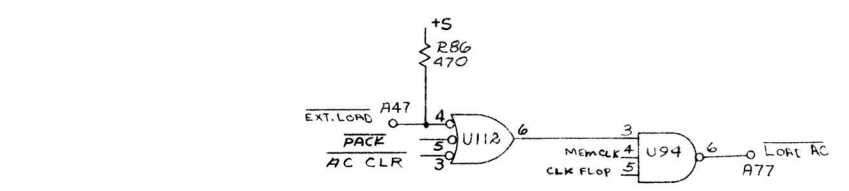
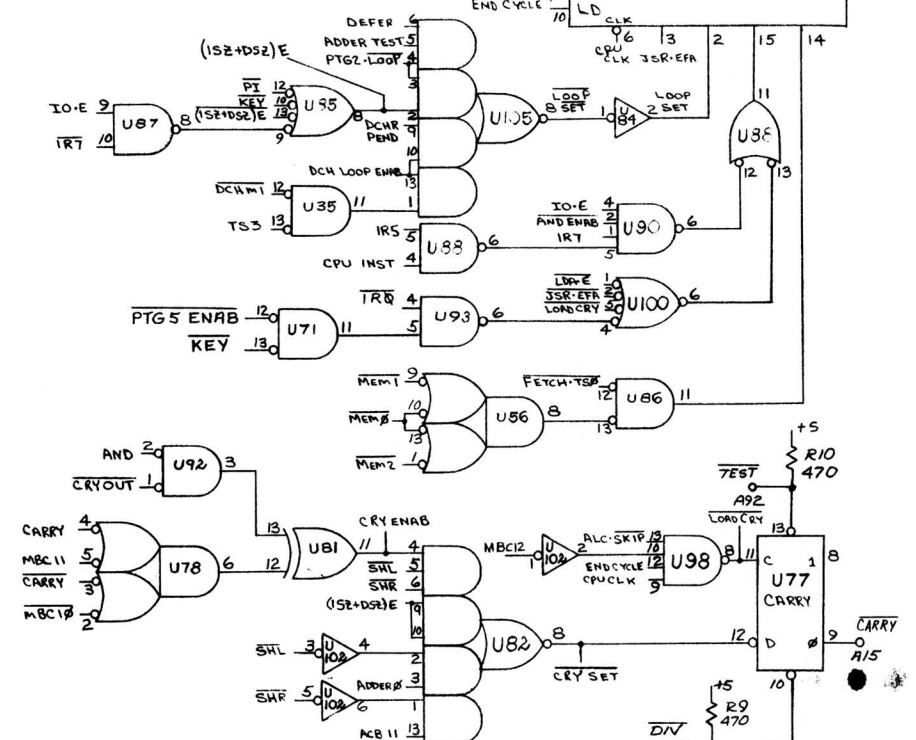
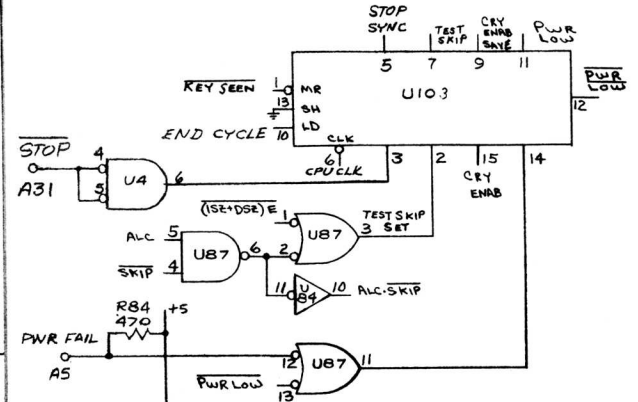
A

D

C

B

A

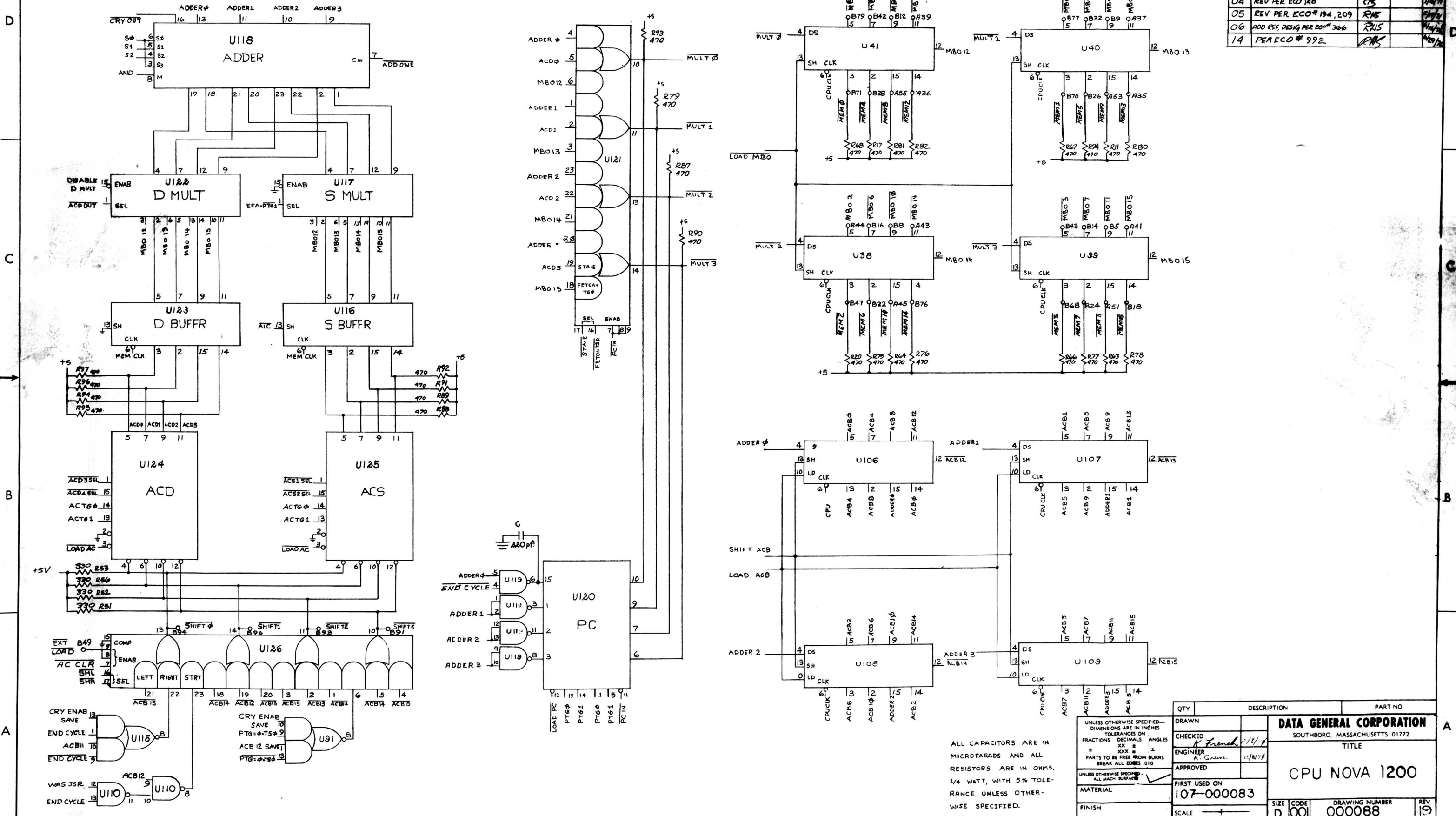


QTY	DESCRIPTION	PART NO
	DRAWN	
	CHECKED	
	ENGINEER	
	APPROVED	
	FIRST USED ON	
	107-000083	
	MATERIAL	
	FINISH	
	SCALE	

DATA GENERAL CORPORATION			
SOUTHBORO, MASSACHUSETTS 01772			
TITLE			
CPU NOVA 1200			
SIZE	CODE	DRAWING NUMBER	REV
D	001	000088	19

THIS DRAWING AND SPECIFICATIONS, HEREIN, ARE THE PROPERTY OF DATA GENERAL CORPORATION AND SHALL NOT BE REPRODUCED OR COPIED OR USED IN WHOLE OR IN PART AS THE BASIS FOR MANUFACTURE OR SALE OF ITEMS WITHOUT WRITTEN PERMISSION.

REVISIONS				
REV.	DESCRIPTION	DRFTG.	APP. BY	DATE
01	REVISED PER MKD PRINT	RHS		11/19/70
02	REV PER ECO 117 SHEET 3	RHS		11/19/70
03	REV PER ECO 128 SHEET 1	RHS		11/19/70
04	REV PER ECO 148	RHS		11/19/70
05	REV PER ECO# 194, 209	RHS		11/19/70
06	ADD EXT. DESIG PER ECO# 366	RHS		11/19/70
14	PER ECO # 992	RHS		11/19/70



ALL CAPACITORS ARE IN MICROFARADS AND ALL RESISTORS ARE IN OHMS. 1/4 WATT, WITH 5% TOLERANCE UNLESS OTHERWISE SPECIFIED.

QTY	DESCRIPTION	PART NO
	UNLESS OTHERWISE SPECIFIED—DIMENSIONS ARE IN INCHES	
	TOLERANCES ON FRACTIONS DECIMALS ANGLES	
	XXX ± .010	
	XXX ± .005	
	XXX ± .002	
	XXX ± .001	
	UNLESS OTHERWISE SPECIFIED—ALL MACH SURFACES	
	MATERIAL	
	FINISH	
	DRAWN	
	CHECKED	
	ENGINEER	
	APPROVED	
	FIRST USED ON	
	107-000083	
	SCALE	

DATA GENERAL CORPORATION			
SOUTHBORO, MASSACHUSETTS 01772			
TITLE			
CPU NOVA 1200			
SIZE	CODE	DRAWING NUMBER	REV
D	001	000088	19