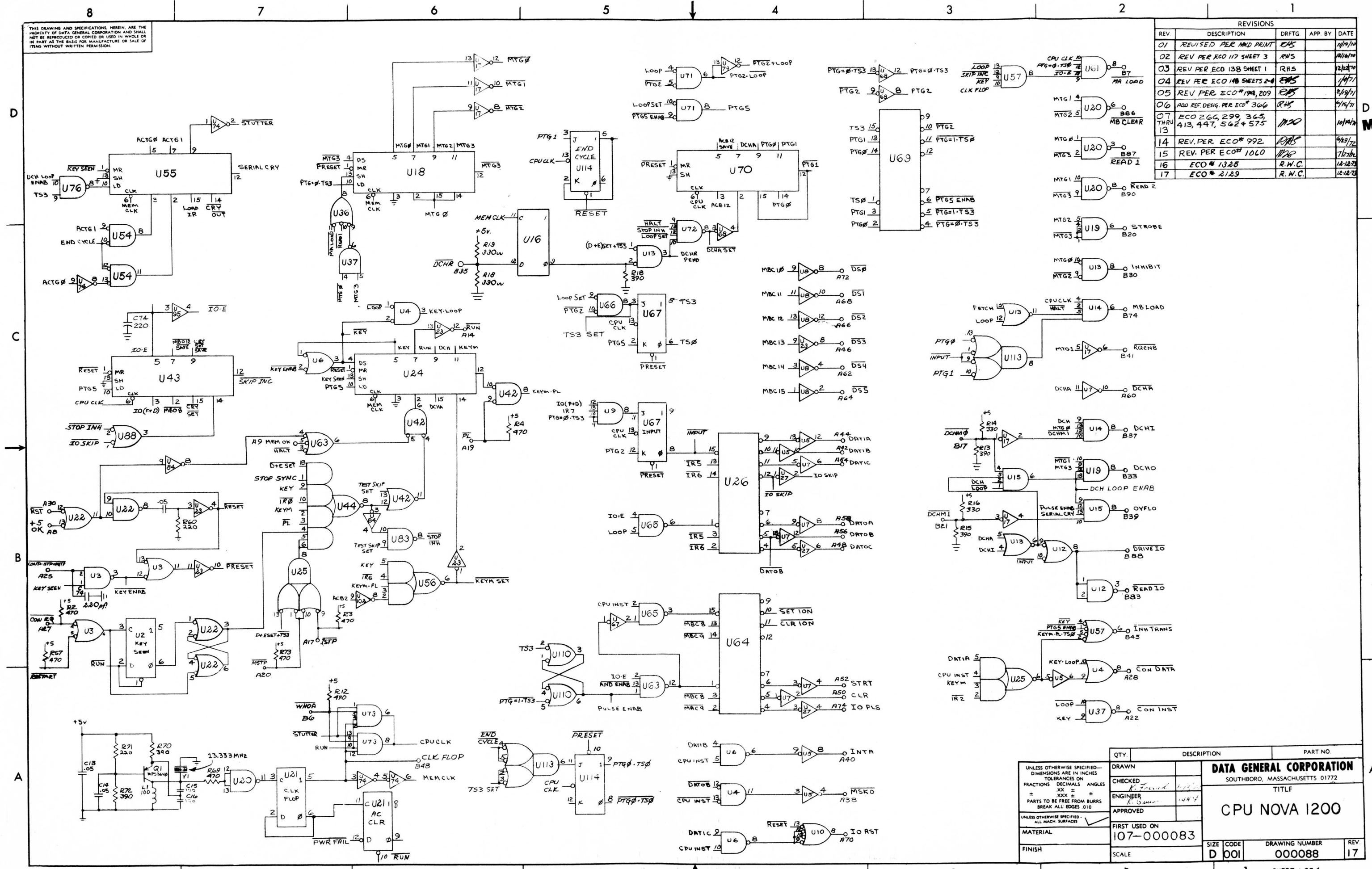


THIS DRAWING AND SPECIFICATIONS, HEREIN, ARE THE PROPERTY OF DATA GENERAL CORPORATION AND SHALL NOT BE REPRODUCED OR COPIED OR USED IN WHOLE OR IN PART AS THE BASIS FOR MANUFACTURE OR SALE OF ITEMS WITHOUT WRITTEN PERMISSION.

REVISIONS				
REV	DESCRIPTION	DRFTG	APP BY	DATE
01	REVISED PER MKD PRINT	RHS		11/17/70
02	REV PER ECO 117 SHEET 3	RHS		11/16/70
03	REV PER ECO 138 SHEET 1	RHS		12/14/70
04	REV PER ECO 148 SHEETS 2-4	RHS		1/14/71
05	REV PER ECO #194, 209	RHS		2/19/71
06	ADD REF DESIG. PER ECO #366	RHS		4/15/71
07	ECO 266, 299, 365, 413, 447, 562 + 575	1120		10/14/71
14	REV. PER. ECO # 992	RHS		4/13/72
15	REV. PER ECO # 1060	RHS		7/21/72
16	ECO # 1328	R.W.C.		12-18-73
17	ECO # 2129	R.W.C.		12-18-73

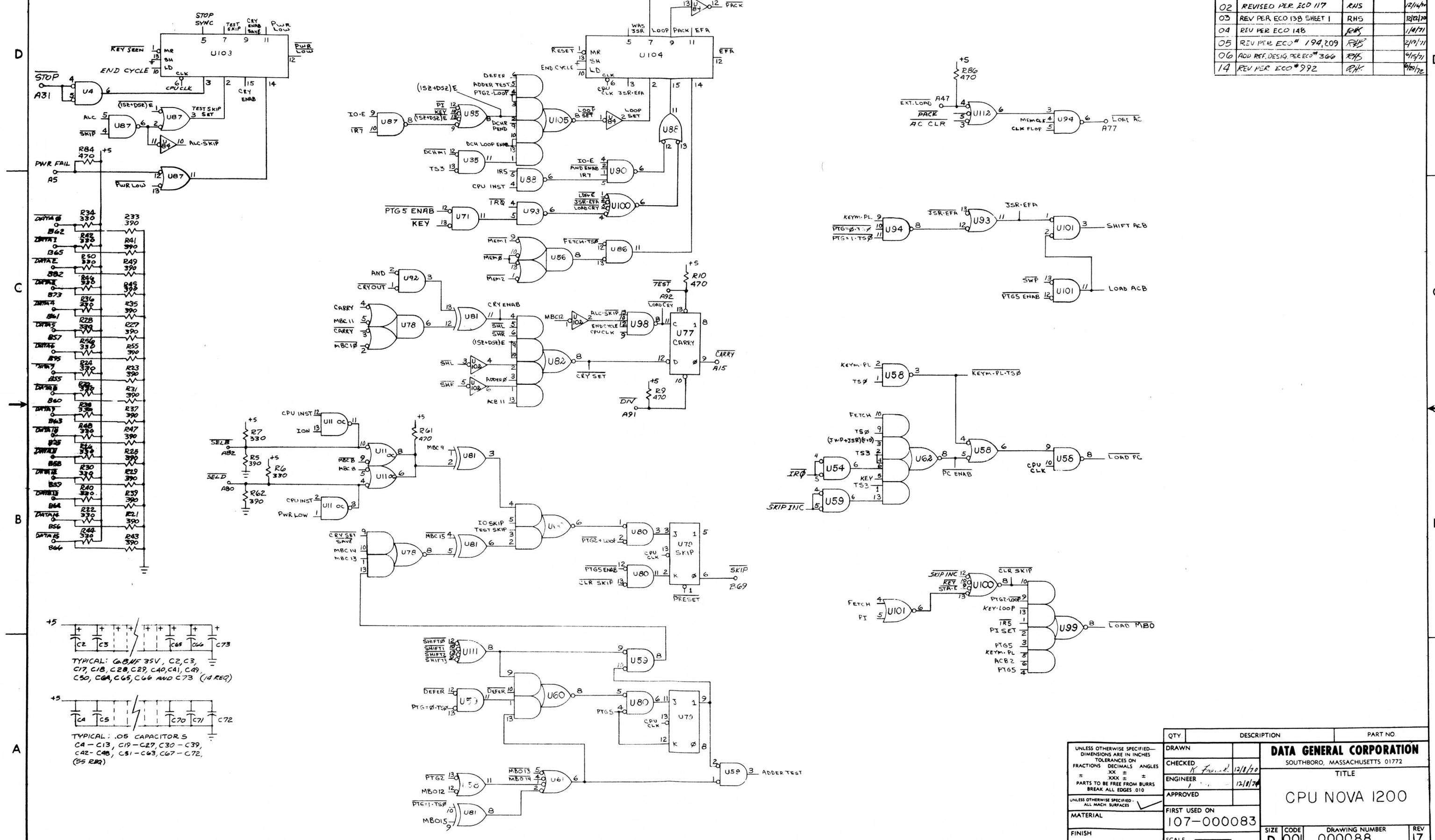


QTY	DESCRIPTION	PART NO
	UNLESS OTHERWISE SPECIFIED—DIMENSIONS ARE IN INCHES TOLERANCES ON FRACTIONS DECIMALS ANGLES	
	XX ±	
	XXX ±	
	PARTS TO BE FREE FROM BURRS BREAK ALL EDGES 0.10	
	UNLESS OTHERWISE SPECIFIED—ALL MACH SURFACES	
	MATERIAL	
	FINISH	
	DRAWN	
	CHECKED	
	ENGINEER	
	APPROVED	
	FIRST USED ON	
	107-000083	
	SCALE	
	SIZE	
	CODE	
	DRAWING NUMBER	
	000088	
	REV	
	17	

DATA GENERAL CORPORATION
SOUTHBORO, MASSACHUSETTS 01772
TITLE
CPU NOVA 1200

THIS DRAWING AND SPECIFICATIONS HEREIN, ARE THE PROPERTY OF DATA GENERAL CORPORATION AND SHALL NOT BE REPRODUCED OR COPIED OR USED IN WHOLE OR IN PART AS THE BASIS FOR MANUFACTURE OR SALE OF ITEMS WITHOUT WRITTEN PERMISSION.

REVISIONS				
REV	DESCRIPTION	DRFTG	APP BY	DATE
01	REVISED PER MFG PRINT	RHS		11/19/70
02	REVISED PER ECO 117	RHS		12/14/70
03	REV PER ECO 138 SHEET 1	RHS		12/21/70
04	REV PER ECO 148	RHS		1/14/71
05	REV PER ECO # 194,209	RHS		2/19/71
06	ADD REF. DESIG. PER ECO # 366	RHS		4/15/71
14	REV PER ECO # 992	RHS		6/21/72



TYPICAL: .05 CAPACITORS
 CA - C13, C19 - C27, C30 - C39, C42 - C48, C51 - C63, C67 - C72, (55 REQ)

TYPICAL: .05 CAPACITORS
 C2, C3, C17, C18, C28, C29, C40, C41, C49, C50, C64, C65, C66 AND C73 (14 REQ)

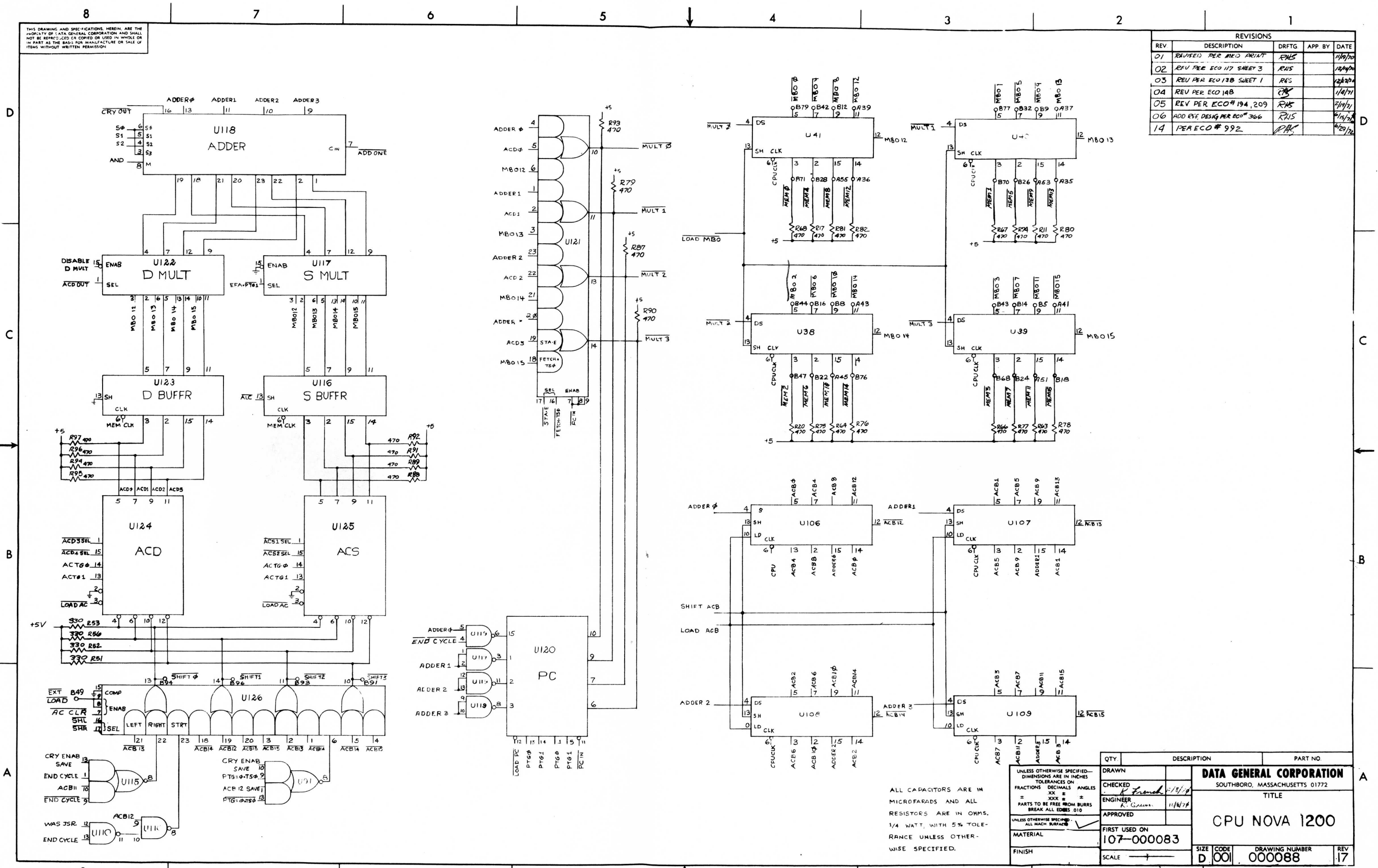
QTY	DESCRIPTION	PART NO
	DRAWN	
	CHECKED	
	ENGINEER	
	APPROVED	
	FIRST USED ON	
	107-000083	
	SCALE	

UNLESS OTHERWISE SPECIFIED—	
DIMENSIONS ARE IN INCHES	
FRACTIONS DECIMALS ANGLES	
XX XX =	
PARTS TO BE FREE FROM BURRS	
BREAK ALL EDGES .010	
ALL MACH SURFACES	

DATA GENERAL CORPORATION	
SOUTHBORO, MASSACHUSETTS 01772	
TITLE	
CPU NOVA 1200	
SIZE	CODE
D 001	000088
DRAWING NUMBER	REV
000088	17

THIS DRAWING AND SPECIFICATIONS HEREIN ARE THE PROPERTY OF DATA GENERAL CORPORATION AND SHALL NOT BE REPRODUCED OR COPIED OR USED IN WHOLE OR IN PART AS THE BASIS FOR MANUFACTURE OR SALE OF ITEMS WITHOUT WRITTEN PERMISSION.

REVISIONS				
REV	DESCRIPTION	DRFTG	APP BY	DATE
01	REVISED PER MKD PRINT	RHS		11/19/70
02	REV PER ECO #117 SHEET 3	RHS		12/14/70
03	REV PER ECO #138 SHEET 1	RHS		12/22/70
04	REV PER ECO #148	RHS		1/14/71
05	REV PER ECO #194, 209	RHS		2/19/71
06	ADD EFF DESIGN PER ECO #366	RHS		4/15/71
14	PER ECO #992	RHS		6/29/72



ALL CAPACITORS ARE IN MICROFARADS AND ALL RESISTORS ARE IN OHMS. 1/4 WATT, WITH 5% TOLERANCE UNLESS OTHERWISE SPECIFIED.

QTY	DESCRIPTION	PART NO.																																		
<table border="1"> <tr> <td>DRAWN</td> <td></td> </tr> <tr> <td>CHECKED</td> <td><i>R French</i> 11/18/70</td> </tr> <tr> <td>ENGINEER</td> <td><i>R Green</i> 11/16/70</td> </tr> <tr> <td>APPROVED</td> <td></td> </tr> </table>			DRAWN		CHECKED	<i>R French</i> 11/18/70	ENGINEER	<i>R Green</i> 11/16/70	APPROVED																											
DRAWN																																				
CHECKED	<i>R French</i> 11/18/70																																			
ENGINEER	<i>R Green</i> 11/16/70																																			
APPROVED																																				
<table border="1"> <tr> <td colspan="2">FIRST USED ON</td> <td>107-000083</td> </tr> <tr> <td colspan="2">MATERIAL</td> <td></td> </tr> <tr> <td colspan="2">FINISH</td> <td></td> </tr> </table>			FIRST USED ON		107-000083	MATERIAL			FINISH																											
FIRST USED ON		107-000083																																		
MATERIAL																																				
FINISH																																				
<table border="1"> <tr> <td>UNLESS OTHERWISE SPECIFIED—</td> <td></td> </tr> <tr> <td>DIMENSIONS ARE IN INCHES</td> <td></td> </tr> <tr> <td>FRACTIONS DECIMALS ANGLES</td> <td></td> </tr> <tr> <td>XX ±</td> <td></td> </tr> <tr> <td>XXX ±</td> <td></td> </tr> <tr> <td>PARTS TO BE FREE FROM BURRS</td> <td></td> </tr> <tr> <td>BREAK ALL EDGES .010</td> <td></td> </tr> </table>		UNLESS OTHERWISE SPECIFIED—		DIMENSIONS ARE IN INCHES		FRACTIONS DECIMALS ANGLES		XX ±		XXX ±		PARTS TO BE FREE FROM BURRS		BREAK ALL EDGES .010		<table border="1"> <tr> <td colspan="2">DATA GENERAL CORPORATION</td> </tr> <tr> <td colspan="2">SOUTHBORO, MASSACHUSETTS 01772</td> </tr> <tr> <td colspan="2">TITLE</td> </tr> <tr> <td colspan="2">CPU NOVA 1200</td> </tr> <tr> <td>SIZE</td> <td>CODE</td> </tr> <tr> <td>D</td> <td>001</td> </tr> <tr> <td colspan="2">DRAWING NUMBER</td> </tr> <tr> <td colspan="2">000083</td> </tr> <tr> <td>REV</td> <td></td> </tr> <tr> <td>17</td> <td></td> </tr> </table>	DATA GENERAL CORPORATION		SOUTHBORO, MASSACHUSETTS 01772		TITLE		CPU NOVA 1200		SIZE	CODE	D	001	DRAWING NUMBER		000083		REV		17	
UNLESS OTHERWISE SPECIFIED—																																				
DIMENSIONS ARE IN INCHES																																				
FRACTIONS DECIMALS ANGLES																																				
XX ±																																				
XXX ±																																				
PARTS TO BE FREE FROM BURRS																																				
BREAK ALL EDGES .010																																				
DATA GENERAL CORPORATION																																				
SOUTHBORO, MASSACHUSETTS 01772																																				
TITLE																																				
CPU NOVA 1200																																				
SIZE	CODE																																			
D	001																																			
DRAWING NUMBER																																				
000083																																				
REV																																				
17																																				