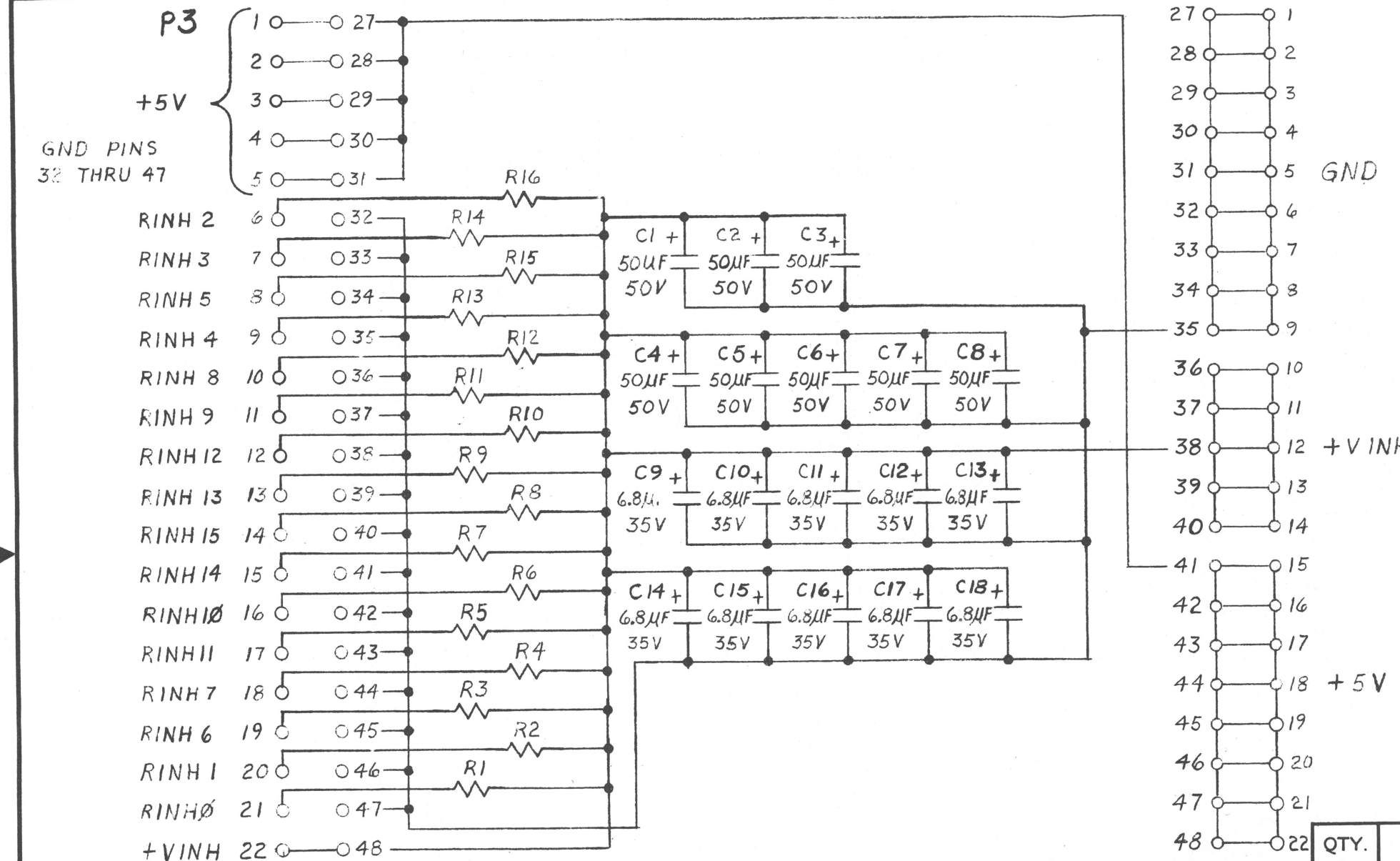


THIS DRAWING AND SPECIFICATIONS, HEREIN, ARE THE PROPERTY OF DATA GENERAL CORPORATION AND SHALL NOT BE REPRODUCED OR COPIED OR USED IN WHOLE OR IN PART AS THE BASIS FOR MANUFACTURE OR SALE OF ITEMS WITHOUT WRITTEN PERMISSION.

REVISIONS				
REV.	DESCRIPTION	DRFTG.	APP. BY	DATE
01	ECO# 212	RNK		11-9-71
02	ECO # 368	RNK		11-9-71
03	ECO # 407	WJG		8-6-71
04	REV PER ECO# 725	RHS		12/13/71
05	REV PER ECO# 768	RHS		1/5/72
06	REV PER ECO# 784	MGP		6/72
07	ECO# 1197	R.W.C.		12/4/72



- PF 23 ○ — ○ 23 PWR FAIL
- MEM OK 24 ○ — ○ 24 MEM OK
- 60 ~ 25 ○ — ○ 25 60 ~
- GND 26 ○ — ○ 26 GND
- 15V ○ 49 — ○ 49 -15V
- +5 OK ○ 50 — ○ 50 +5 OK
- 5V ○ 51 — ○ 51 -5V
- LIGHT ○ 52 — ○ 52 LIGHT

**NOTES:**  
 1. ALL RESISTORS ARE 8Ω, 4W, 3% UNLESS OTHERWISE SPECIFIED

UNLESS OTHERWISE SPECIFIED—  
 DIMENSIONS ARE IN INCHES  
 TOLERANCES ON FRACTIONS DECIMALS ANGLES  
 ± .XX ± ±  
 PARTS TO BE FREE FROM BURRS  
 BREAK ALL EDGES .010

UNLESS OTHERWISE SPECIFIED -  
 ALL MACH. SURFACES ✓

MATERIAL

FINISH

QTY.	DESCRIPTION	PART NO.
	DATA GENERAL CORPORATION	
	SOUTHBORO, MASSACHUSETTS 01772	
	TITLE	
	RESISTOR BOARD	
	DRAWN R. Kimball 10-8-70	
	CHECKED	
	ENGINEER	
	APPROVED	
	FIRST USED ON	
	107-000081	
	SCALE	
SIZE B	CODE 001	DRAWING NUMBER 000087
		REV. 07