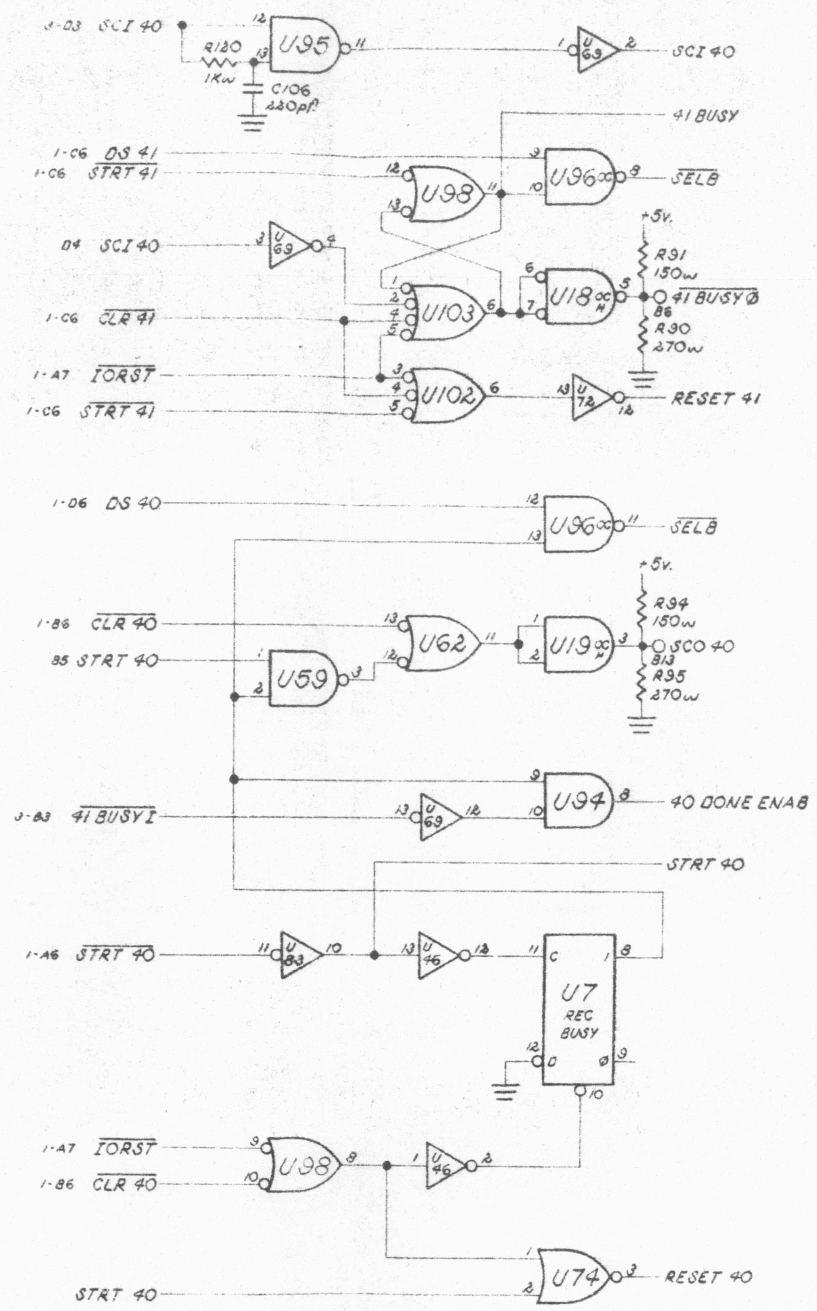
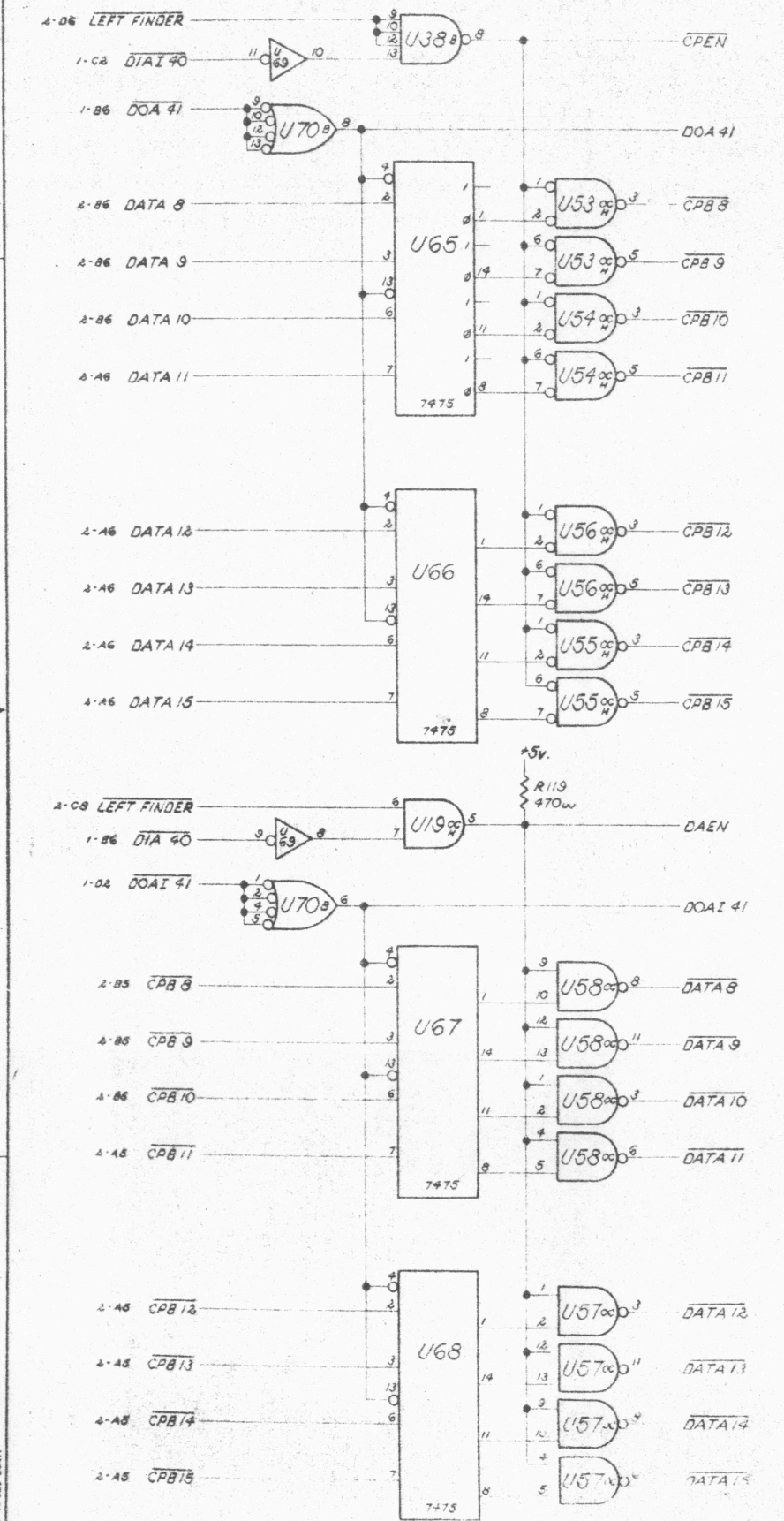
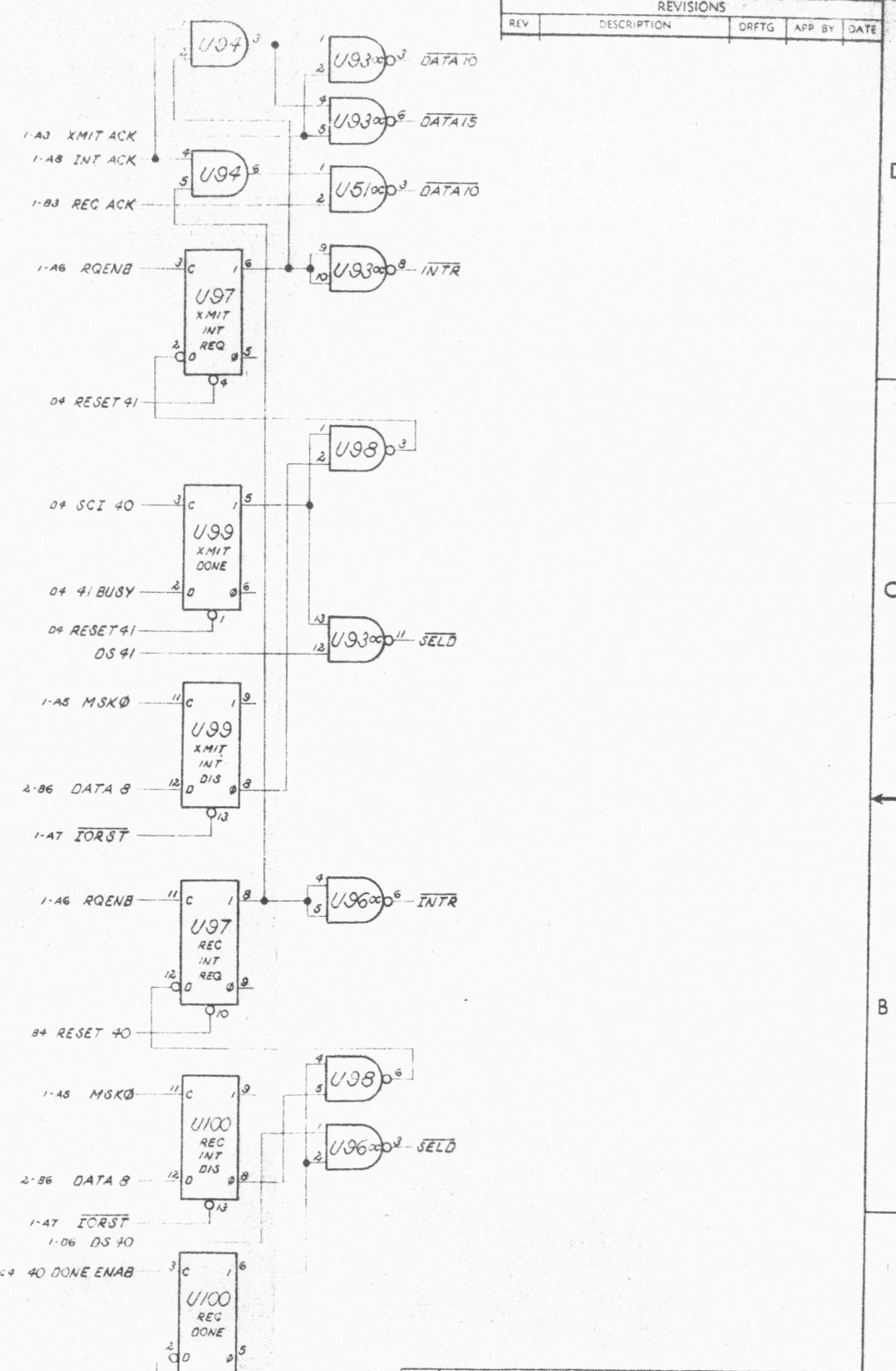


THIS DRAWING AND SPECIFICATIONS HEREIN ARE THE PROPERTY OF DATA GENERAL CORPORATION AND SHALL NOT BE REPRODUCED OR COPIED OR USED IN WHOLE OR IN PART AS THE BASIS FOR MANUFACTURE OR SALE OF ITEMS WITHOUT WRITTEN PERMISSION.



NOTES:
1. VCC/GND PINS ARE 5/12 RESPECTIVELY ON 7475'S.

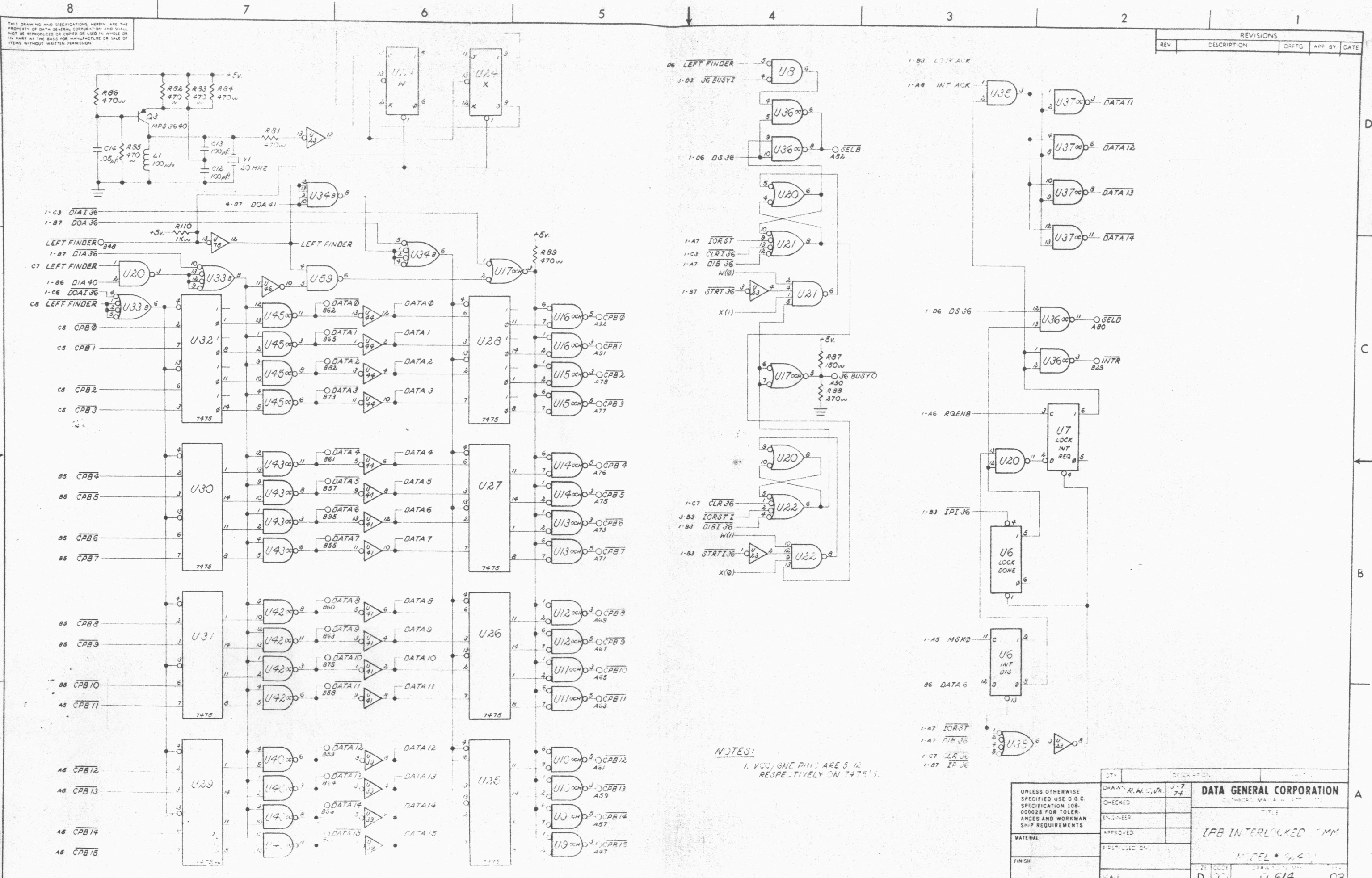


| REVISIONS | | | |
|-----------|-------------|-------|--------|
| REV | DESCRIPTION | DRFTG | APP BY |
| | | | |

| REV | DESCRIPTION | DRFTG | APP BY | DATE |
|-----|-------------|-------|--------|------|
| | | | | |

| | | | |
|---|-------------------|---------|--|
| UNLESS OTHERWISE SPECIFIED USE D.G.C. SPECIFICATION 108-000028 FOR TOLERANCES AND WORKMANSHIP REQUIREMENTS. | DRAWN: R.W.C. 078 | U-13 74 | DATA GENERAL CORPORATION SOUTH BORD, MASSACHUSETTS 01762 TITLE IPB NON-INTERLOCKED CHAN. (MODEL # 4240) |
| MATERIAL | CHECKED | | |
| FINISH | ENG. DESIGNED | | |
| | APPROVED | | |
| | FIRST USED ON | | |
| | SCALE | | DES. CODE D 001 DRAWING NO. 000014 TOL. 0.5 |

DRAWING 40-526 20411



| REVISIONS | | | |
|-----------|-------------|-------|------|
| REV | DESCRIPTION | DRAFT | DATE |
| | | | |

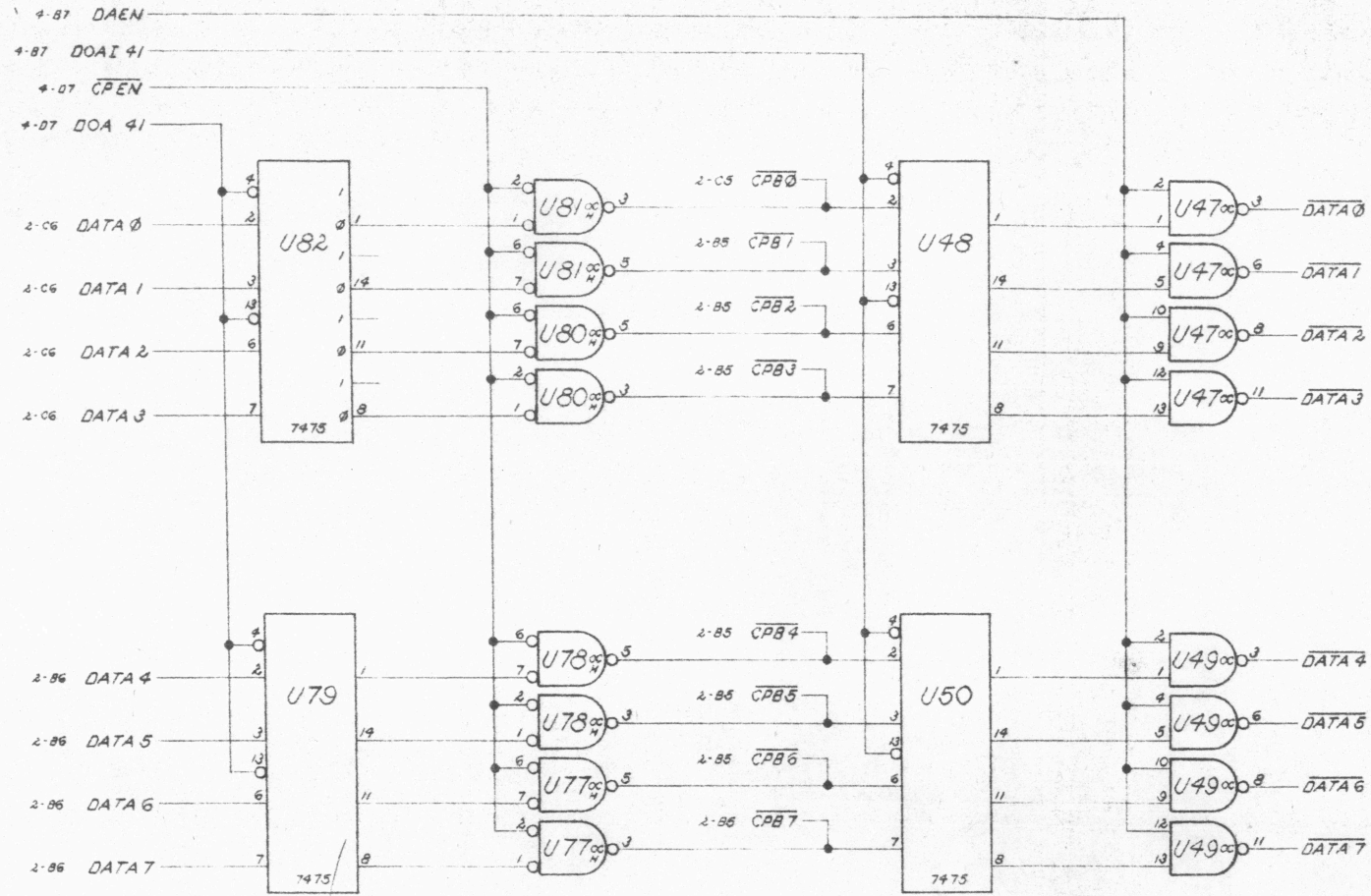
NOTES:
 1. VCC, GND, PINS ARE 5, 12, RESPECTIVELY ON 7475'S.

| | | | | | |
|--|--------------|-------------|---|------|----|
| UNLESS OTHERWISE SPECIFIED USE D.G.C. SPECIFICATION 108-000028 FOR TOLERANCES AND WORKMANSHIP REQUIREMENTS | QTY | DESCRIPTION | DATA GENERAL CORPORATION 1980 W. BROAD ST. RENO, NV 89501 IPB INTERLOCKED COMM MODEL # 5441 | | |
| | DRAWN | R.M. UVA | | | |
| | CHECKED | J.P. 74 | | | |
| | ENGINEER | | | | |
| MATERIAL | APPROVED | | SCALE | | |
| FINISH | DATE USED ON | | | | |
| | SCALE | D 100 | DATE | 6/14 | 03 |

BRUNING 40-226 20411

THIS DRAWING AND SPECIFICATIONS HEREIN ARE THE PROPERTY OF DATA GENERAL CORPORATION AND SHALL NOT BE REPRODUCED OR COPIED OR USED IN WHOLE OR IN PART AS THE BASIS FOR MANUFACTURE OR SALE OF ITEMS WITHOUT WRITTEN PERMISSION.

| REVISIONS | | | | |
|-----------|-------------|-----|--------|------|
| REV | DESCRIPTION | DWG | APP BY | DATE |
| | | | | |



| | | | | |
|---|----------|--------------|------|---|
| UNLESS OTHERWISE SPECIFIED USE D.G.C. SPECIFICATION 108-000028 FOR TOLERANCES AND WORKMANSHIP REQUIREMENTS. | DRW | R. A. C. JR. | DATE | DATA GENERAL CORPORATION 10 THURBURN MA 01546 TITLE I/O CHANNEL INTERLOCKED CHANNEL (MODEL # 4040) DRAWN BY CCC614 |
| | CHECKED | | | |
| | ENGINEER | | | |
| | APPROVED | | | |
| MATERIAL | | | | |
| FINISH | | | | |
| | | | | |

BRUNING 40-25E 20411