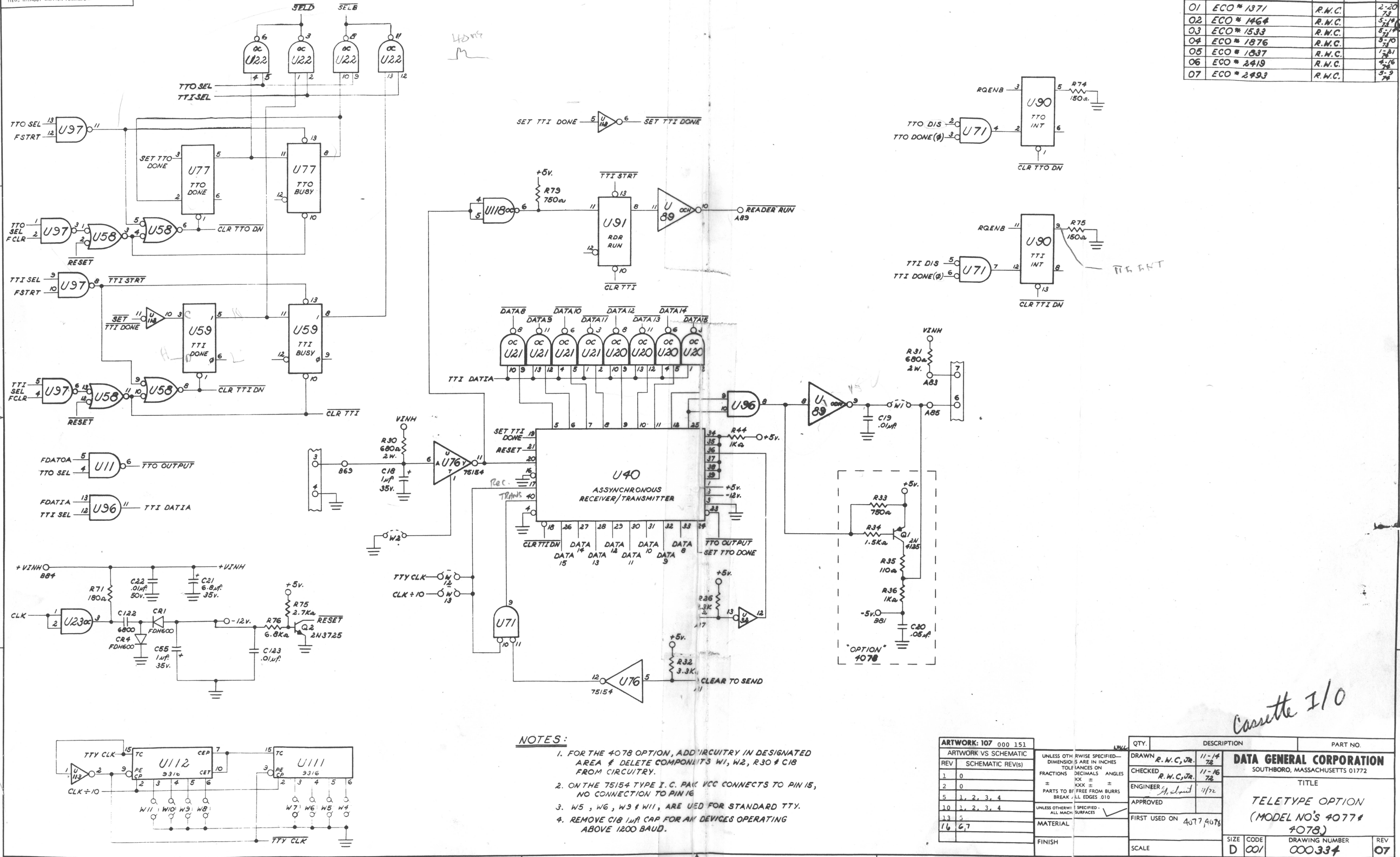


THIS DRAWING AND SPECIFICATIONS HEREIN ARE THE PROPERTY OF DATA GENERAL CORPORATION AND SHALL NOT BE REPRODUCED OR COPIED IN WHOLE OR IN PART AS THE BASIS FOR MANUFACTURE OR SALE OF ITEMS WITHOUT WRITTEN PERMISSION.

REVISIONS				
REV	DESCRIPTION	DRFTG	APP BY	DATE
01	ECO # 1371	R.W.C.		2-20 72
02	ECO # 1464	R.W.C.		5-21 72
03	ECO # 1533	R.W.C.		8-11 72
04	ECO # 1876	R.W.C.		3-10 73
05	ECO # 1837	R.W.C.		1-21 73
06	ECO # 2419	R.W.C.		4-16 73
07	ECO # 2493	R.W.C.		5-9 73



NOTES:

- FOR THE #078 OPTION, ADD CIRCUITRY IN DESIGNATED AREA & DELETE COMPONENTS W1, W2, R30 & C18 FROM CIRCUITRY.
- ON THE 75154 TYPE I.C. PAK VCC CONNECTS TO PIN 15, NO CONNECTION TO PIN 16
- W5, W6, W3 & W11, ARE USED FOR STANDARD TTY.
- REMOVE C18 1µF CAP FOR ALL DEVICES OPERATING ABOVE 1200 BAUD.

REV	DESCRIPTION
1	0
2	0
5	1, 2, 3, 4
10	1, 2, 3, 4
13	5
16	6, 7

QTY.	DESCRIPTION	PART NO.
	ARTWORK VS SCHEMATIC	
	SCHEMATIC REV(S)	
	DRAWN	R.W.C., JR. 11-14 72
	CHECKED	R.W.C., JR. 11-16 72
	ENGINEER	J. J. [Signature] 11/72
	APPROVED	
	FIRST USED ON	4077, 4078
	SCALE	
	DRAWING NUMBER	000334
	REV	07

Cassette I/O

DATA GENERAL CORPORATION
SOUTHBORO, MASSACHUSETTS 01772

TELETYPE OPTION
(MODEL NO'S 4077 & 4078)

SIZE CODE: D 001