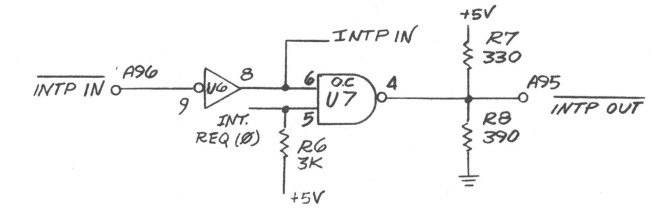
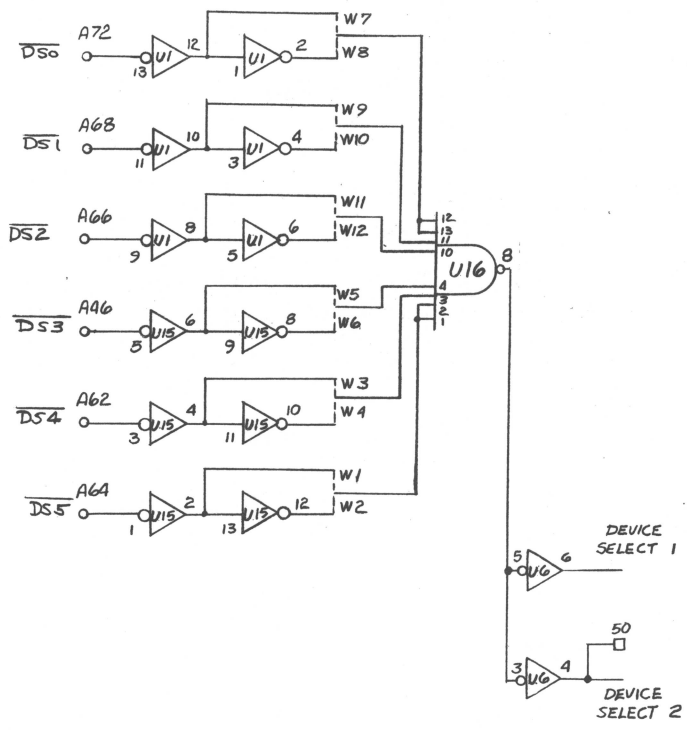
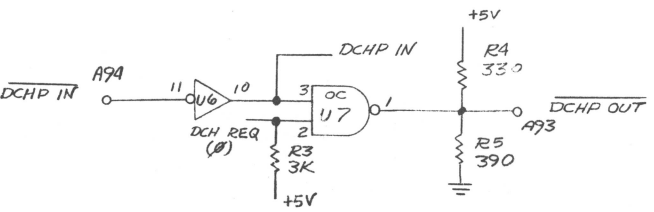
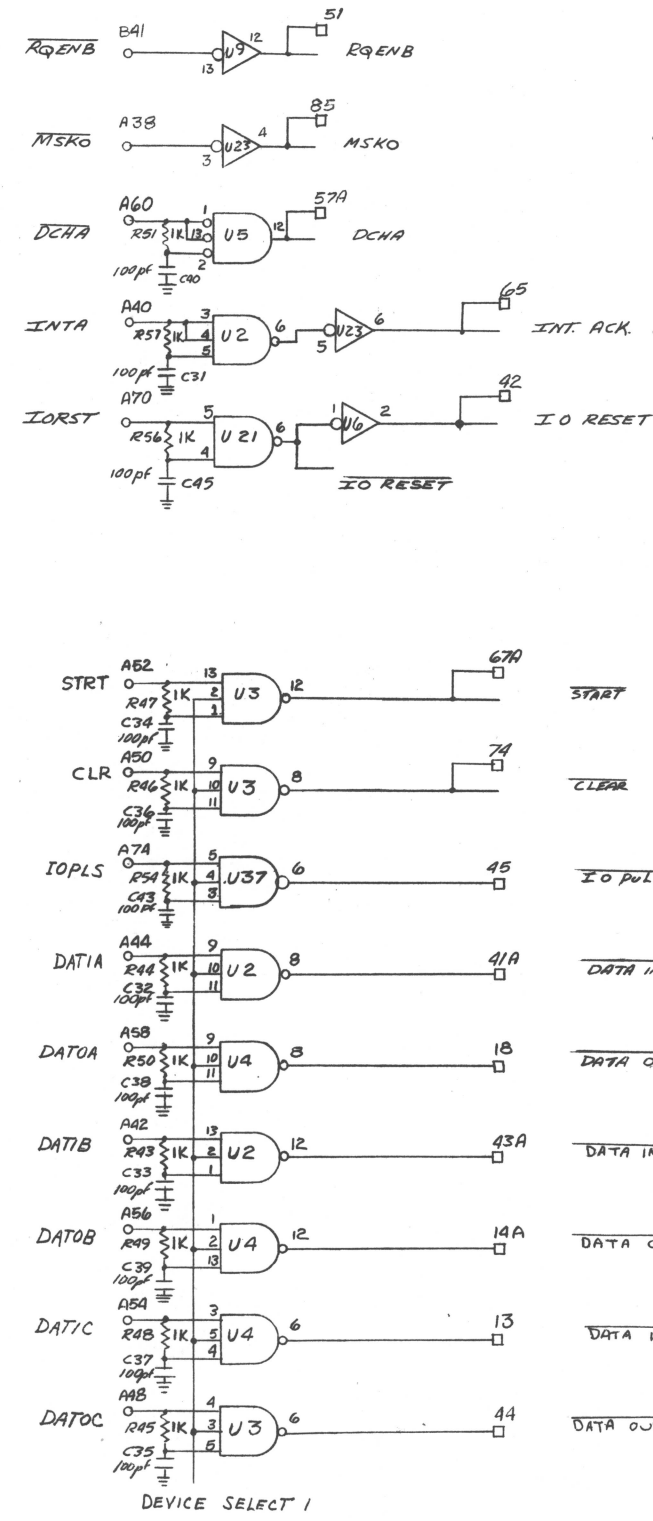
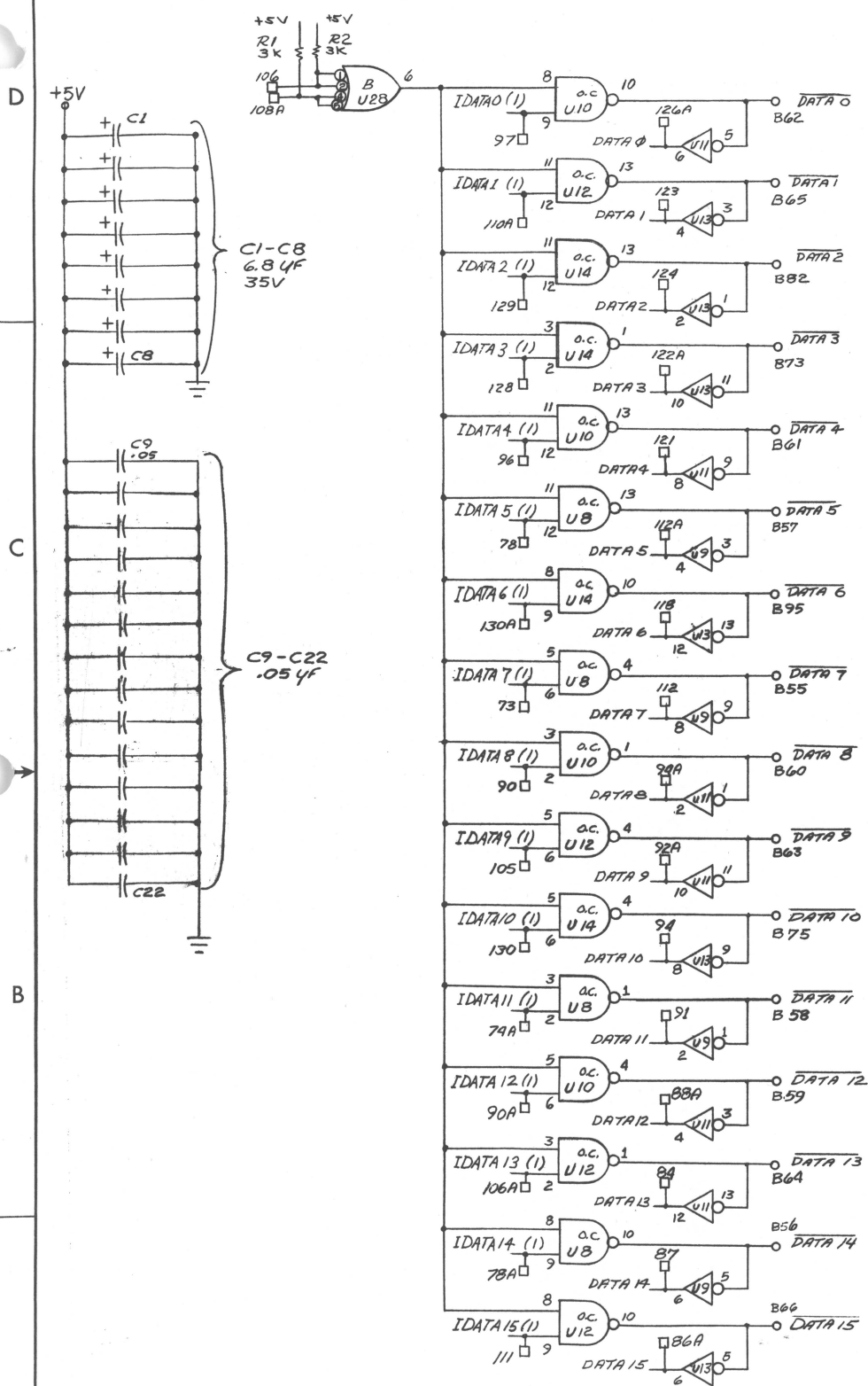


THIS DRAWING AND SPECIFICATIONS HEREIN, ARE THE PROPERTY OF DATA GENERAL CORPORATION AND SHALL NOT BE REPRODUCED OR COPIED OR USED IN WHOLE OR IN PART AS THE BASIS FOR MANUFACTURE OR SALE OF ITEMS WITHOUT WRITTEN PERMISSION.

REVISIONS				
REV.	DESCRIPTION	DRFTG.	APP BY	DATE
01	ADD FILTERS TO, DCHA, INTA, STRT, CLR, DATA, DATA B, DATA C, DATA D, DATA E, INT. ACK, I/O RESET, I/O PULSE, DEVICE SELECT	RNF		6/6/70
02	PERECO #107	RNF		11-24-71



QTY.	DESCRIPTION	PART NO.
	DRAWN	
	CHECKED	
	ENGINEER	
	APPROVED	
	FIRST USED ON	
	MATERIAL	
	FINISH	

DATA GENERAL CORPORATION			
TITLE			
(4090)			
I/O BOARD -			
I/O BUFFER &			
DEVICE SELECT			
SIZE	CODE	DRAWING NUMBER	REV
D	001	000051	02

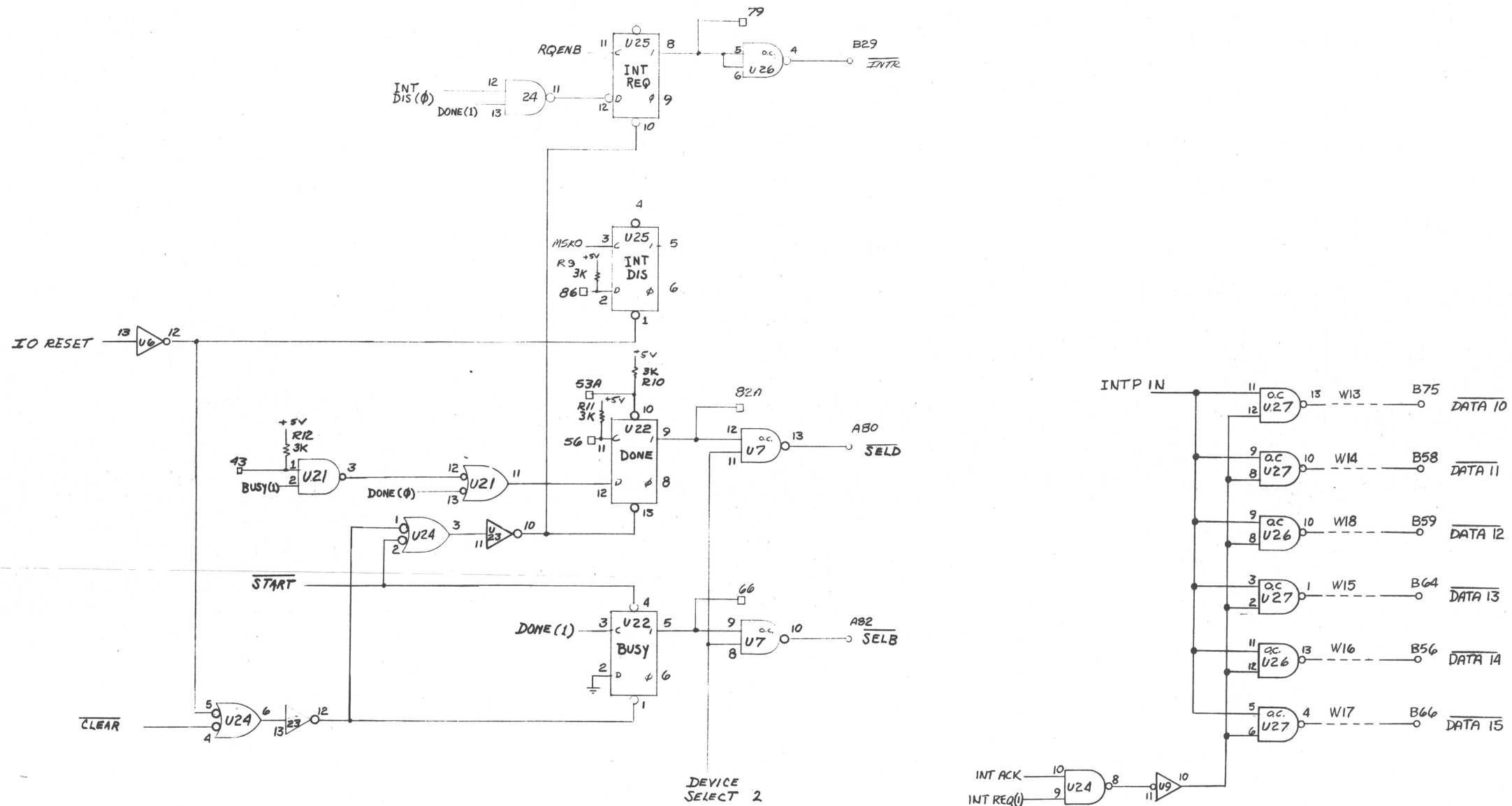
THIS DRAWING AND SPECIFICATIONS, HEREIN, ARE THE PROPERTY OF DATA GENERAL CORPORATION AND SHALL NOT BE REPRODUCED OR COPIED OR USED IN WHOLE OR IN PART AS THE BASIS FOR MANUFACTURE OR SALE OF ITEMS WITHOUT WRITTEN PERMISSION.

REVISIONS				
REV.	DESCRIPTION	DRFTG.	APP. BY	DATE
01	CORRECT INTERFACE PIN NO'S A61, A90, ADD IDRESET INVERTER, REWIRING IC'S	RNS		6/5/70
02	PER ECO #107	RNH		8-24-70

PINS AVAILABLE FOR INTERFACE

- A47 ○ □ 10
- A49 ○ □ 9
- A57 ○ □ 8A
- A59 ○ □ 8
- A61 ○ □ 34A
- A63 ○ □ 29
- A65 ○ □ 7
- A67 ○ □ 41
- A69 ○ □ 6A
- A71 ○ □ 48
- A73 ○ □ 49
- A75 ○ □ 49A
- A76 ○ □ 1
- A77 ○ □ 6
- A78 ○ □ 2
- A79 ○ □ 57
- A81 ○ □ 67
- A83 ○ □ 68A
- A84 ○ □ 2A
- A85 ○ □ 68
- A86 ○ □ 3
- A87 ○ □ 69
- A88 ○ □ 4
- A89 ○ □ 70A
- A90 ○ □ 4A
- A91 ○ □ 70
- A92 ○ □ 5

- B6 ○ □ 71
- B11 ○ □ 72A
- B13 ○ □ 72
- B15 ○ □ 76
- B19 ○ □ 83
- B23 ○ □ 84A
- B25 ○ □ 89
- B27 ○ □ 93
- B31 ○ □ 82
- B34 ○ □ 131
- B36 ○ □ 132A
- B38 ○ □ 132
- B40 ○ □ 133
- B48 ○ □ 134A
- B49 ○ □ 98A
- B51 ○ □ 104
- B52 ○ □ 134
- B53 ○ □ 135
- B54 ○ □ 136A
- B67 ○ □ 125
- B69 ○ □ 136



NOTE 1 □ DESIGNATES WIRE WRAP PIN
○ DESIGNATES EDGE CARD CONN.

I/O BOARD INTERRUPT CONTROL

QTY.	DESCRIPTION	PART NO.
	DRAWN	
	CHECKED	
	ENGINEER	
	APPROVED	
	FIRST USED ON	107 000054
	MATERIAL	
	FINISH	
	SHEET 2 OF 2	

DRAWN		DATA GENERAL CORPORATION	
CHECKED		(9010) TITLE	
ENGINEER		I/O BOARD	
APPROVED		INTERRUPT CONTROL	
SIZE	CODE	DRAWING NUMBER	REV.
D	001	000051	02