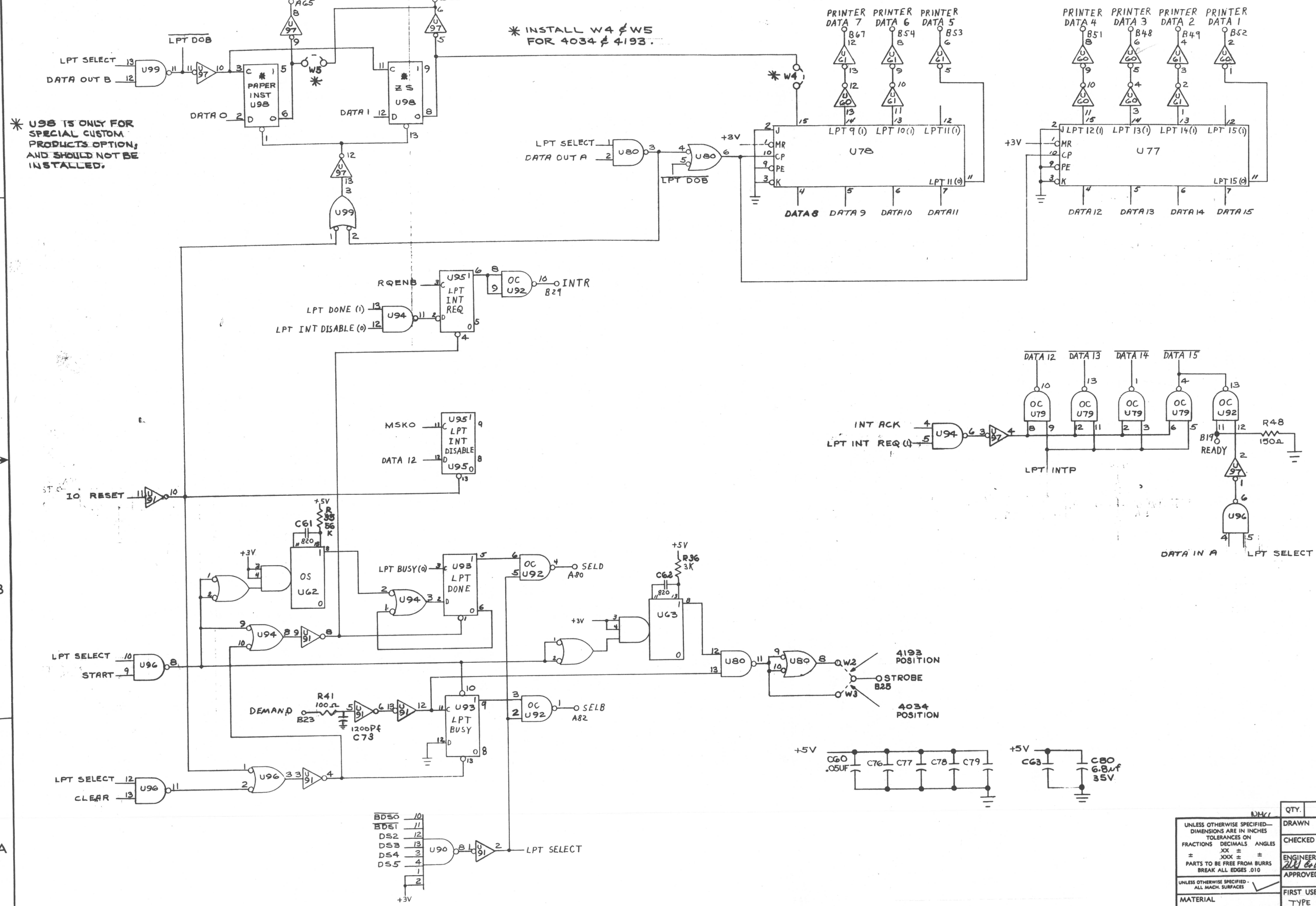


THIS DRAWING AND SPECIFICATIONS HEREIN ARE THE PROPERTY OF DATA GENERAL CORPORATION AND SHALL NOT BE REPRODUCED OR COPIED OR USED IN WHOLE OR IN PART AS THE BASIS FOR MANUFACTURE OR SALE OF ITEMS WITHOUT WRITTEN PERMISSION.

REVISIONS			
REV.	DESCRIPTION	DRFTG.	APP. BY DATE
01	1. ADD .100 Ω ± 1% 100 PF TO DEMAND INPUT		
	2. DELETE "LPT SELECT" FROM PIN 3 AND LPT INT REQ(1) TO PIN 5.		SBH 10/70
	1. ADD WIRE TO PROPRIETARY DCH P		DLR 10/70
	2. ADD +3V SOURCE		
02	3. CORRECT OUTPUT PINS ON BUSY FLOP		
03	ECO #1213, JUMPERS NO'S. W/ # W2 ADDED.		R.W.C. 12-27 (215)
04	ECO #1283, R35 10K Ω CHANGED TO 56K Ω, U98 PIN 5 CHANGED TO PIN 6, PIN 6 " " PIN 5.		R.W.C. 12-27
05	ECO #1310, JUMPER NO'S W/ # W2 CHANGED. W1 TO W2 & W2 TO W3.		R.W.C. 12-27
06	ECO #1613		R.W.C. 12-27
07	ECO #2428		REJ
08	ECO #2854		RDS 10/70
09	ECO #2941		ZASB



* U98 IS ONLY FOR SPECIAL CUSTOM PRODUCTS OPTION, AND SHOULD NOT BE INSTALLED.

* INSTALL W4 & W5 FOR 4034 & 4193.

UNLESS OTHERWISE SPECIFIED - DIMENSIONS ARE IN INCHES			
TOLERANCES ON FRACTIONS DECIMALS ANGLES			
± .005	± .010	± .015	± .020
PARTS TO BE FREE FROM BURRS - BREAK ALL EDGES .010			
UNLESS OTHERWISE SPECIFIED - ALL MACH. SURFACES			
FINISH	SCALE	FIRST USED ON TYPE 4034	APPROVED
DRAWN		CHECKED	
ENGINEER		APPROVED	
QTY.	DESCRIPTION	PART NO.	
		DATA GENERAL CORPORATION SOUTHBORO, MASSACHUSETTS 01772	
TITLE		REV.	
LINE PRINTER CONTROL (DATA PRODUCTS 2310, 2410)		08	
SIZE	CODE	DRAWING NUMBER	
D	001	000086	

REV.	DESCRIPTION	DATE
1		
2		
3		
4		
5		
6		
7		
8		
9		
10		