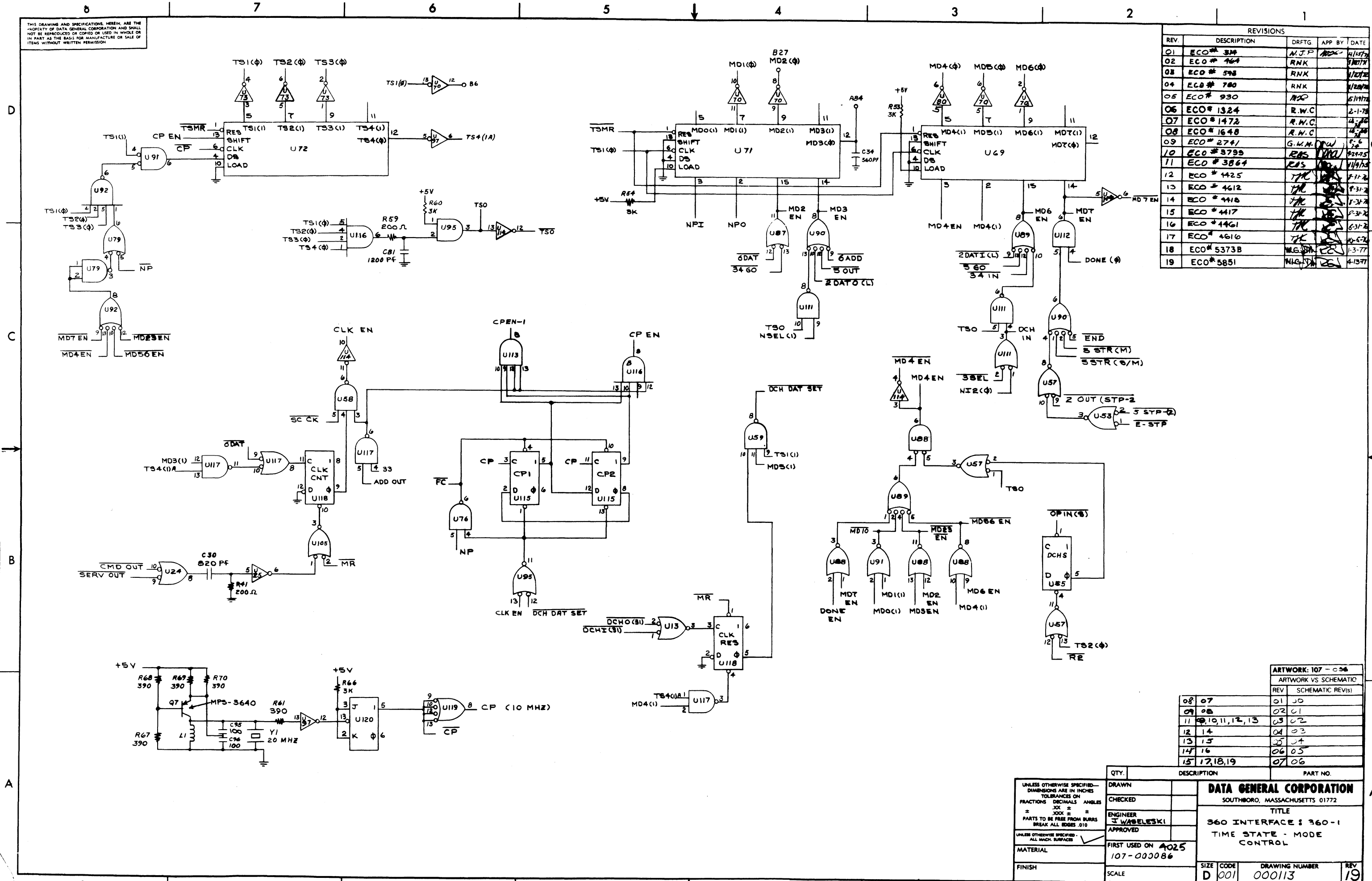


THIS DRAWING AND SPECIFICATIONS, HEREIN, ARE THE PROPERTY OF DATA GENERAL CORPORATION AND SHALL NOT BE REPRODUCED OR COPIED OR USED IN WHOLE OR IN PART AS THE BASIS FOR MANUFACTURE OR SALE OF ITEMS WITHOUT WRITTEN PERMISSION.



REVISIONS				
REV.	DESCRIPTION	DRFTG	APP BY	DATE
01	ECO # 334	M.J.P.		1/15/77
02	ECO # 464	RNK		1/20/77
03	ECO # 598	RNK		1/20/77
04	ECO # 780	RNK		1/20/77
05	ECO # 930	MS		5/19/78
06	ECO # 1324	R.W.C.		2-1-78
07	ECO # 1472	R.W.C.		2-1-78
08	ECO # 1648	R.W.C.		2-1-78
09	ECO # 2741	G.W.M.		5-5-78
10	ECO # 3799	RAS		8-28-78
11	ECO # 3864	RAS		11/1/78
12	ECO # 1425	JH		1-31-78
13	ECO # 4612	JH		1-31-78
14	ECO # 4418	JH		1-31-78
15	ECO # 4417	JH		1-31-78
16	ECO # 4461	JH		1-31-78
17	ECO # 4610	JH		1-31-78
18	ECO # 5373B	M.G.		1-3-77
19	ECO # 5851	NIG		4-13-77

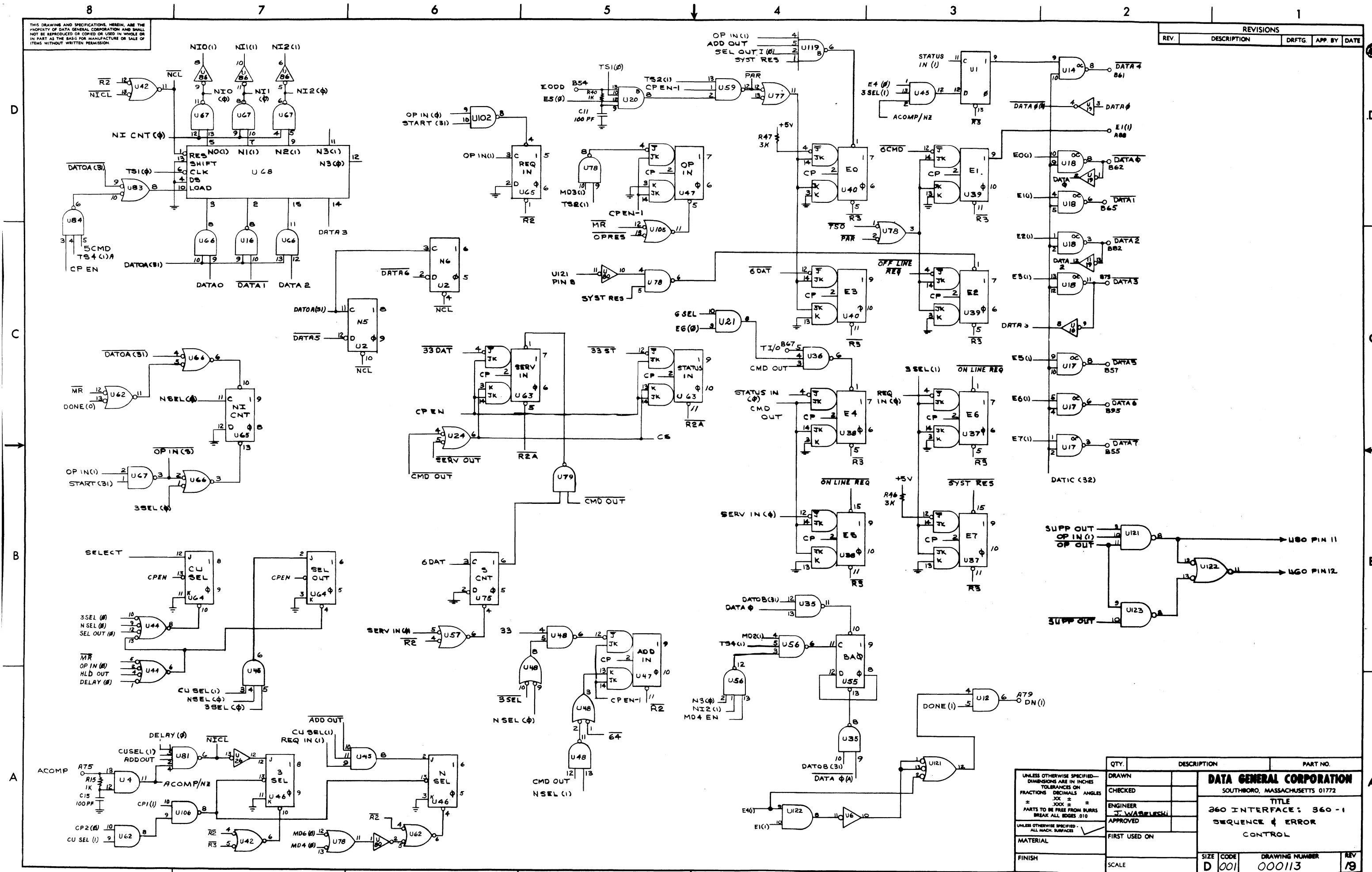
ARTWORK: 107-006	
ARTWORK VS SCHEMATIC	
REV	SCHEMATIC REVIS
08	07
09	08
11	10, 11, 12, 13
12	14
13	15
14	16
15	17, 18, 19

QTY.	DESCRIPTION	PART NO.
	<b>DATA GENERAL CORPORATION</b>	
	SOUTHBORO, MASSACHUSETTS 01772	
	TITLE	
	360 INTERFACE: 360-1	
	TIME STATE - MODE CONTROL	
	FIRST USED ON	DRAWING NUMBER
	107-000086	000113
	SCALE	REV
		19



THIS DRAWING AND SPECIFICATIONS, HEREIN, ARE THE PROPERTY OF DATA GENERAL CORPORATION AND SHALL NOT BE REPRODUCED OR COPIED OR USED IN WHOLE OR IN PART AS THE BASIS FOR MANUFACTURE OR SALE OF ITEMS WITHOUT WRITTEN PERMISSION.

REVISIONS			
REV.	DESCRIPTION	DRFTG.	APP. BY DATE



QTY.	DESCRIPTION	PART NO.

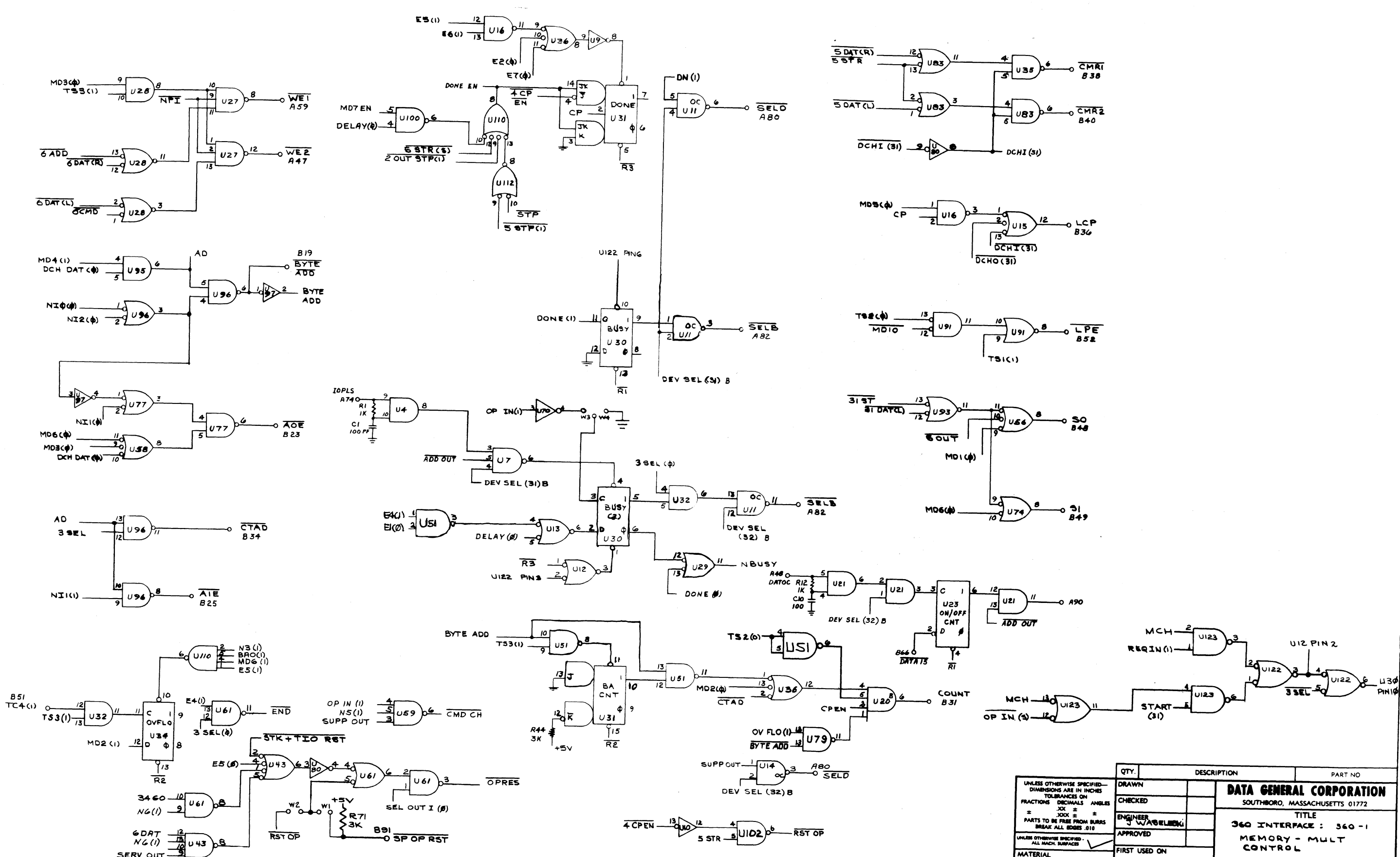
  

UNLESS OTHERWISE SPECIFIED - DIMENSIONS ARE IN INCHES - TOLERANCES ON FRACTIONS DECIMALS ANGLES			
= .0005" = .0005" = .0005"			
PARTS TO BE FREE FROM BURRS - BREAK ALL EDGES .010			
UNLESS OTHERWISE SPECIFIED - ALL MACH SURFACES			
MATERIAL			
FINISH			
SCALE	SIZE	CODE	DRAWING NUMBER
	D	001	000113
			REV 19



THIS DRAWING AND SPECIFICATIONS HEREIN ARE THE PROPERTY OF DATA GENERAL CORPORATION AND SHALL NOT BE REPRODUCED OR COPIED OR USED IN WHOLE OR IN PART AS THE BASIS FOR MANUFACTURE OR SALE OF ITEMS WITHOUT WRITTEN PERMISSION.

REVISIONS				
REV	DESCRIPTION	DRFTG	APP BY	DATE



QTY.	DESCRIPTION	PART NO

UNLESS OTHERWISE SPECIFIED— DIMENSIONS ARE IN INCHES TOLERANCES ON FRACTIONS DECIMALS ANGLES ± .005 ± .010 ± .020 PARTS TO BE FREE FROM BURRS BREAK ALL EDGES .010		<b>DATA GENERAL CORPORATION</b> SOUTHBORO, MASSACHUSETTS 01772 TITLE <b>360 INTERFACE : 360 - 1</b> MEMORY - MULT CONTROL
DRAWN		
CHECKED		
ENGINEER		
APPROVED		
FIRST USED ON		
MATERIAL		
FINISH		
SCALE		
SIZE	CODE	DRAWING NUMBER
D	001	000113
		REV
		19